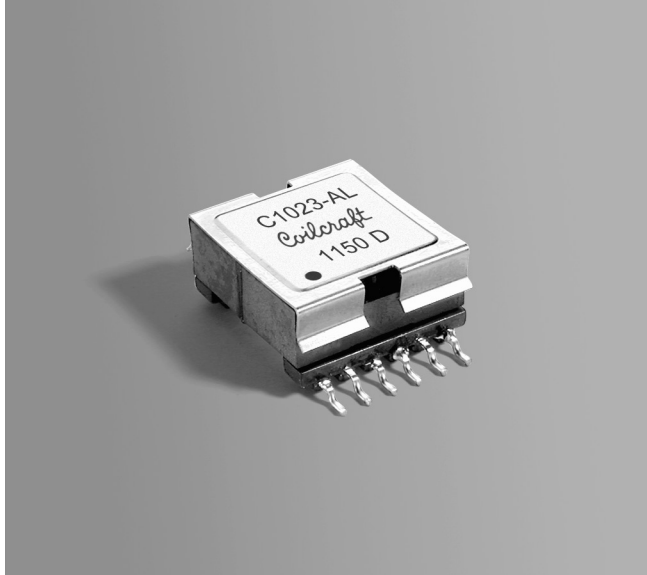




PoE Transformer

For National Semiconductor LM5070 PoE Interface



- Developed for the NSC LM5070 PD Interface in 13W applications.
- Operates at frequencies up to 1 MHz
- Input: 36–72 V; Output: 3.3V, 4.5A, with secondary windings connected in parallel
- Isolation: 1500 Vrms from the primary and auxiliary windings to the secondary.

Core material Ferrite

Terminations RoHS tin-silver (96.5/3.5) over tin over nickel over phos bronze. Other terminations available at additional cost.

Weight 12.4 g

Ambient temperature –40°C to +85°C

Storage temperature Component: –40°C to +85°C.

Tape and reel packaging: –40°C to +80°C

Resistance to soldering heat Max three 40 second reflows at +260°C, parts cooled to room temperature between cycles

Moisture Sensitivity Level (MSL) 1 (unlimited floor life at <30°C / 85% relative humidity)

Mean Time Between Failures (MTBF) / Failures in Time (FIT)

26,315,789 hours / 38 per billion hours, Calculated per Telcordia SR-322

Packaging 175 per 13" reel Plastic tape: 44 mm wide, 0.4 mm thick, 32 mm pocket spacing, 11.9 mm pocket depth

PCB washing Tested with pure water or alcohol only. For other solvents, see Doc787_PCB_Washing.pdf

| Part number ¹ | L at 0 A ² ±10% (µH) | L at Ipk ³ ±10% (µH) | DCR max (Ohms) ⁴ | | | Leakage L (µH) ⁵ | Turns ratio ⁶ | | Capacitance ⁷ (pF) | Ipk ³ (A) | Isolation ⁸ (Vrms) |
|--------------------------|------------------------------------|------------------------------------|-----------------------------|-------|-------|-----------------------------|--------------------------|-----------|----------------------------------|-------------------------|----------------------------------|
| | | | pri | aux | sec | | pri : sec | pri : aux | | | |
| C1023-AL_ | 110 | 99.0 | 0.139 | 0.656 | 0.016 | 1.40 | 1 : 0.19 | 1 : 0.69 | 70 | 1.5 | 1500 |

1. When ordering, please specify a **packaging** code:

C1023-ALD

Packaging: D = 13" machine ready reel. EIA-481 embossed plastic tape (175 per full reel).

B = Less than full reel. In tape, but not machine ready. To have a leader and trailer added (\$25 charge), use code letter D instead.

2. Inductance is for the primary, measured at 10 kHz, 0.1 Vrms, 0 Adc.

3. Ipk is the peak current drawn at minimum input voltage.

4. DCR for the secondary is per winding.

5. Leakage inductance is for the primary winding with all other pins shorted.

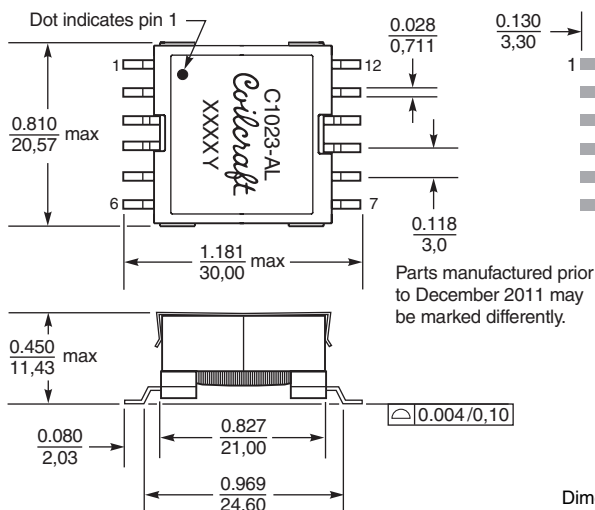
6. Turns ratio is with the secondary windings connected in parallel.

7. Capacitance measured between pins 3 and 4 with other pins shorted.

8. Isolation is measured from the primary and aux to the secondary.

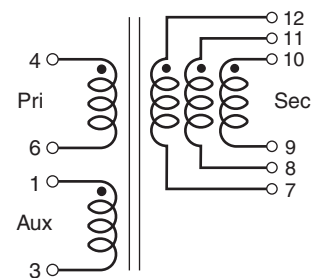
9. Electrical specifications at 25°C.

Refer to Doc 362 "Soldering Surface Mount Components" before soldering.



Dimensions are in $\frac{\text{inches}}{\text{mm}}$

Recommended Land Pattern



Secondary windings to be connected in parallel on PC board.



www.coilcraft.com

US +1-847-639-6400 sales@coilcraft.com
UK +44-1236-730595 sales@coilcraft-europe.com
Taiwan +886-2-2264 3646 sales@coilcraft.com.tw
China +86-21-6218 8074 sales@coilcraft.com.cn
Singapore + 65-6484 8412 sales@coilcraft.com.sg

Document 423 Revised 12/21/11

© Coilcraft Inc. 2013

This product may not be used in medical or high risk applications without prior Coilcraft approval. Specification subject to change without notice. Please check web site for latest information.