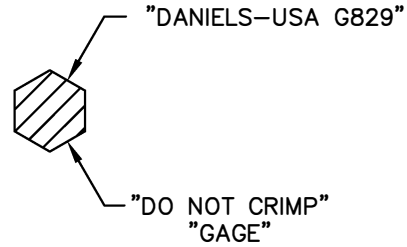
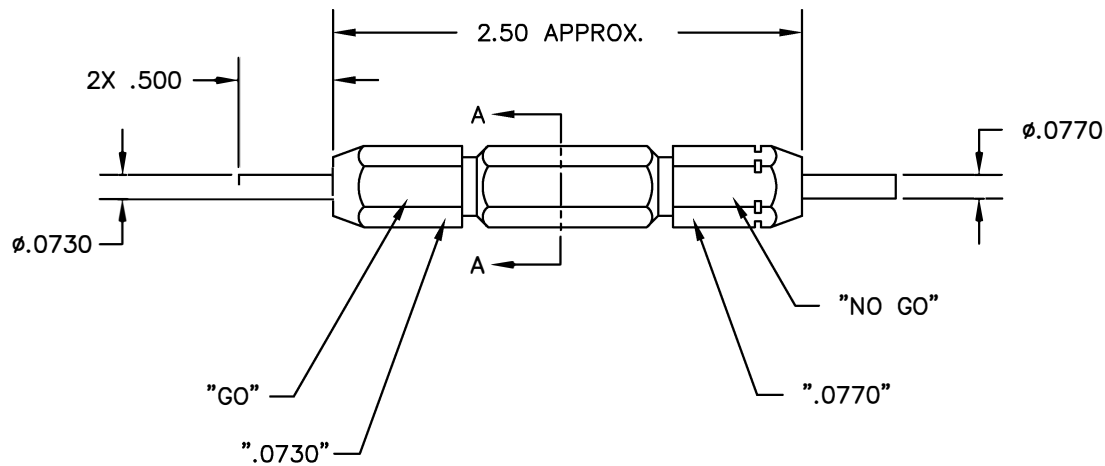



REVISIONS				
REV. SYM.	E.C.O. NUMBER	DESCRIPTION	BY DATE	APP'D DATE
1		ORIGINAL RELEASE	JWJ 9/13/01	RRR 9/13/01



SECTION A-A



**UNCONTROLLED DOCUMENT  
WILL NOT BE UPDATED**

<b>RESTRICTED &amp; CONFIDENTIAL</b>		MATERIAL		ITEM	PART NO.	QTY.	DESCRIPTION/REMARKS				
CONFIDENTIAL PROPERTY OF DANIELS MANUFACTURING CORP. NOT TO BE DISCLOSED TO OTHERS, REPRODUCED OR USED FOR ANY OTHER PURPOSE, EXCEPT AS AUTHORIZED IN WRITING BY DANIELS MANUFACTURING. MUST BE RETURNED TO DANIELS MANUFACTURING CORP. ON COMPLETION OF ORDER OR OTHER PURPOSE FOR WHICH LENT.		HEAT TREAT		DRN.	J. JOYCE	DATE	 DANIELS MANUFACTURING CORP. ORLANDO, FLORIDA CAGE 11851				
				CHK'D.	RRR	DATE		9/13/01			
				FINISH		APP'D.		DATE		TITLE	GO/NO-GO GAGE ENVELOPE DRAWING
						APP'D.		DATE		WHERE USED:	
DO NOT SCALE DRAWING		FINISH		NOTE:			SIZE	SCALE	CAD P/N	SHEET	OF
				THIS DRAWING IS AN OUTLINE DRAWING OF THE RESPECTIVE DMC PART NUMBER INDICATED. ACTUAL DMC PART NUMBER IS DRAWING NUMBER WITHOUT THE "-ENV" SUFFIX.			B	NTS	G829-ENV	1	1
				POSTING	DWG. NO.	REV.					
							G829-ENV				1