

**FEATURES**

- ※2.0mm height
- ※1P2T model
- ※Reflow solderable

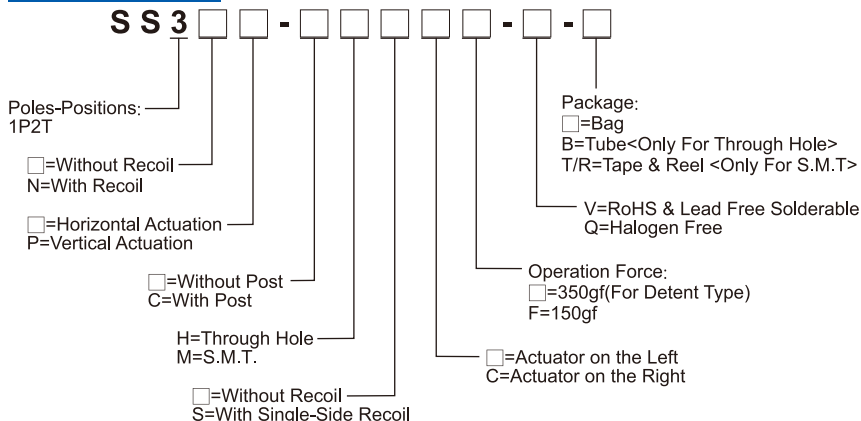
**APPLICATION**

- ※Remote control
- ※Consumer electronics
- ※Instrumentations

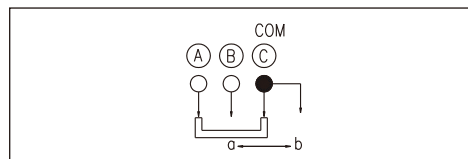
**SPECIFICATION**

Contact Rating	25mA, 24V DC
Contact Resistance	100mΩ max.
Insulation Resistance	100MΩ min. 500V DC
Dielectric Strength	500V AC/1 minute
Operating Force	100gf min./350gf max.(Detent Type) 150±100gf(Recoil Type)
Travel	2mm
Operating Life	10,000 cycles
Operating Temp.	-20°C ~ +70°C
Storage Temp.	-40°C ~ +85°C

**HOW TO ORDER**



**CIRCUIT**

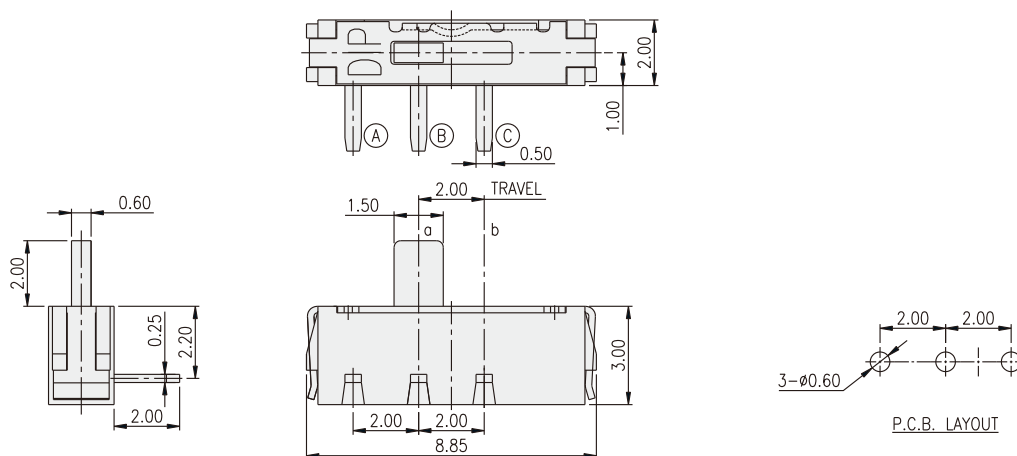


**PACKAGE**

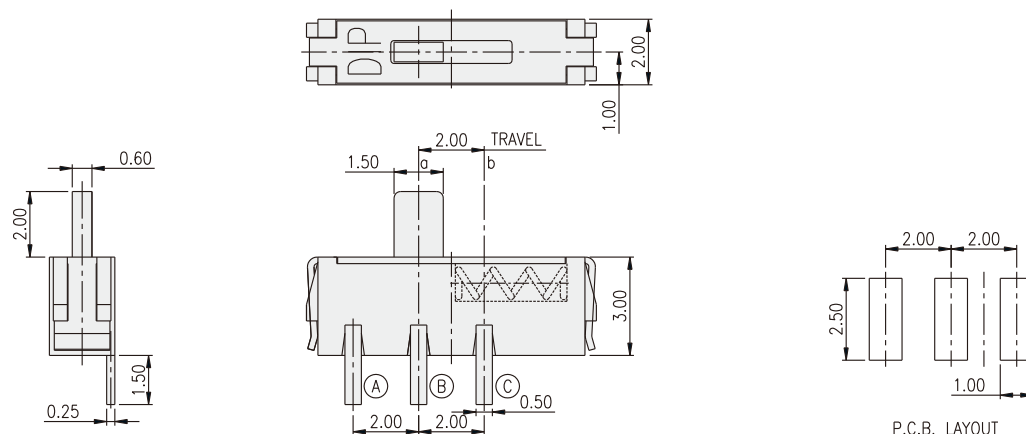
- <Bag>  
2000 pcs
- <Tube>  
53 pcs
- <Tape & Reel>  
SS3-CM: 1900 pcs  
SS3NP: 1000 pcs

SLIDE SWITCH

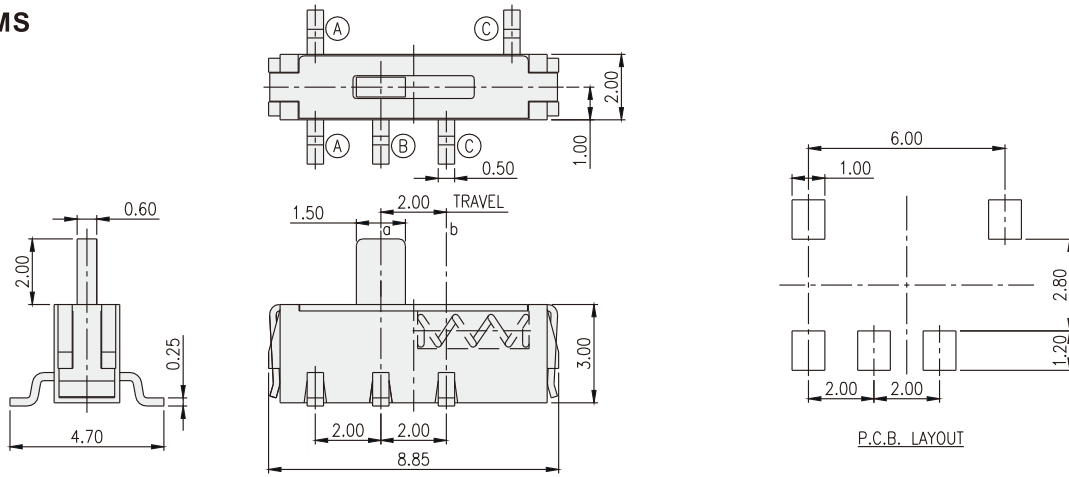
**SS3-H**



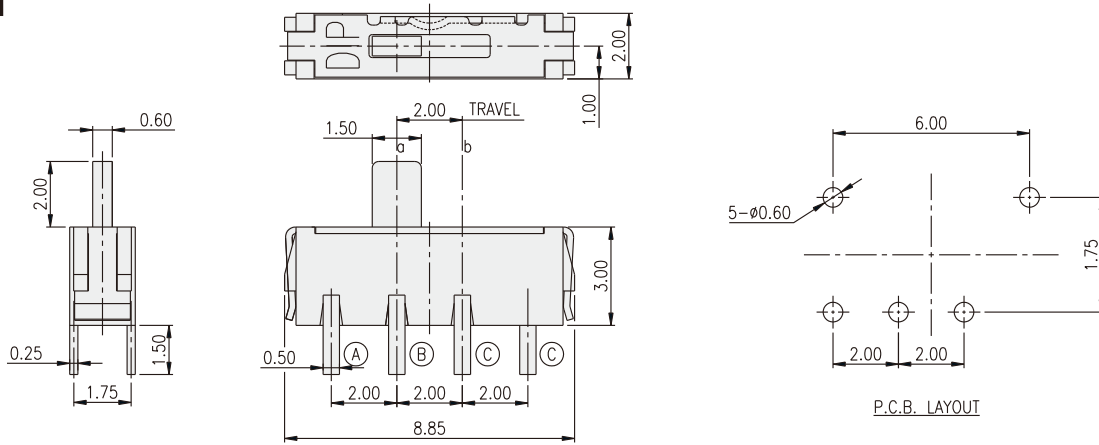
**SS3N-MS**



**SS3NP-MS**



**SS3P-H**



**SS3-CM**

