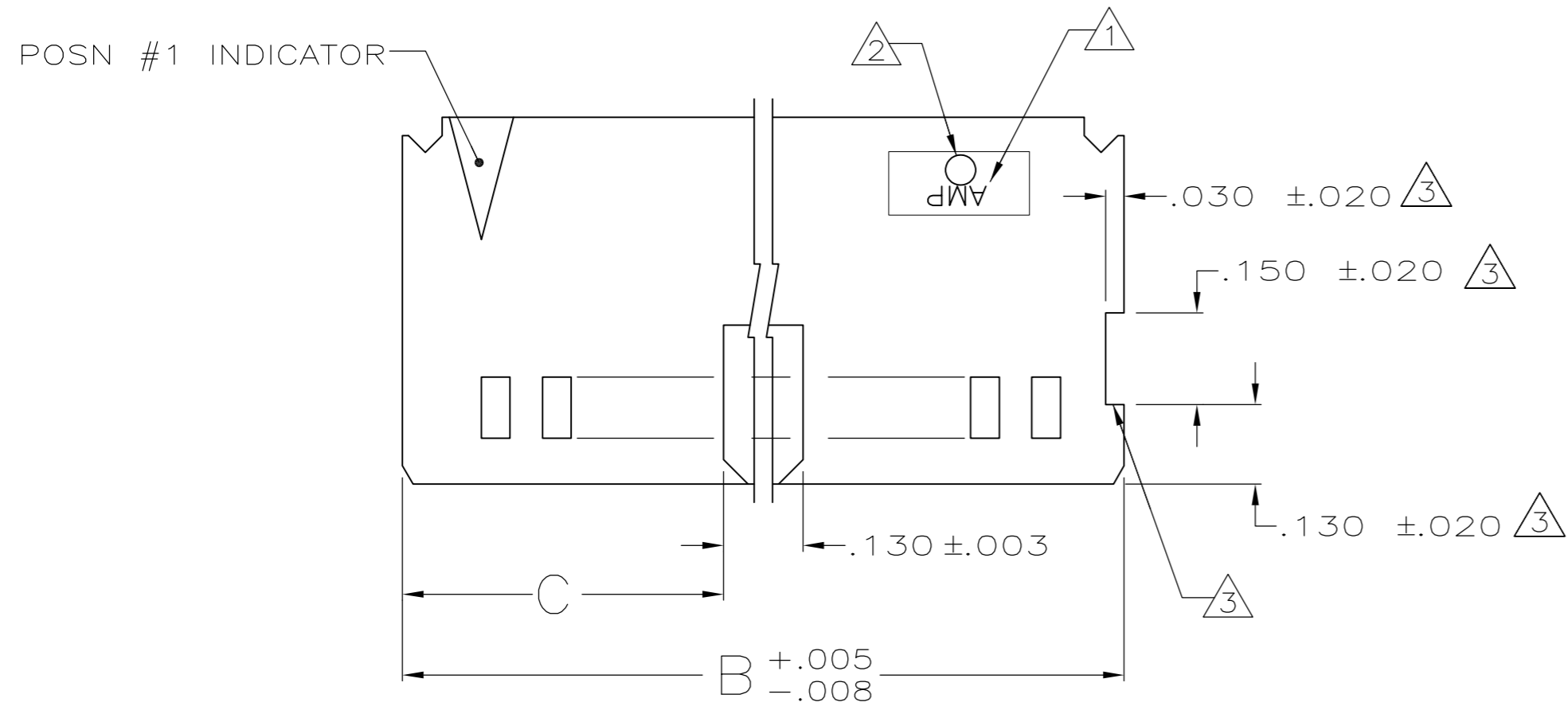
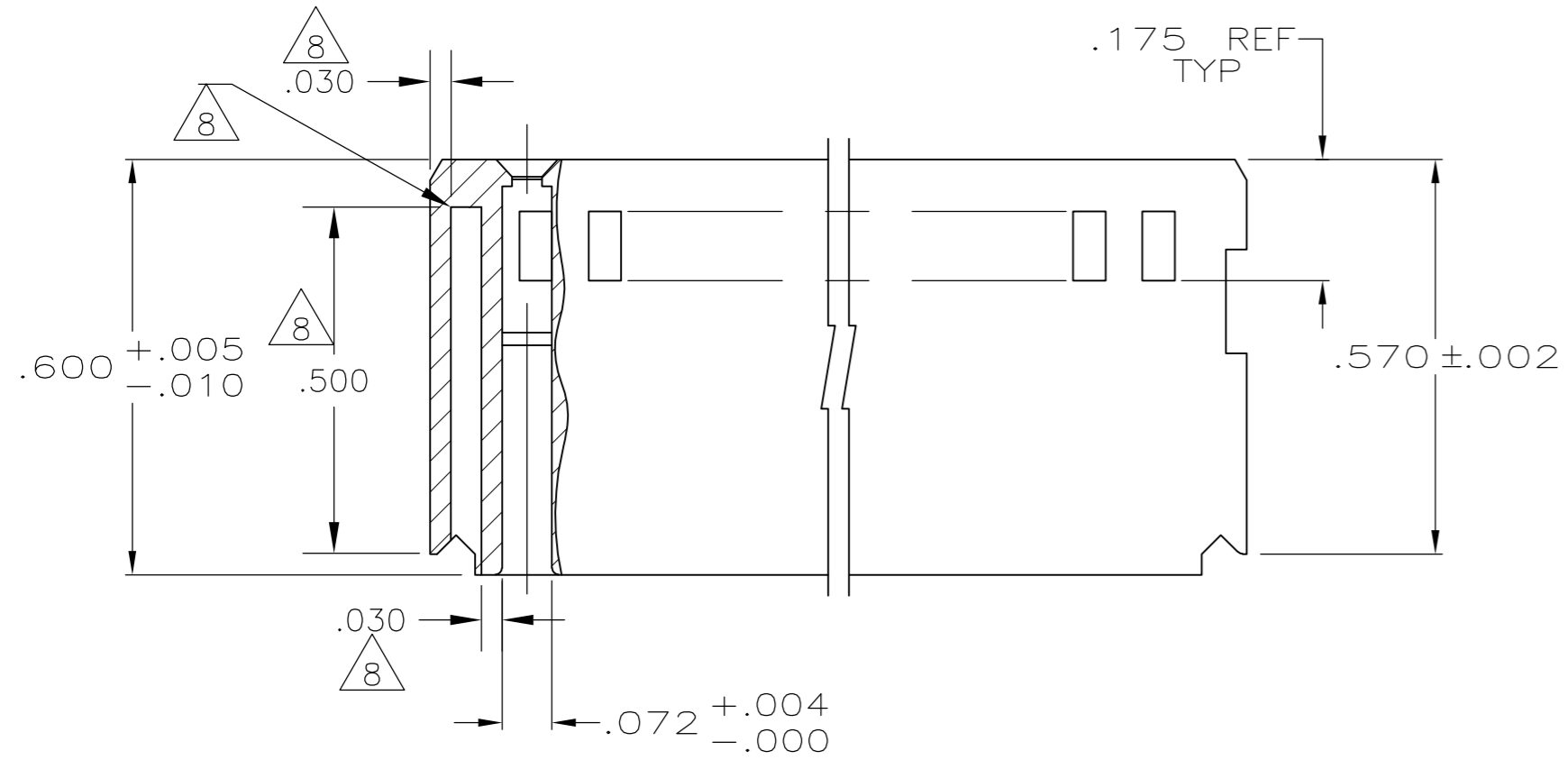
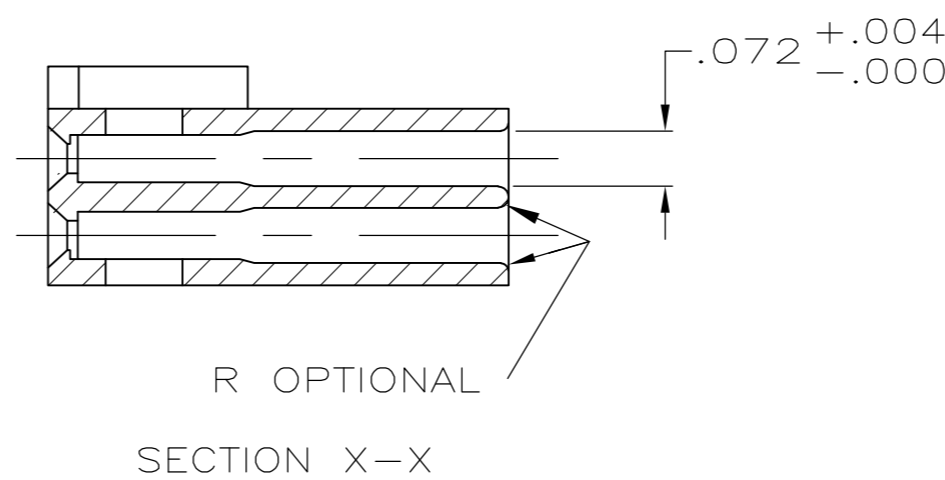
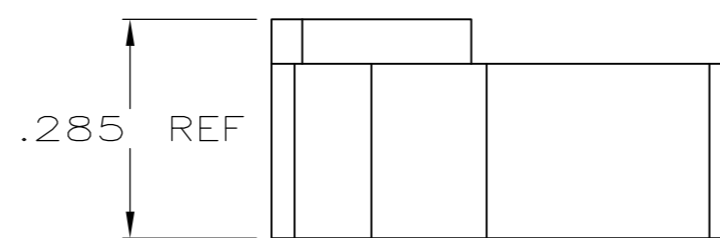
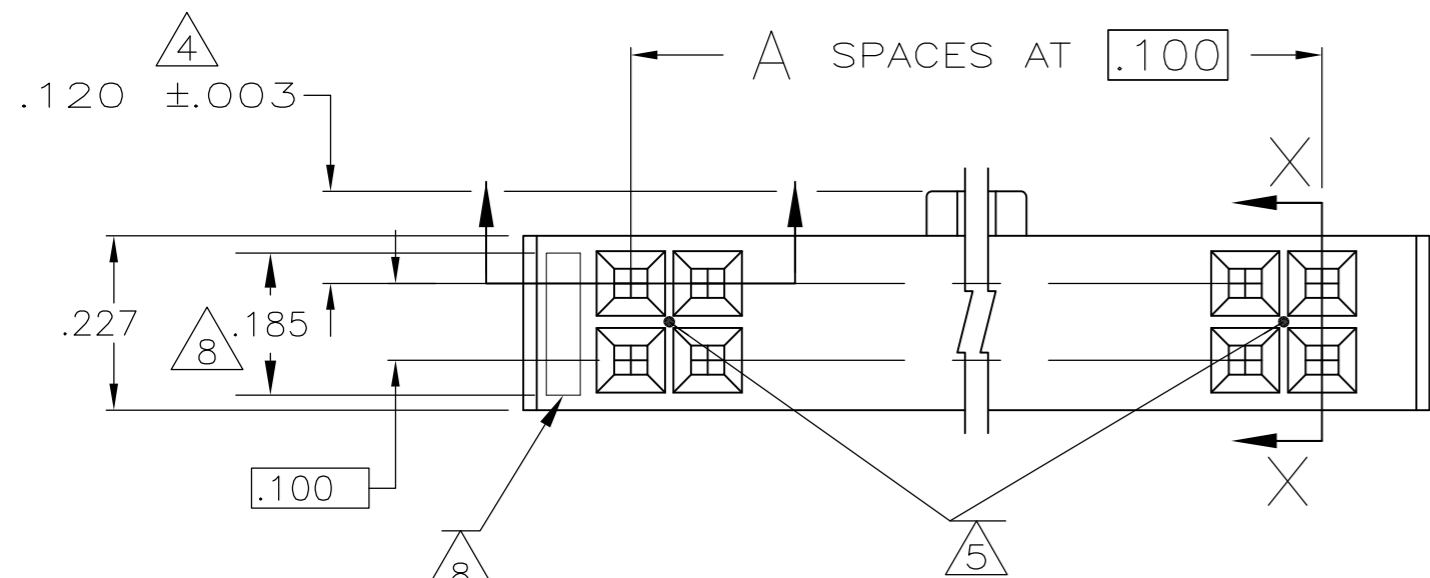


THIS DRAWING IS UNPUBLISHED. RELEASED FOR PUBLICATION
 © COPYRIGHT - By - ALL RIGHTS RESERVED.

LOC		DIST		REVISIONS			
P	LTR	DESCRIPTION		DATE	DWN	APVD	
AD	39	S2	REVISED PER ECO-11-010839	25MAY11	RK	HMR	



- 1 AMP TRADEMARK (MOLDED IN) .062±.015 HIGH CHARACTERS LOCATED APPROX AS SHOWN
- 2 MOLD CAVITY IDENT (MOLDED IN) .046±.015 HIGH CHARACTERS LOCATED APPROX AS SHOWN
- 3 RECESSED AREA AROUND MOLD GATE IS OPTIONAL. THIS FEATURE IS ALLOWABLE ON EITHER SIDE OF HOUSING OR MAY NOT BE PRESENT AT ALL.
- 4 COORDINATE DIMENSION APPLIES FROM CENTER OF FIRST ACTUAL FEATURE
- 5 RECESSED AREA AROUND GATE PERMISSIBLE. THIS FEATURE IS ALONG CENTERLINE OF MATING FACE.
- 6. WHEN MATING WITH AMP-LATCH UNIVERSAL HEADERS, P/N 1825851-1 MUST BE USED. PURCHASE SEPARATELY WITH HEADER- 2 REQUIRED.
- 7 OBSOLETE PARTS: OBSOLETE CIS STREAMLINING PER D.RENAUD/D.SINISI
- 8 VOID CORING IS OPTIONAL, AT MOLDER'S DISCRETION.



SIZE	CAGE CODE	DRAWING NO	RESTRICTED TO
7	OBSOLETE	.575 1.280 10 22	4-102387-5
		.225 .580 3 8	1-102387-4
		1.125 2.380 21 44	1-102387-3
		1.625 3.380 31 64	1-102387-2
		1.525 3.180 29 60	1-102387-1
		1.275 2.680 24 50	1-102387-0
		1.025 2.180 19 40	102387-9
		.875 1.880 16 34	102387-8
		.775 1.680 14 30	102387-7
		.675 1.480 12 26	102387-6
		.625 1.380 11 24	102387-5
		.525 1.180 9 20	102387-4
		.425 .980 7 16	102387-3
		.375 .880 6 14	102387-2
		.275 .680 4 10	102387-1
C	B	A	NO. OF POSN
			PART NO.

THIS DRAWING IS A CONTROLLED DOCUMENT.		DWN B MOYER 5-17-89		
DIMENSIONS: INCHES		CHK K. HELM 6-13-89		
TOLERANCES UNLESS OTHERWISE SPECIFIED:		APVD -	NAME	
0 PLC ± -		PRODUCT SPEC -	HOUSING, CRIMP SNAP-IN, SHORT ENTRY, MOD IV	
1 PLC ± -		APPLICATION SPEC -	SIZE A2	CAGE CODE 00779
2 PLC ± -		WEIGHT -	DRAWING NO C=102387	RESTRICTED TO -
3 PLC ± .005		CUSTOMER DRAWING	SCALE 4:1	SHEET 1 of 1
4 PLC ± -			REV S2	
ANGLES ± -				
FINISH -				
MATERIAL FLAME RETARDANT THERMOPLASTIC COLOR: BLACK PER ASTM D4066				