

FPC-7100

Robust Box PC with Intel® Pentium® M/Celeron® M Platform



Features

- Fanless Design
- Wide Range DC Power Input (10 ~28V)
- Rugged Design for Shock/Vibration Protection
- Rich Onboard I/O and Expansion Slots (1 x PCI, 1 x Mini-card)
- Easy Installation/Maintenance

System

CPU	Intel® Socket 479 Celeron® M/Pentium® M CPU up to 1.8GHz with 400MHz FSB
Memory	2 x 240-pin DDR2 DIMM Sockets up to 2GB at 400MHz
Chipset	Intel® 910GML E + ICH6M
Graphics	Integrated with Intel® Graphics Media Accelerator (GMA900)
ATA	1 x Ultra ATA100 1 x Serial ATA port with 150MB/s HDD transfer rate
LAN Chipset	2 x Realtek RTL8111 Gigabit Ethernet controllers
Watchdog Timer	1~255 level reset

I/O

Serial Port	1 x DB-44 female connector Support 4 x RS-232 ports + 1 x 4-bit GPIO 2 in/2 out (1 x RS-422/485 port shared with COM2)
USB Port	6 x USB 2.0 ports
LAN	2 x RJ-45 ports for Gigabit Ethernet
KB/MS	1 x 6-pin Mini-DIN for Keyboard and Mouse
Video Port	1 x DB-15 female connector for Analog RGB
Selectable Port	Either of DVI or Digital I/O or LPT DVI-D female connector for Digital Video Output 1 x 12-bit Digital I/O: 6 in/6 out SPP/EPP/ECP mode for LPT
Audio	Mic-in/Line-out (6W pre-amplified)
Expansion Bus	1 x PCI slot w/ riser card 1 x Mini-card slot

Environmental

Operating Temp.	-20 ~ 55°C (-4 ~ 131°F), ambient w/ air flow
Storage Temp.	-40 ~ 85°C (-40 ~ 185°F)
Relative Humidity	10 ~ 95% @ 40°C (non-condensing)
Vibration	3 Grms/5~500Hz/random operation
Shock & Crash	Operating 20G (11ms), Non-operating 40G with HDD Operating 40G (11ms), Non-operating 60G with CF/SSD Crash 80G (11ms)

Qualification

Certification	CE, FCC
----------------------	---------

Power Requirement

Power Input	DC 10~28V input (w/ 4-pin DC input terminal block combine remote power on/off switch)
Power Consumption	50W (Max.)

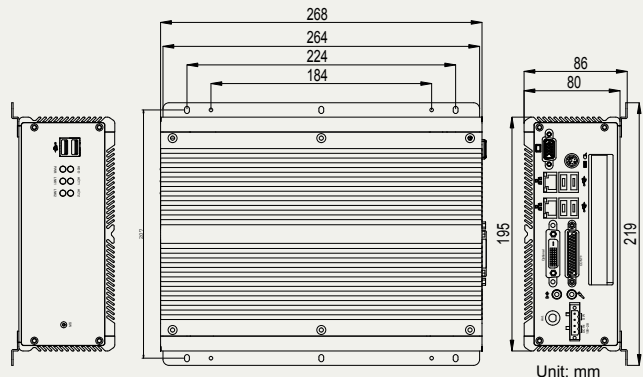
Storage

Type	1 x 2.5" drive bay for HDD/SSD 1 x CompactFlash Type II Socket
-------------	---

Mechanical

Construction	Aluminum alloy
Mounting	Support wall-mounting
Weight	3.87 kg (8.5 lb)
Dimensions (W x D x H)	195 x 268 x 80 mm (7.68" x 10.55" x 3.15")

Drawing



Ordering Information

FPC-7100	Barebone system w/o storage device, CPU, memory
FPC-7100/CM1500	Barebone system w/ Celeron® M 370
DRK-001	Din rail kit of FPC series
WMK-7000	Wall-mount kit of FPC-7XXX
CBL-7100-COM	COM converter cable (1*44-pin male to 4*DB-9 female + 1 x DB-9 female) L=200mm
PAC-B065W	65W AC/DC adapter kit
PAC-B120W	120W AC/DC adapter kit
SSD-25080	Intel® 2.5" 80GB SATAII SSD kit