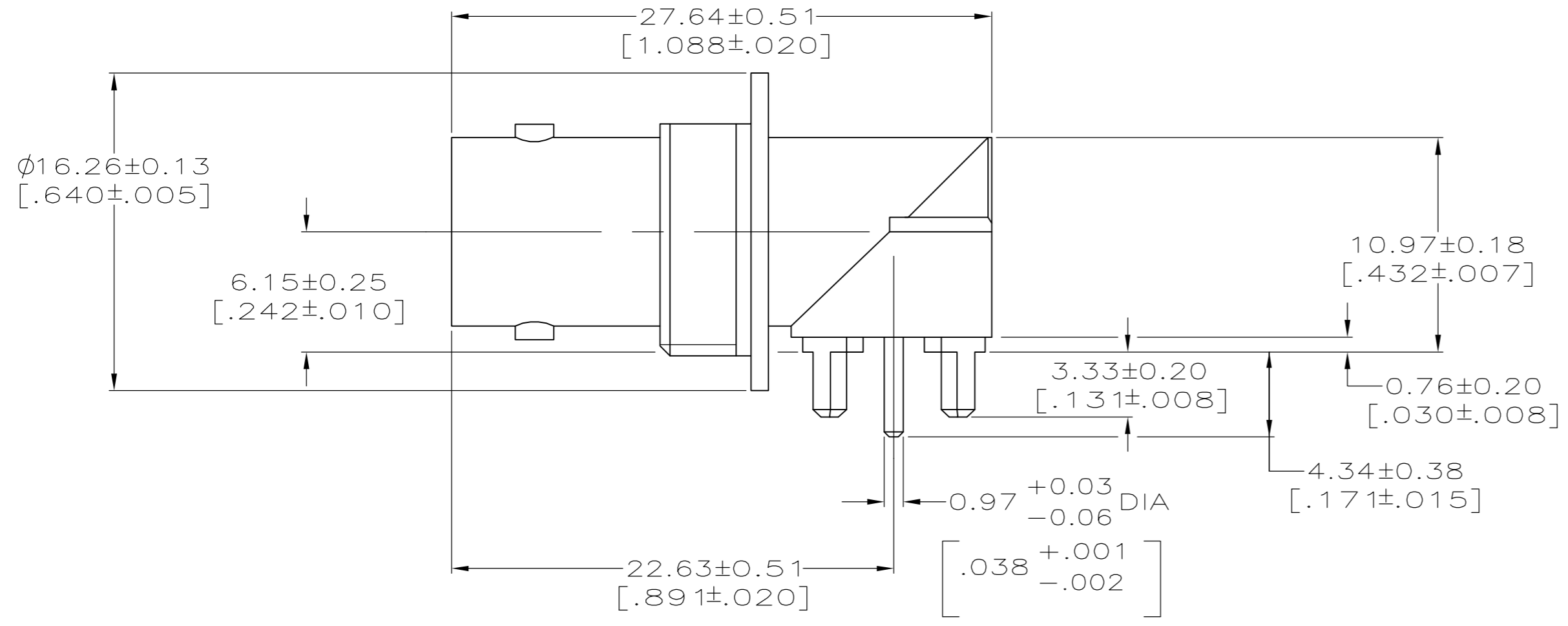
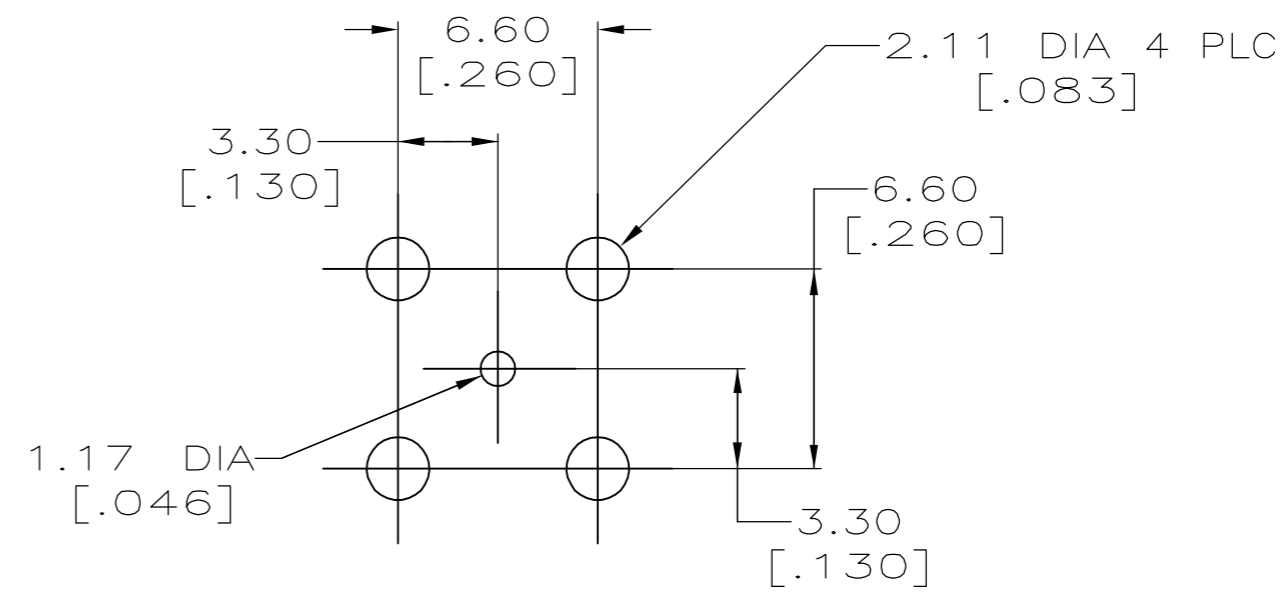
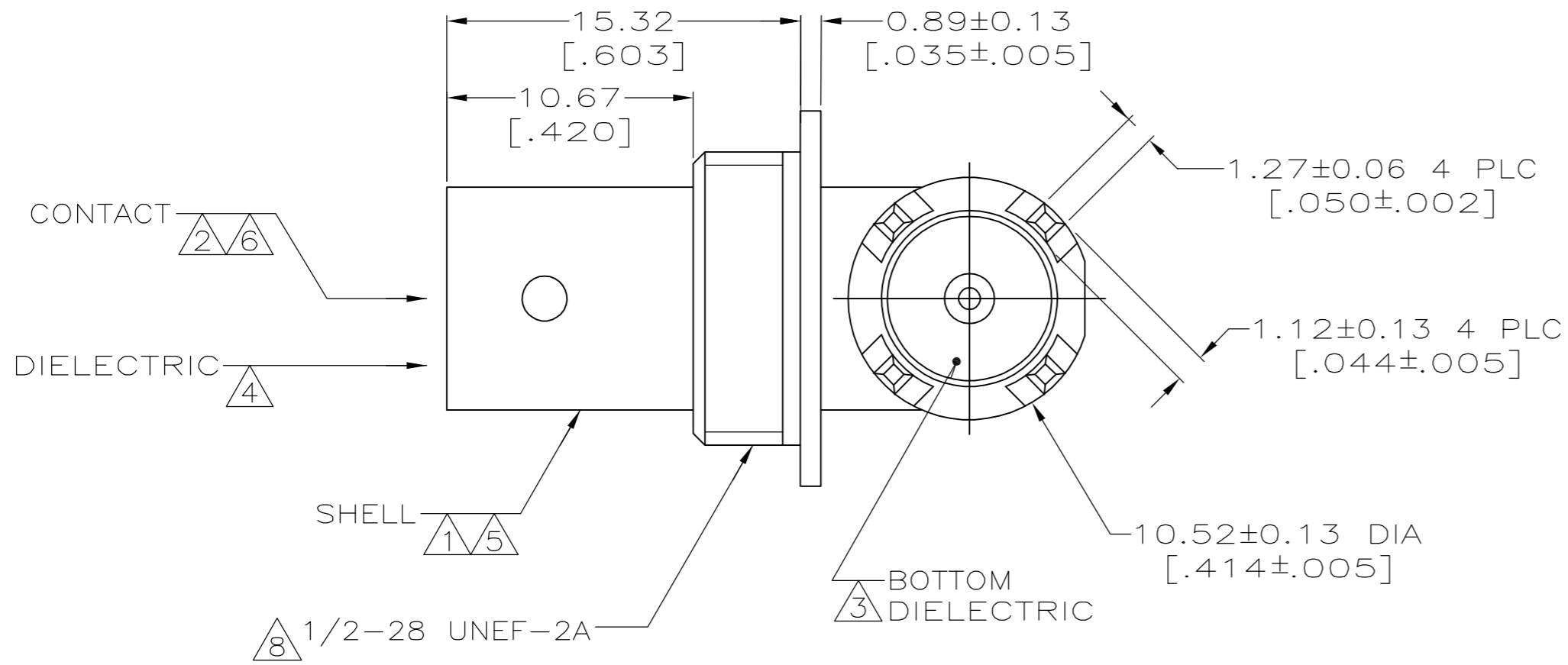


THIS DRAWING IS UNPUBLISHED. RELEASED FOR PUBLICATION
 © COPYRIGHT BY TYCO ELECTRONICS CORPORATION. ALL RIGHTS RESERVED.

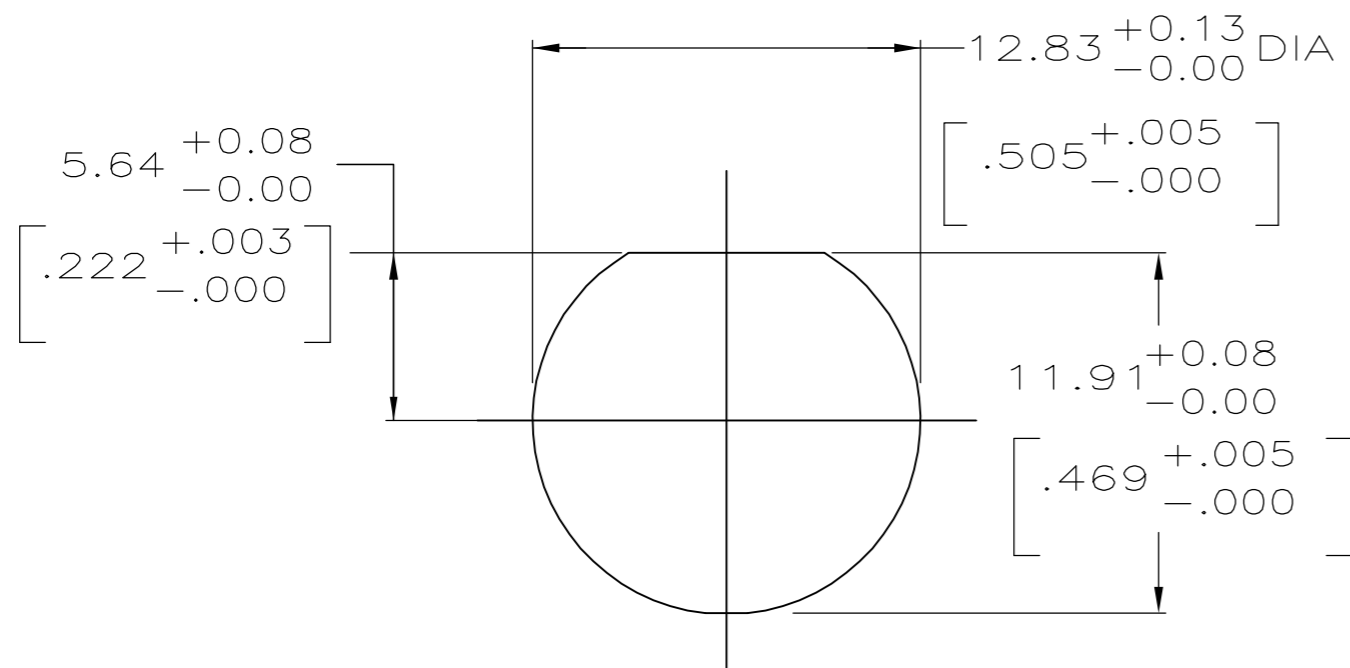
Loc		DIST		REVISIONS			
P	LTR	DESCRIPTION		DATE	DWN	APVD	
	C	REVISED PER ECO 06-024121		1/29/2007	DW	JL	



- ① ZINC PER QQ-Z-363
- ② BERYLLIUM COPPER PER ASTM-B-197
- ③ PTFE PER MIL-P-19468
- ④ POLYMETHYLPENTENE, GENERAL PURPOSE
- ⑤ TIN-LEAD PLATE PER ASTM B 545, 3.81 μ m [$.000150$] MIN THICK.
- ⑥ GOLD PLATE PER MIL-G-45204, 0.76 μ m [$.000030$] MINIMUM THICKNESS
- ⑦ INTERFACE PER MIL-C-39012
- ⑧ MODIFIED MAJOR DIAMETER TO 12.29 [$.484$]



PCB CONFIGURATION



RECOMMENDED PANEL CUTOUT

415373-1
 PART NUMBER

THIS DRAWING IS A CONTROLLED DOCUMENT.		DWN MICHAEL E. COWHER 26APR96	Tyco Electronics Corporation Harrisburg, PA 17105-3608															
DIMENSIONS: mm [INCHES]		CHK MICHAEL J. TOMCHAK 26APR96	NAME JACK, PCB, RIGHT ANGLE, 75 OHM, BNC															
TOLERANCES UNLESS OTHERWISE SPECIFIED:		APVD MICHAEL J. TOMCHAK 26APR96	APPLICATION SPEC															
<table border="1"> <tr><td>0 PLC</td><td>± -</td></tr> <tr><td>1 PLC</td><td>± -</td></tr> <tr><td>2 PLC</td><td>± 0.08 [.003]</td></tr> <tr><td>3 PLC</td><td>± -</td></tr> <tr><td>4 PLC</td><td>± -</td></tr> <tr><td>ANGLES</td><td>± -</td></tr> <tr><td>FINISH</td><td>± -</td></tr> </table>		0 PLC	± -	1 PLC	± -	2 PLC	± 0.08 [.003]	3 PLC	± -	4 PLC	± -	ANGLES	± -	FINISH	± -	PRODUCT SPEC	RESTRICTED TO	
0 PLC	± -																	
1 PLC	± -																	
2 PLC	± 0.08 [.003]																	
3 PLC	± -																	
4 PLC	± -																	
ANGLES	± -																	
FINISH	± -																	
MATERIAL SEE NOTES		WEIGHT -	SIZE A2	CAGE CODE 00779														
SEE NOTES		CUSTOMER DRAWING	DRAWING NO C=415373	REV C														
		SCALE 4:1	SHEET 1 of 1															