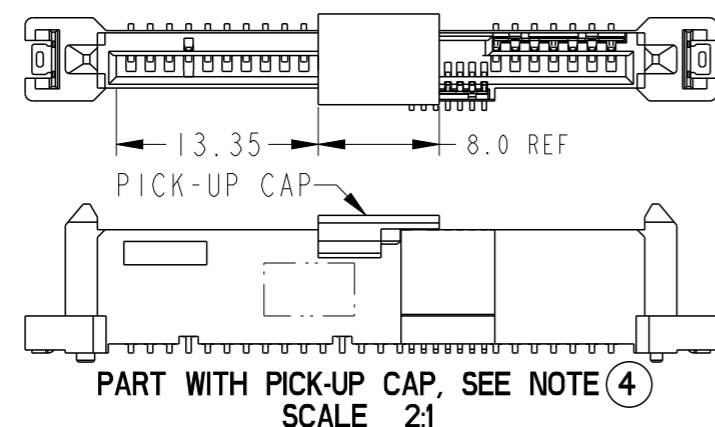
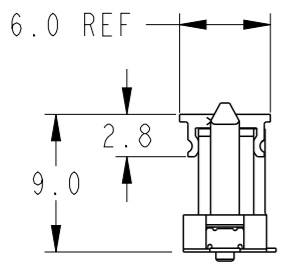
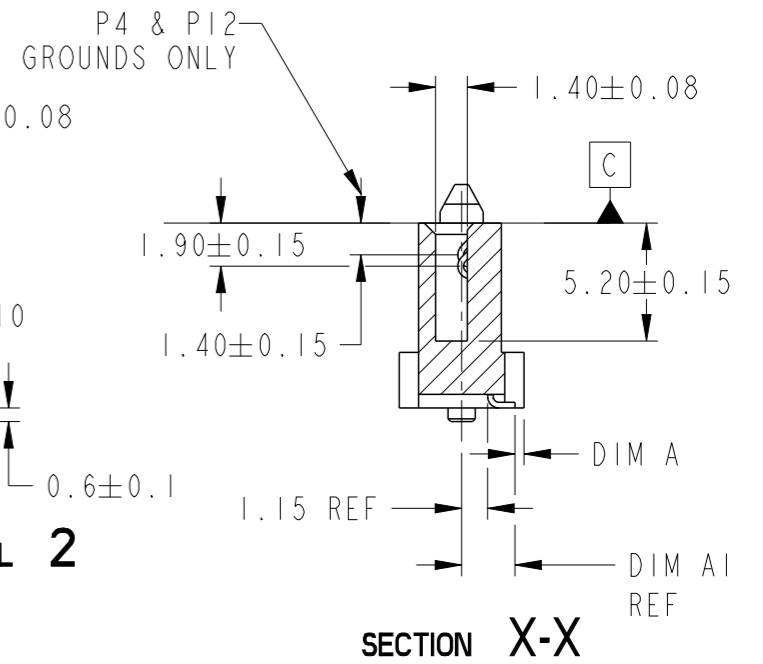
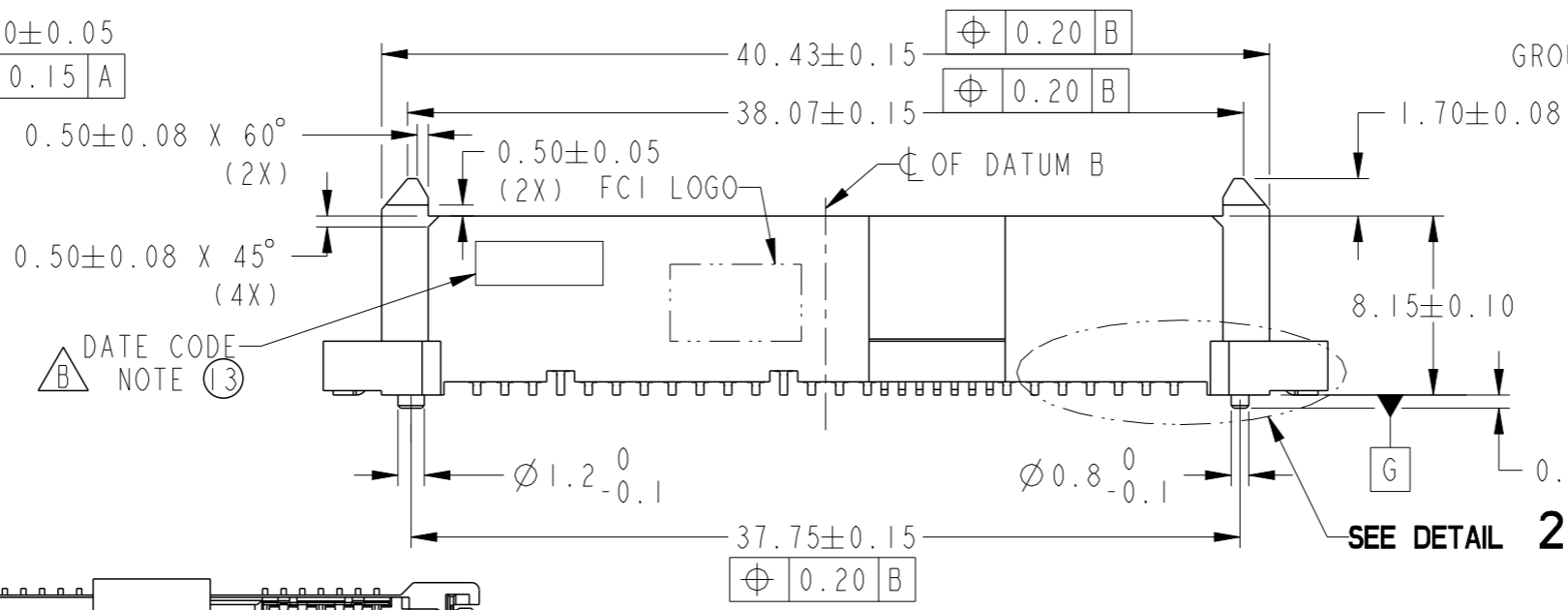
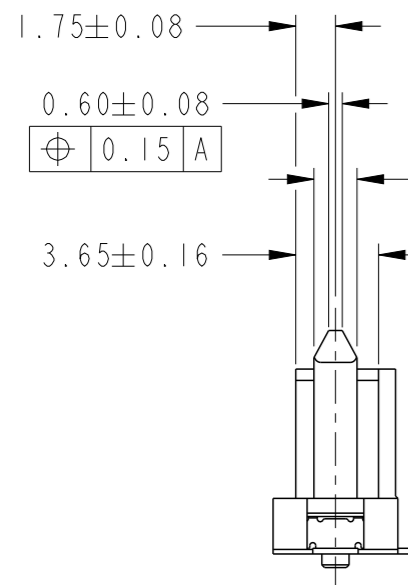
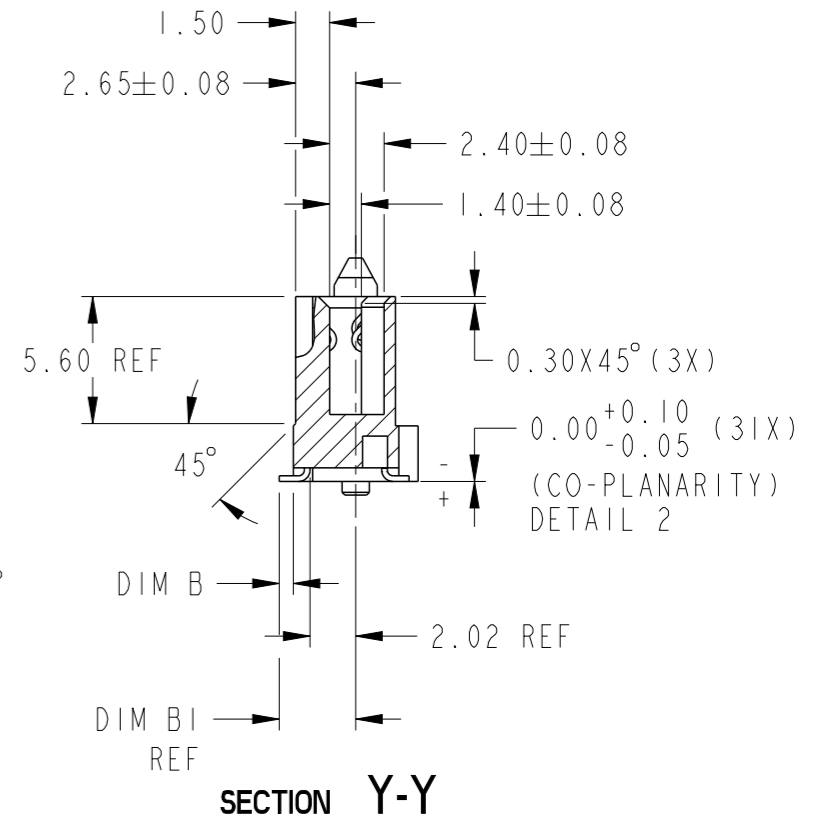
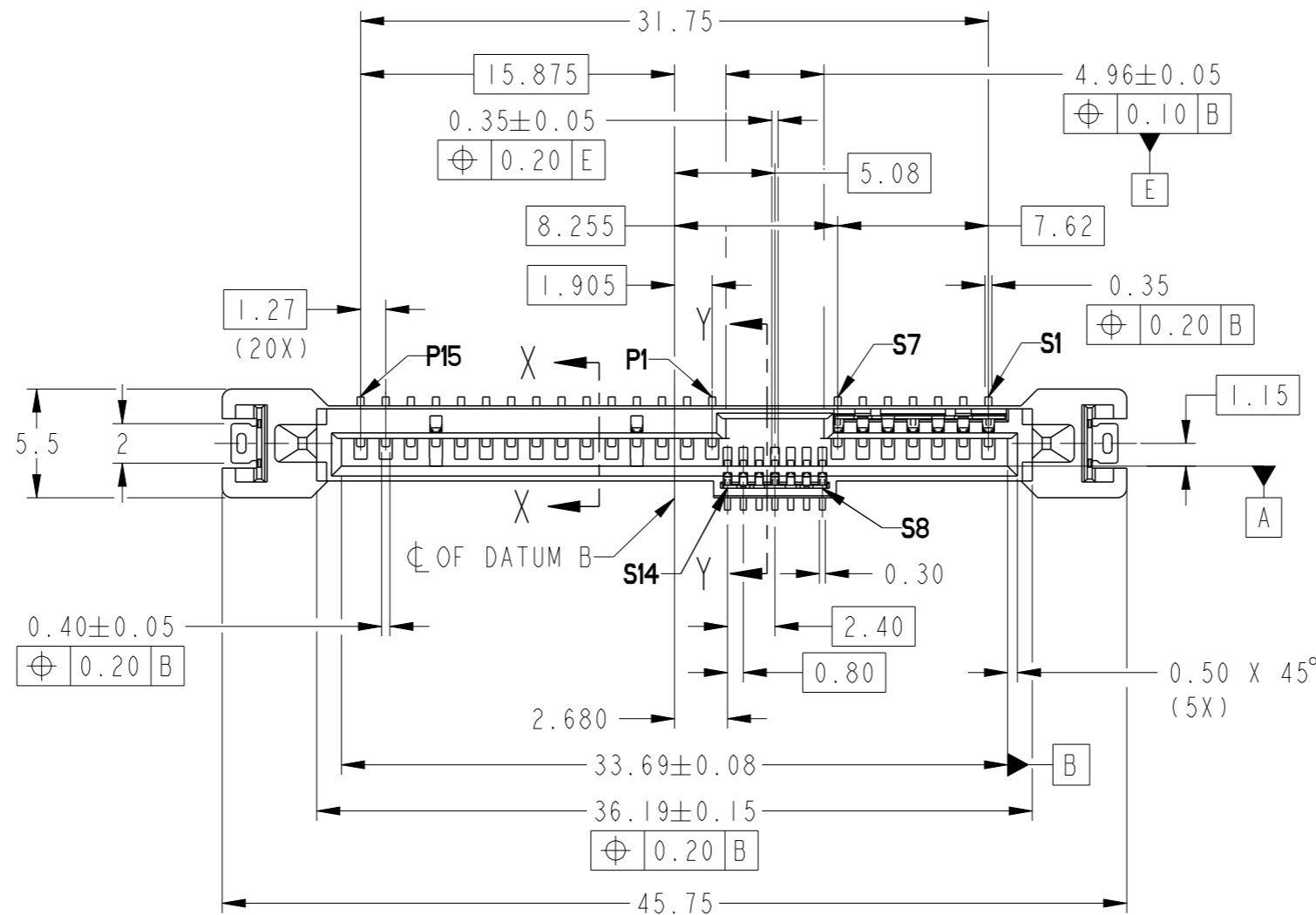


PRODUCT NUMBER  
SEE TABLE



spec ref	-	dr	K Ayyapparaj	2012/11/27
tolerance std	ISO 406 ISO 1101	eng	Guat-Lian Loo	2015/07/07
	TOLERANCES UNLESS OTHERWISE SPECIFIED	chr	-	-
surface	✓	appr	Chen-Hong Tan	2015/07/07
ISO 1302	linear	0.X	±	
		0.XX	±0.20	
		0.XXX	±	
	angular	0°	±2°	

projection	mm	size	A3	scale	3:1
product family	SAS	ecn no	ELX-S-19009-1	rel level	Released
12G SAS RECEPTACLE VERTICAL SMT TYPE ASSY		dwg no	10120909	rev	B
www.fci.com	cat. no.	-	Product - Customer Drw	sheet 1 of 3	



PRODUCT NUMBER  
SEE TABLE

NOTES:

1. MATERIAL :
  - 1) HOUSING : HIGH TEMP THERMOPLASTIC, UL 94V-0  
COLOR : BLACK
  - 2) TERMINAL : COPPER ALLOY
  - 3) HOLD DOWN : COPPER ALLOY
- ② FINISH :
  - 1) TERMINAL : 30 $\mu$ " Au PLATING (CONTACT POINT) OVER 50 $\mu$ " NICKEL
  - 2) SOLDER TAIL : 100 $\mu$ " MIN Sn OVER 50 $\mu$ " NICKEL
  - 3) HOLD DOWN : 100 $\mu$ " MIN Sn OVER 50 $\mu$ " NICKEL
3. PER SFF REV 1.1, EXCEPT 0.8mm PITCH BUMP AREA.
- ④ PART WITH PICK-UP CAP, P/N XXXXXXXX-XXXCLF.
- ⑤ THE STD PACKAGING IS IN TRAY UNLESS OTHERWISE SPECIFIED.
- ⑥ PART NUMBER WITH SUFFIX "-TR" MEANS FOR TAPE & REEL PACKAGING (E.G. P/N: XXXXXXXX-XXXC-TRLF).
7. THE HOUSING WILL WITHSTAND EXPOSURE TO 260°C PEAK TEMPERATURE FOR 10 SECONDS IN A CONVECTION, INFRA-RED OR VAPOR PHASE REFLOW OVEN.
- ⑧ THIS PRODUCT MEETS EUROPEAN UNION DIRECTIVES AND OTHER COUNTRY REGULATIONS AS DESCRIBED IN GS-47-0004.
- ⑨ PART NUMBERS ENDING IN "LF" MEANS FOR NOTE 8 LEAD FREE IDENTIFICATION
- ⑩ FINISH :
  - 1) TERMINAL : 30 $\mu$ " GXT PLATING (CONTACT POINT) OVER 50 $\mu$ " NICKEL
  - 2) SOLDER TAIL : 100 $\mu$ " MIN Sn OVER 50 $\mu$ " NICKEL
  - 3) HOLD DOWN : 100 $\mu$ " MIN Sn OVER 50 $\mu$ " NICKEL
11. 10120909-X03LF FOOTPRINT IS SAME AS 10120818-X01LF
12. A  $\triangle B$  SYMBOL WILL BE NEXT TO ANY DIMENSION, VIEW, OR NOTE WHICH HAS BEEN MODIFIED WITH THE CURRENT DRAWING REVISION.
- $\triangle B$  ⑬ DATE CODE LOCATION. DATE CODE NO. YYWW (E.G. 14225)

spec ref -		dr	K Ayyapparaj	2012/11/27	projection	mm	size	A3	scale	3:1
tolerance std		eng	Guat-Lian Loo	2015/07/07		$\longleftrightarrow$	ecn no		ELX-S-19009-1	
ISO 406 ISO 1101		chr	-	-			rel level		Released	
surface <input checked="" type="checkbox"/>		appr	Chen-Hong Tan	2015/07/07	product family		SAS		rev	
ISO 1302		TOLERANCES UNLESS OTHERWISE SPECIFIED		www.fci.com		12G SAS RECEPTACLE		10120909		B
linear		0.X ± - 0.XX ±0.20 0.XXX ± -		cat. no.		-		Product - Customer Drw		sheet 3 of 3
angular		0° ±2°		-		-		-		-