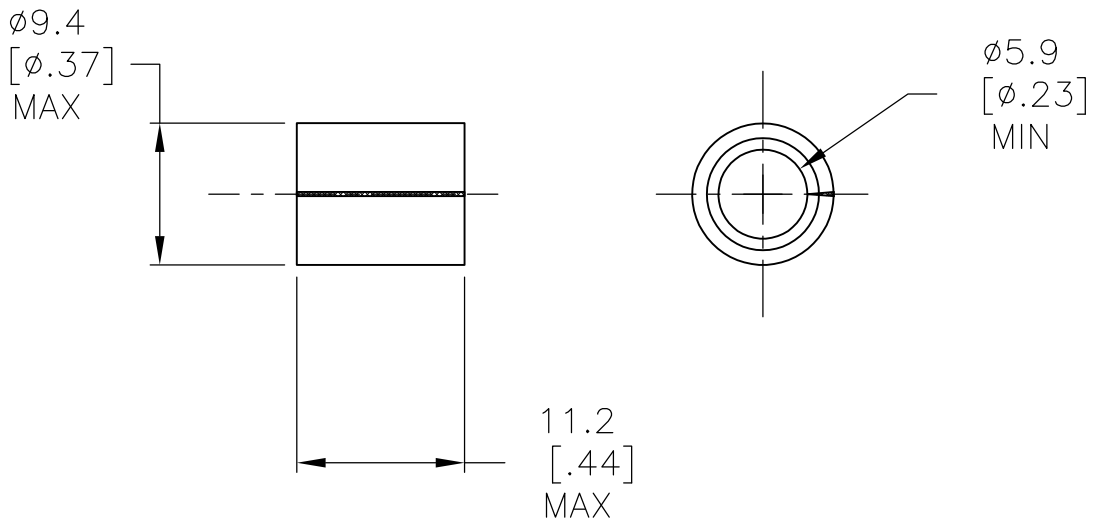


REVISIONS					
P	LTR	DESCRIPTION	DATE	DWN	APVD
	A	REVISED PER ECO-16-001437	02FEB2016	NK	DR




REFERENCE : 136311-2

RELEASED FOR PUBLICATION

ALL RIGHTS RESERVED.

THIS DRAWING IS UNPUBLISHED.

© COPYRIGHT - By -

DIMENSIONS: mm [INCHES]	DWN	02FEB2016	MATERIAL	COPPER	FINISH	NICKEL					
	CHK	02FEB2016	 TE Connectivity								
TOLERANCES UNLESS OTHERWISE SPECIFIED:		APVD					02FEB2016				
0 PLC ± - 1 PLC ± - 2 PLC ± 0.3[.012] 3 PLC ± - 4 PLC ± - ANGLES ± 5°	PRODUCT SPEC -		NAME SOLISTRAND STRATO-THERM SPLICE 6 AWG								
APPLICATION SPEC -		SIZE	A4	CAGE CODE	00779	DRAWING NO	C-136311	RESTRICTED TO	-		
WEIGHT -		CUSTOMER DRAWING				SCALE	2:1	SHEET	1 OF 1	REV	A