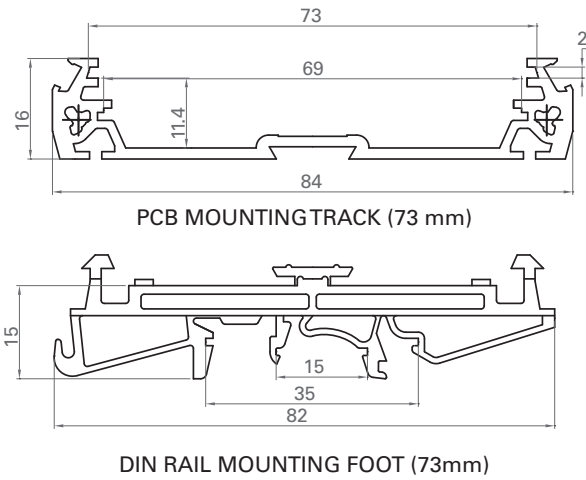


**Wide Mounting Track  
Extrusion and Components**

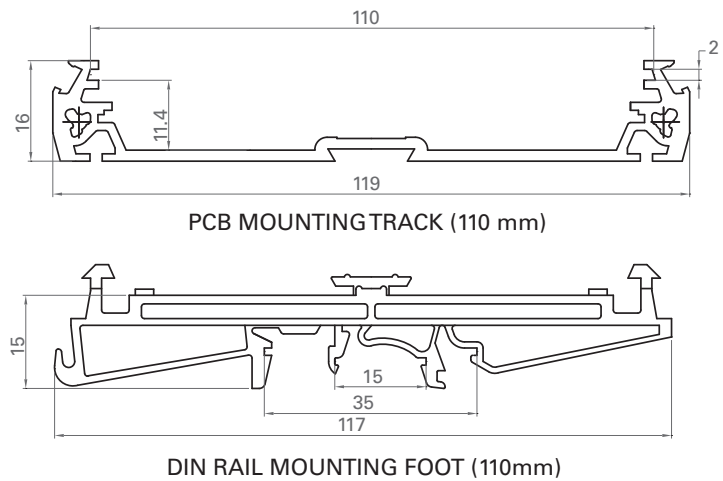
For PC Board Widths 110mm (4.9 in.)



**Narrow Mounting Track**



**Wide Mounting Track**



Cat. No.	Std. Pk.
----------	----------

MTGTK2/1M	5
MTGTK2	5
MTGTK2/1M/G	5
MTGTK2/G	5

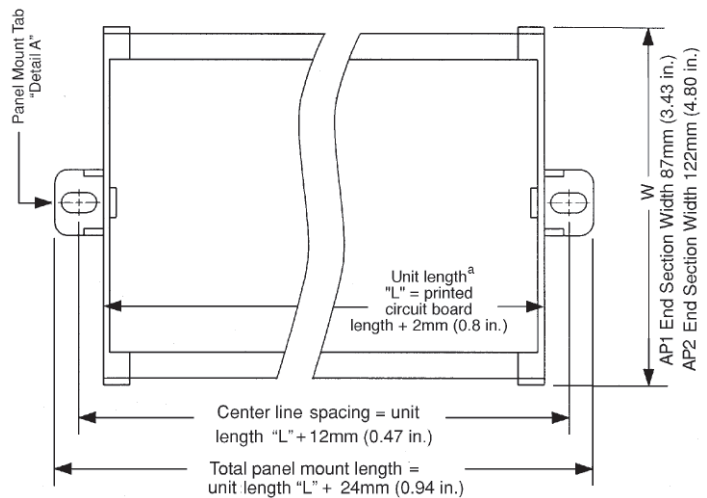
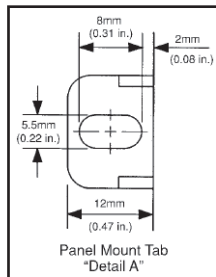
EPDR2	100
EPDR2/G	100

MTGF2	100
MTGF2/G	100

EPDP2	100
EPDP2/G	100

EPS	200
-----	-----

MT2	100
-----	-----



<sup>a</sup>Also applies for DIN Rail Mount Unit