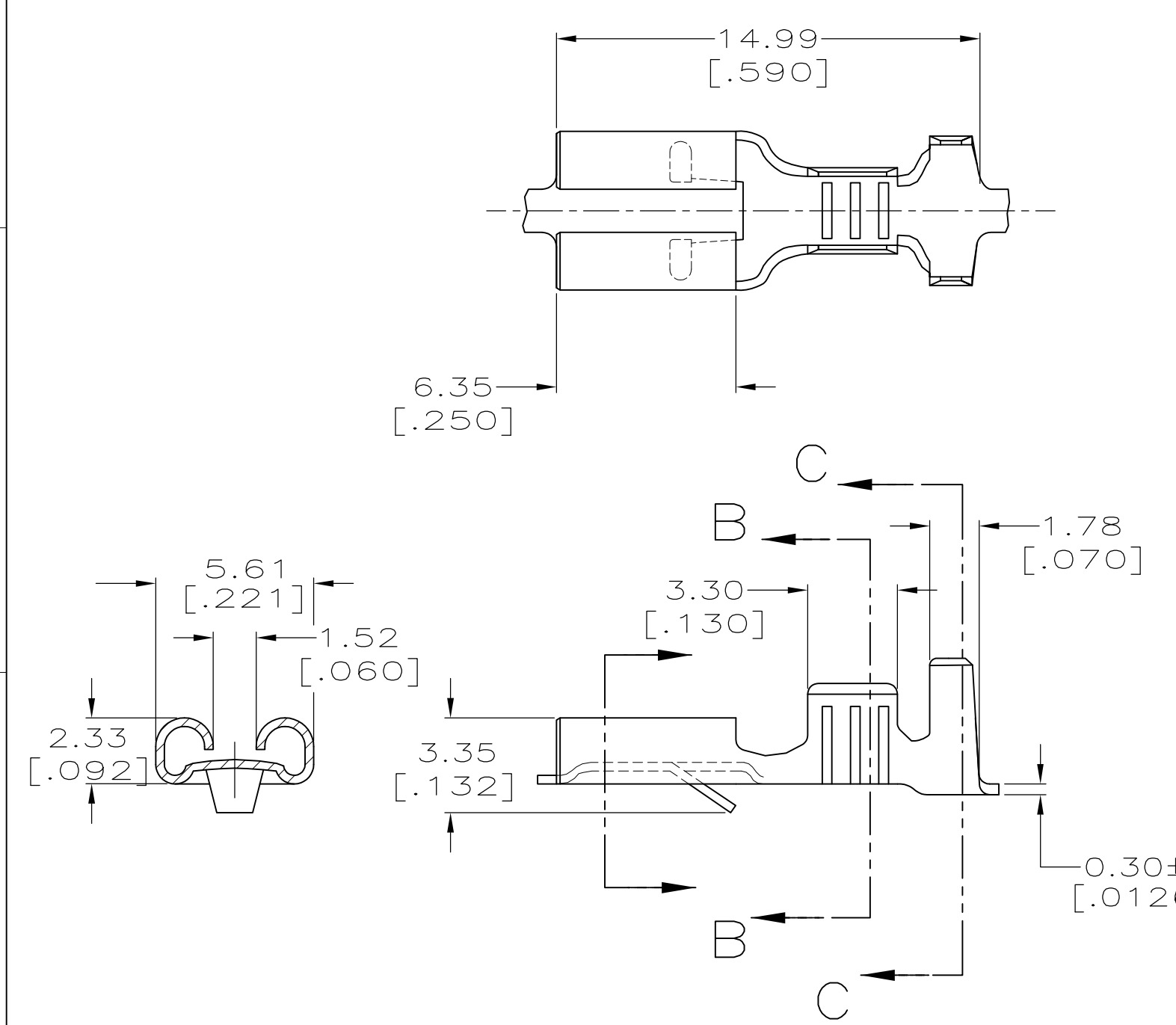
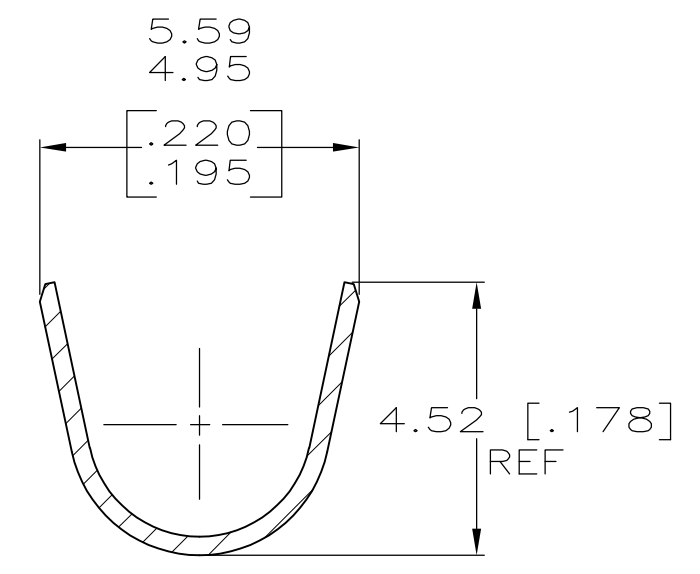
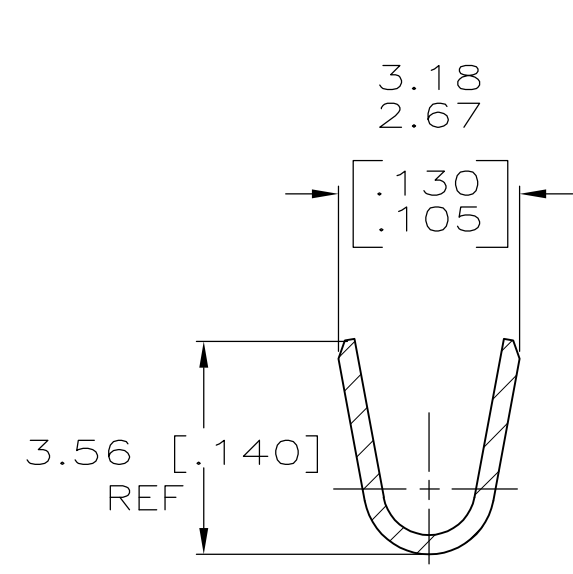


THIS DRAWING IS UNPUBLISHED. RELEASED FOR PUBLICATION  
 © COPYRIGHT - By - ALL RIGHTS RESERVED.

LOC	DIST	REVISIONS			
P	LTR	DESCRIPTION	DATE	DWN	APVD
AF	50	C	REVISED PER ECR-13-005733	22AUG2013	KH PD



- 1 CONTINUOUS STRIP ON REELS.
- 2 WIRE SIZE IS [#18-#14] AWG.
- 3 INSULATION RANGE IS 2.79-4.06 [.110-.160] DIA.
- 4 MATING TAB THK IS 0.51±0.025 [.020±.001]



1217150-1  
PART NO.

THIS DRAWING IS A CONTROLLED DOCUMENT.		DWN	JR RUTH	6MAY99	 TE Connectivity RECEPTACLE, FASTIN-FASTON, 4.75 [.187] SERIES
DIMENSIONS: mm [INCHES]		CHK	MS FEHER	6MAY99	
TOLERANCES UNLESS OTHERWISE SPECIFIED:		APVD	S HEADER	6MAY99	
0 PLC ± - 1 PLC ± - 2 PLC ± 0.25 [.010] 3 PLC ± - 4 PLC ± - ANGLES ± -		PRODUCT SPEC	-	-	
MATERIAL	BRASS	FINISH	TIN	WEIGHT	-
		APPLICATION SPEC	-	SIZE	A3
CUSTOMER DRAWING		RESTRICTED TO	-	CAGE CODE	00779
SCALE		5:1	DRAWING NO	C=	1217150
SHEET		1 OF 1	REV	C	