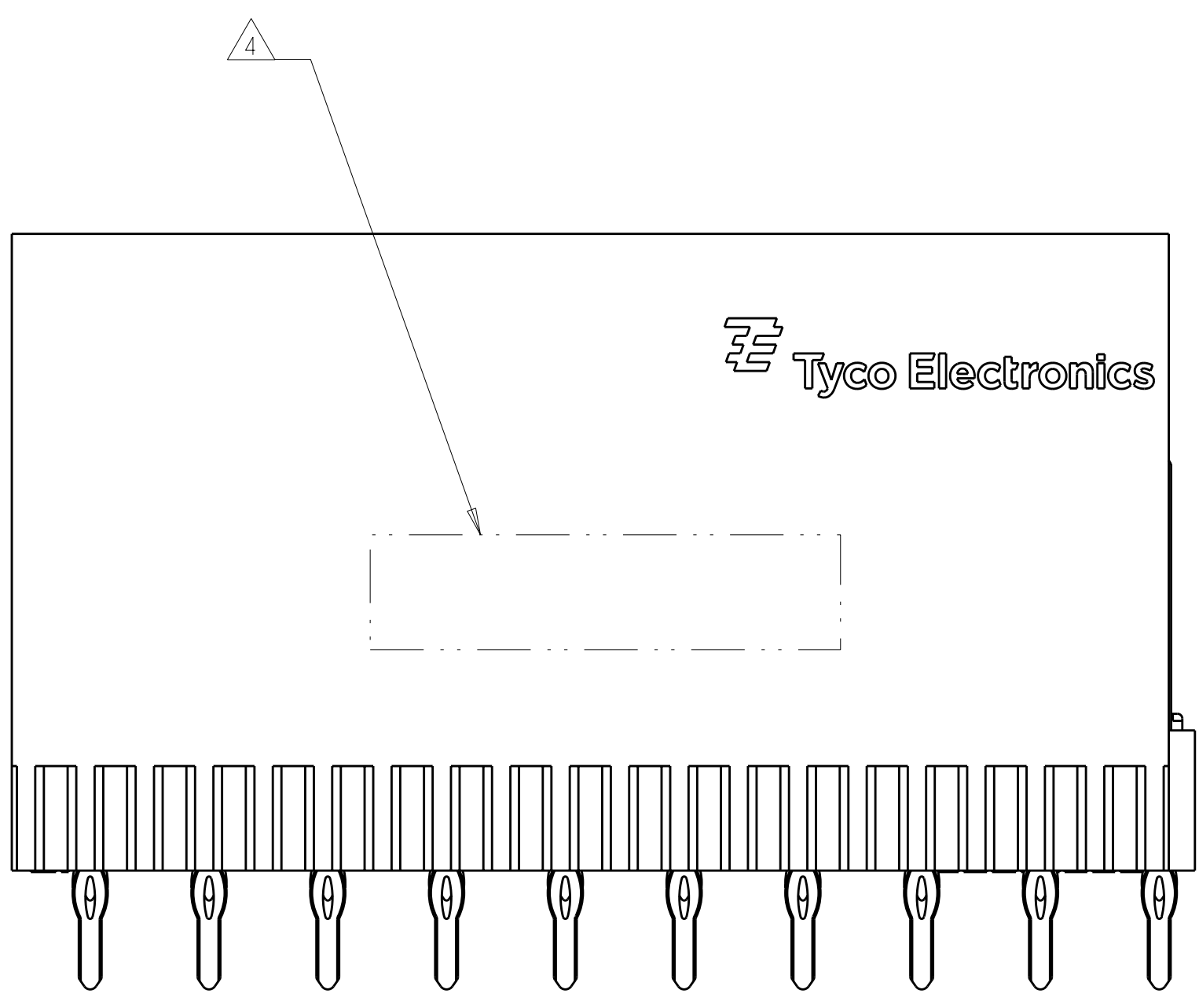
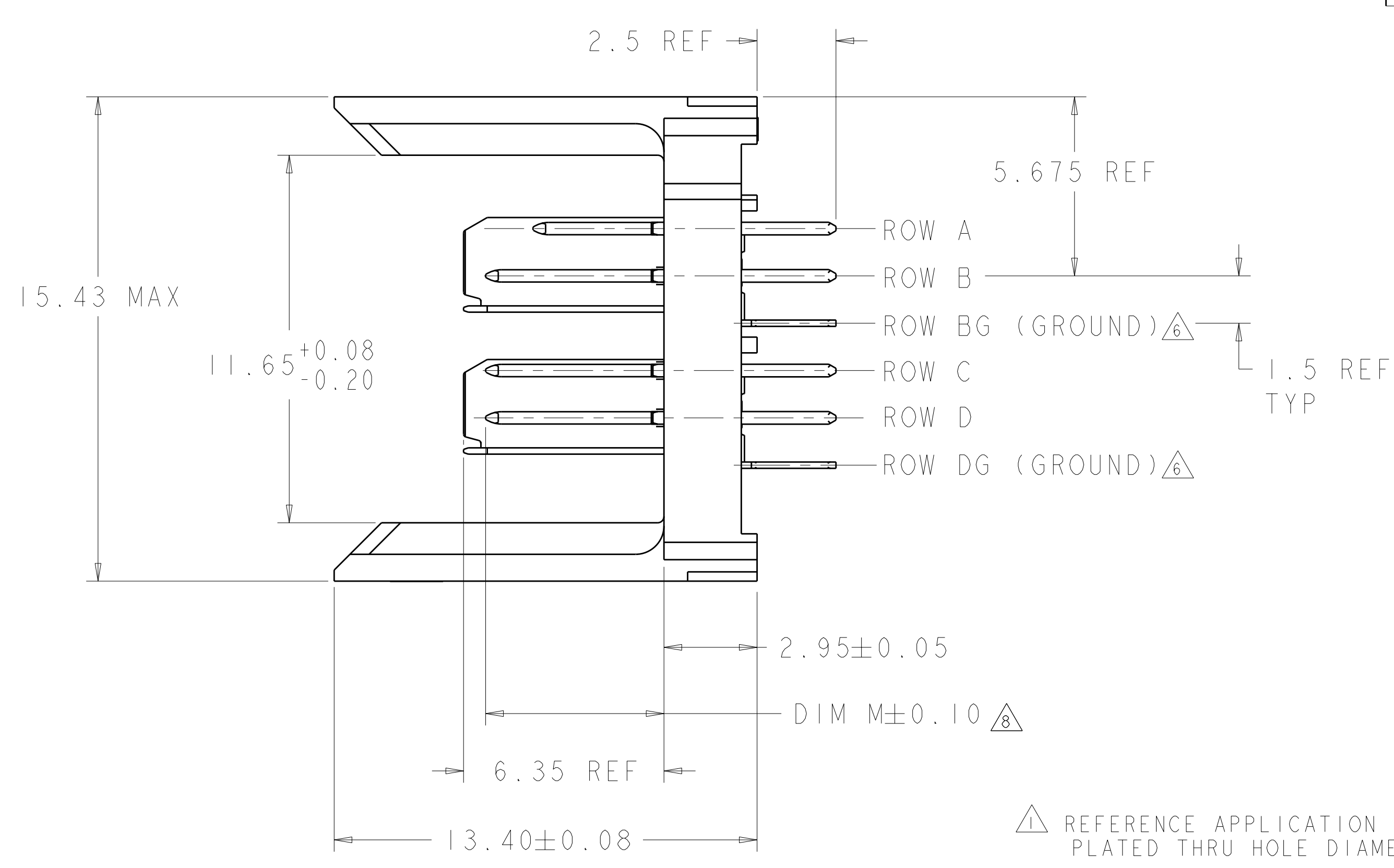
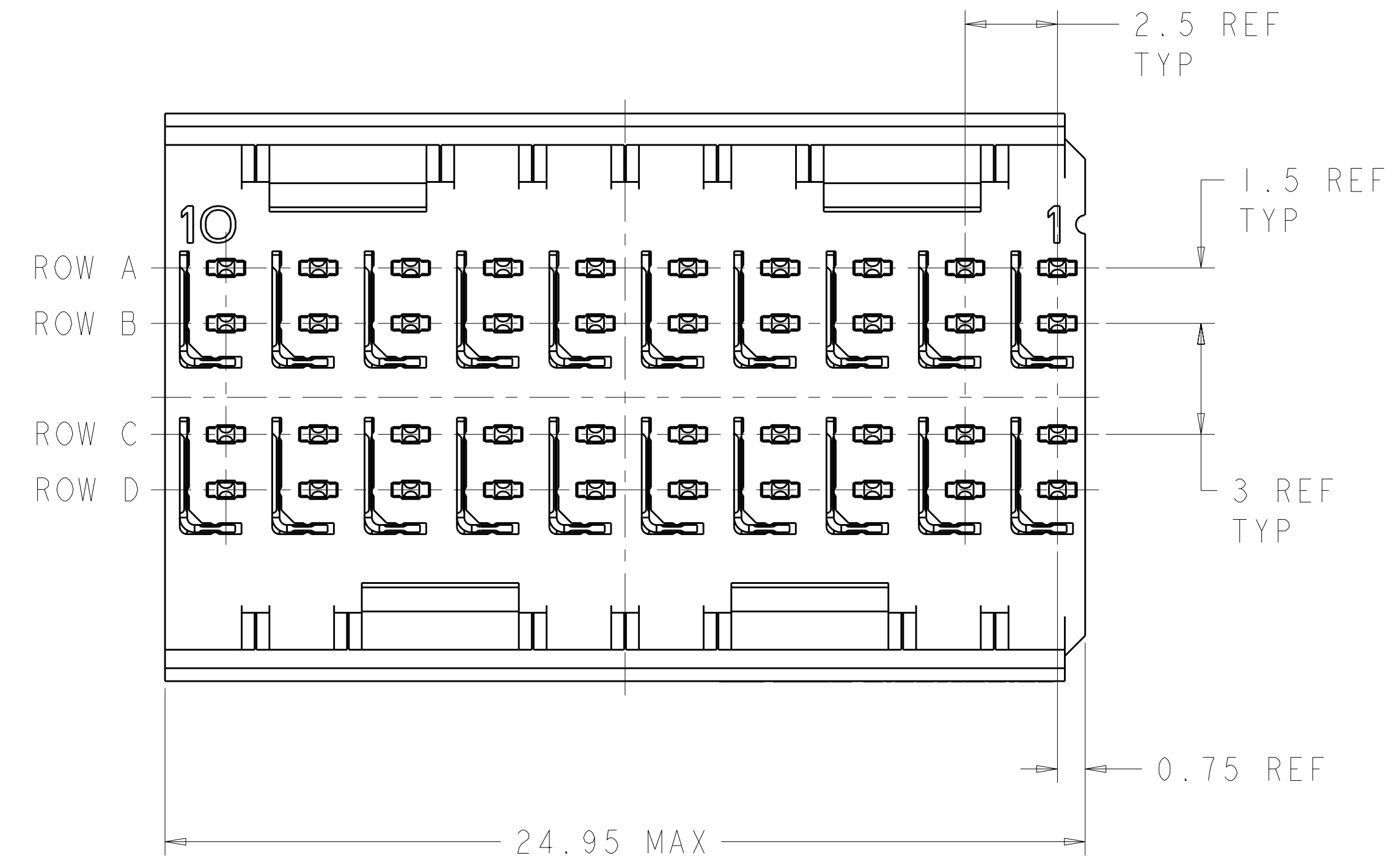


LOC	DIST	REV	DATE	BY	CHK	APPV
AD	00					
D		REV PER ECO-11-007577	13APR2011	RKC		JE
D1		REV PER ECO-11-007577 CORRECTION	29APR2011			JE
E		REV PER ECO-11-012032	13JUN2011	RG		JE

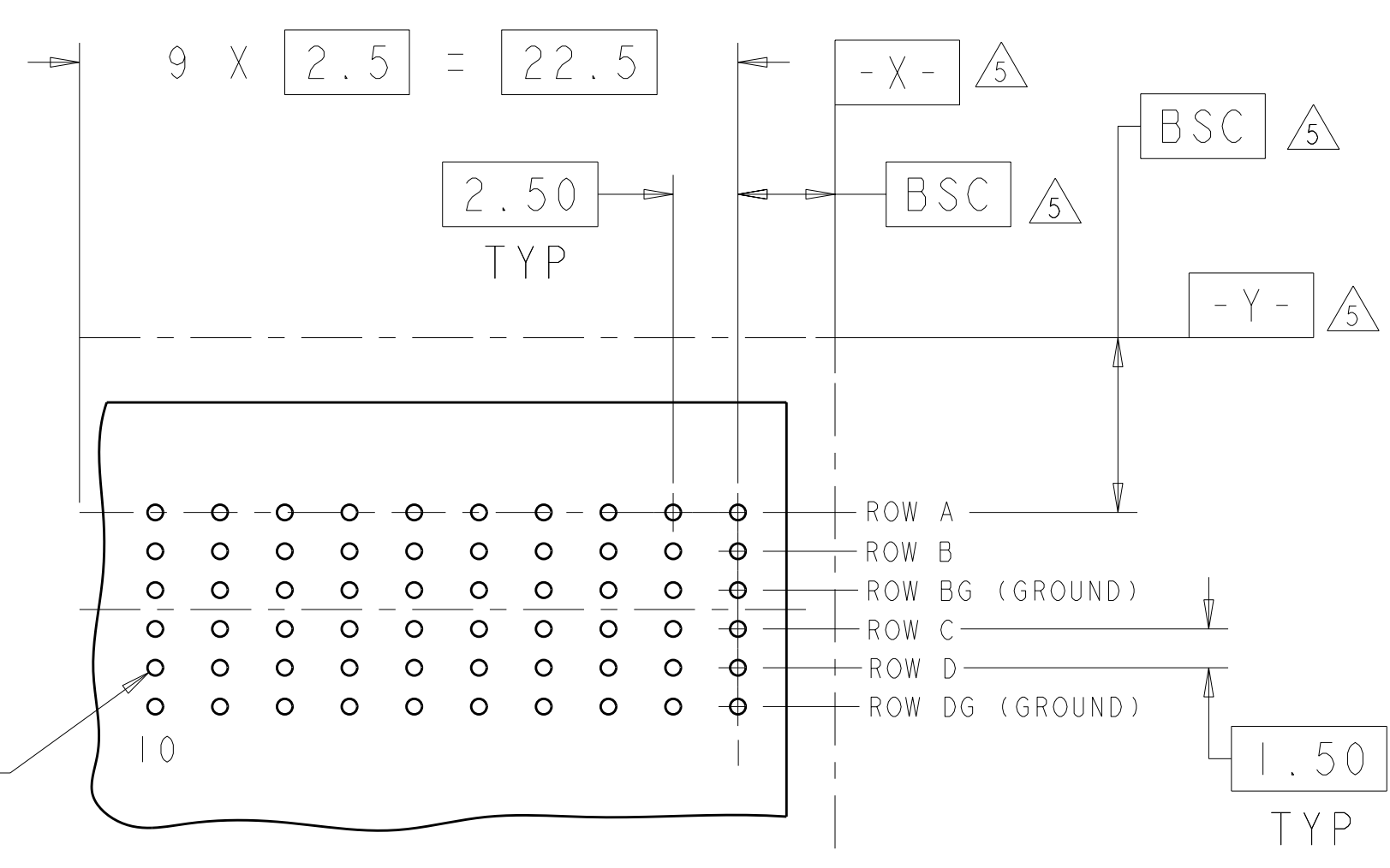


- △ REFERENCE APPLICATION SPEC 114-13059 FOR RECOMMENDED PLATED THRU HOLE DIAMETER AND PLATING THICKNESSES.
- △ MATERIAL:
CONTACT AND SHIELD - PHOSPHOR BRONZE
HOUSING - GLASS FILLED POLYESTER. UL 94V-0.
- △ FINISH: CONTACT AND SHIELD
MATING AREA - 1.27µm MIN GOLD OVER 1.27µm MIN NICKEL
COMPLIANT PIN AREA - 0.5µm MIN TIN OVER 1.27µm MIN NICKEL
- △ CONNECTOR MARKED WITH PART NUMBER AND DATE CODE.
- △ DATUMS AND BASIC DIMENSIONS ESTABLISHED BY CUSTOMER.
- △ THE TWO GROUNDS IN EACH COLUMN ARE COMMONED.
- 7. CONTACT AREA LUBRICATED WITH BELLCORE APPROVED LUBRICANT. TECHNICAL REFERENCE: GR-1217-CORE, ISSUE 1, NOVEMBER 1995.
- △ REFER TO "CONTACT LAYOUT" CHART FOR SEQUENCING.

CONTACT LAYOUT
 A = 3.80mm (DIM M)
 B = 5.30mm (DIM M)
 G = GROUND

		COLUMNS									
		10	9	8	7	6	5	4	3	2	1
ROWS	A	B	B	B	A	B	B	B	B	A	B
	B	B	B	B	A	B	B	B	B	A	B
	BG	G	G	G	G	G	G	G	G	G	G
	C	B	B	B	B	B	B	B	B	B	B
	D	B	B	B	B	B	B	B	B	B	B
DG	G	G	G	G	G	G	G	G	G	G	

⊕ ∅0.05 X Y
 ALL PLATED THRU HOLES



RECOMMENDED PC BOARD LAYOUT, BACKPLANE, COMPONENT SIDE SHOWN
 SCALE 4:1

1645525-1
 PART NUMBER

THIS DRAWING IS A CONTROLLED DOCUMENT.		OWN: HUMBERT 30 JUL 2009	TE Connectivity
DIMENSIONS: mm		CHK: A. DAVILSON 30 JUL 2009	
TOLERANCES UNLESS OTHERWISE SPECIFIED:		APPV: A. DAVILSON 30 JUL 2009	NAME: HEADER ASSEMBLY, 2 PAIR, SELECTIVELY LOADED, 2.5mm TAIL, 25mm, HMzd
9 PLC ±		PRODUCT SPEC	SIZE: CAGE CODE DRAWING NO. RESTRICTED TO
1 PLC ±		APPLICATION SPEC	A100779C=1645525
2 PLC ±		WEIGHT	SCALE 8:1 SHEET 1 OF 1 REV E
3 PLC ±		CUSTOMER DRAWING	
4 PLC ±			
ANGLES ±			
FINISH			