

THIS DRAWING IS UNPUBLISHED. RELEASED FOR PUBLICATION 20
 © COPYRIGHT 20 BY - ALL RIGHTS RESERVED.

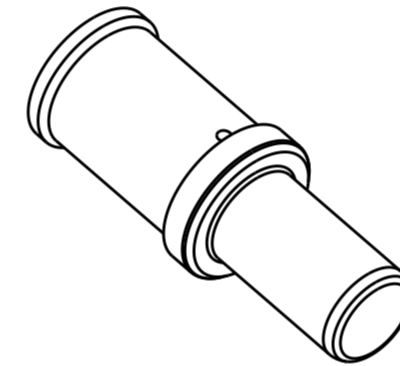
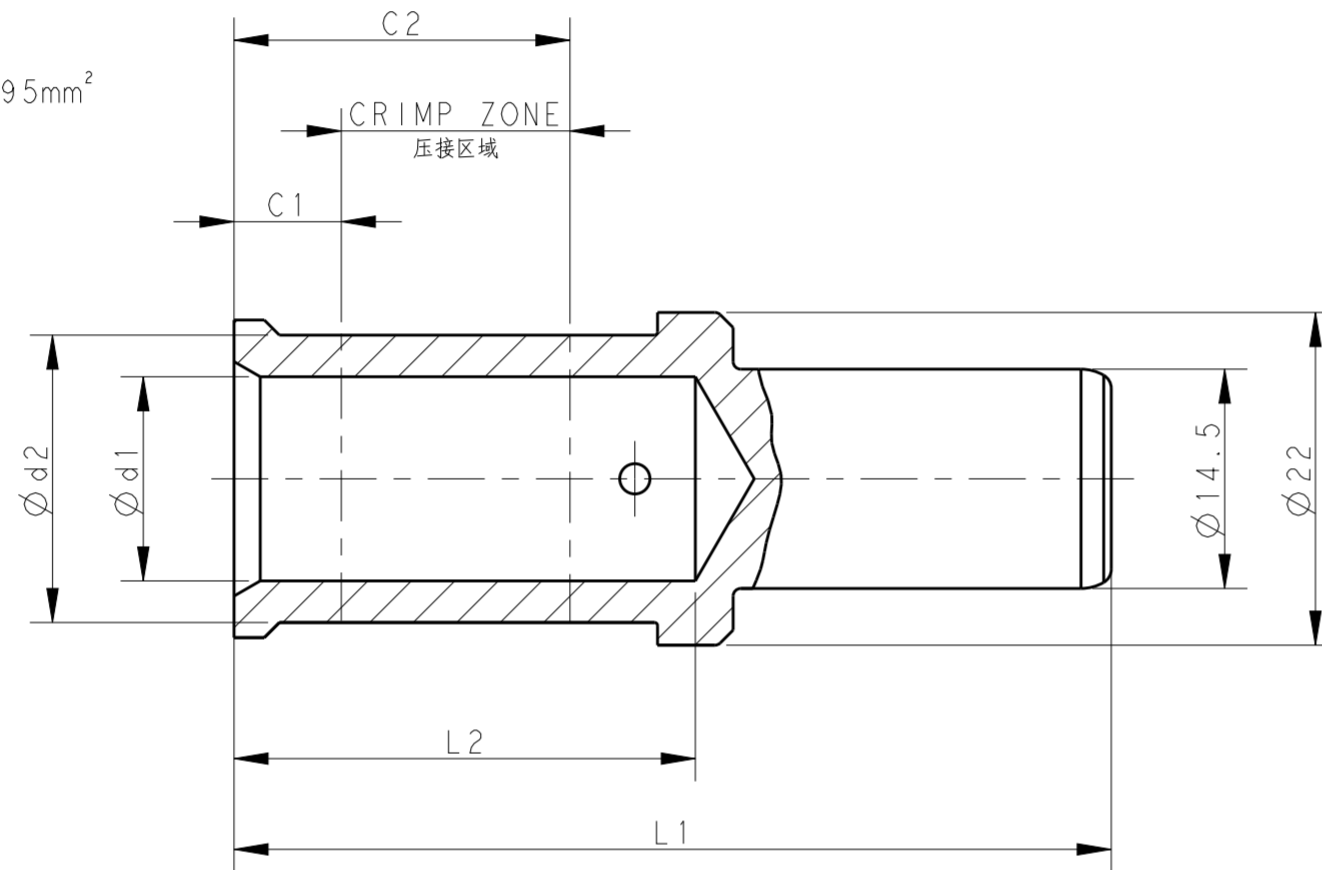
REVISIONS				
P	LTR	DESCRIPTION	DATE	APVD
	A	INITIAL	14NOV2016	BS CW
	A1	ECR-17-012938	06SEP2017	BS CW

PART NUMBER 料号	PART DESCRIPTION 描述	Ø d1	Ø d2	L1	L2	C1	C2	WIRE GAUGE 线规 (mm ²)	STRIPPING LENGTH 剥线长度 (mm)	TYPE 类型
T2193501035-000	HCM350-MC-35 HCM350 PIN CONTACT, CRIMP, 35mm ² , SILVER PLATING HCM 350 公针, 冷压, 35mm ² , 镀银	8.2	12.5	52.5	26	7	20	35	26	TYPE 1 类型 1
T2193501050-000	HCM350-MC-50 HCM350 PIN CONTACT, CRIMP, 50mm ² , SILVER PLATING HCM 350 公针, 冷压, 50mm ² , 镀银	10	14.5	55	28.5	7	22	50	28	
T2193501070-000	HCM350-MC-70 HCM350 PIN CONTACT, CRIMP, 70mm ² , SILVER PLATING HCM 350 公针, 冷压, 70mm ² , 镀银	11.5	16.5	55	28.5	5	22	70	28	
T2193501095-000	HCM350-MC-95 HCM350 PIN CONTACT, CRIMP, 95mm ² , SILVER PLATING HCM 350 公针, 冷压, 95mm ² , 镀银	13.5	19	58	30.5	5	23	95	30	TYPE 2 类型 2
T2193501120-000	HCM350-MC-120 HCM350 PIN CONTACT, CRIMP, 120mm ² , SILVER PLATING HCM 350 公针, 冷压, 120mm ² , 镀银	15.5	21	58	24	3.5	20.5	120	24	
T2193501050-001	HCM350-MC-50 HCM350 PIN CONTACT, CRIMP, 50mm ² , SILVER PLATING (d2) HCM 350 公针, 冷压, 50mm ² , 镀银 (d2)	10	14	55	28.5	7	22	50	28	TYPE 3 类型 3

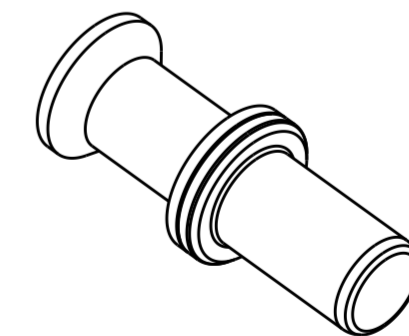
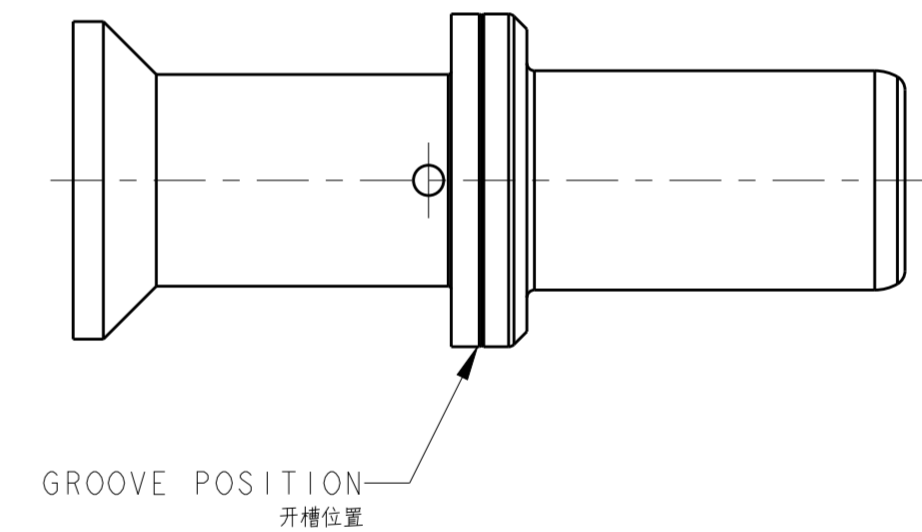
NOTES:
 1. TECHNICAL CHARACTERISTICS:
 CONTACT MATERIAL: COPPER
 SURFACE PLATING: SILVER PLATING: >= 5µm
 CONTACT RESISTANCE: <=1 mΩ
 WIRE RANGE: 35-120 mm²

注释:
 1. 技术参数:
 针件材料: 纯铜
 表面电镀: 镀银: >= 5µm
 接触电阻: <=1 mΩ
 接线范围: 35-120 mm²

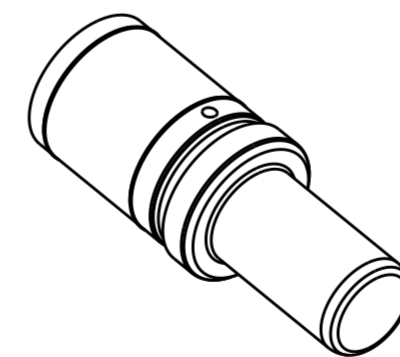
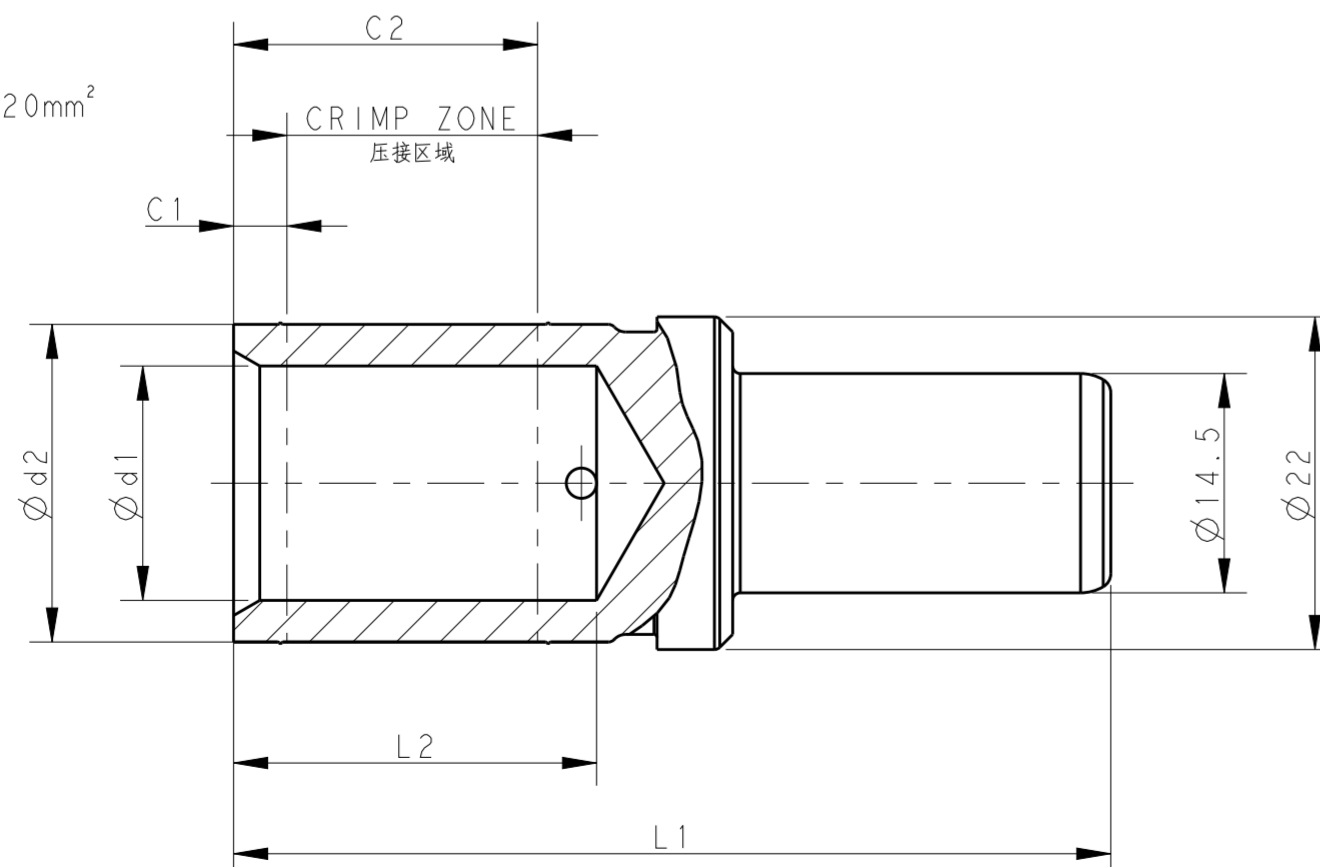
TYPE 1: FOR WIRE GAUGE 35-95mm²
 类型 1: 适用于夹线范围 35-95mm²



TYPE 3: FOR WIRE GAUGE 50mm², OTHER SPEC. REFER TO TYPE 1 (50mm²)
 类型 3: 适用于夹线范围 50mm², 其他规格尺寸参照类型 1 (50mm²)



TYPE 2: FOR WIRE GAUGE 120mm²
 类型 2: 适用于夹线范围 120mm²



THIS DRAWING IS A CONTROLLED DOCUMENT.		DWN BELL SU 14NOV2016	TE Connectivity	
DIMENSIONS: mm		CHK KYLE ZENG 14NOV2016		
TOLERANCES UNLESS OTHERWISE SPECIFIED:		APVD CHRIS WANG 14NOV2016	NAME HCM350 PIN CONTACT	
0 PLC ±		PRODUCT SPEC 108-137073	SIZE A2	
1 PLC ±		APPLICATION SPEC 114-137073	CAGE CODE -	
2 PLC ±		WEIGHT -	DRAWING NO G-T2193501XXX000	
3 PLC ±		CUSTOMER DRAWING	RESTRICTED TO -	
4 PLC ±			SCALE 1:1	
ANGLES ±			SHEET 1 OF 1	
FINISH -			REV A1	