



Materials and Finish

Body: PBT Thermoplastic,
30% glass filled,
UL94V-0 rated,
black color

Contact Material: Phosphor Bronze,
3 to 6 u" Gold Plated

Electrical Specifications

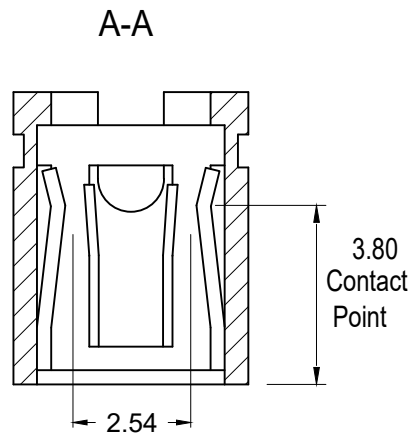
Contact Current Rating:
3 Amp max.

Contact Resistance:
10 milliohms max.

Dielectric Withstanding Voltage:
AC 650 Volts RMS

Insulation Resistance:
1000 Megohms min.

Temperature Rating:
-55°C to +125°C



Part Number	No. of Positions	A	B
SX4020	2x2position	5.08	2.54
SX4030	2x3position	7.62	5.08
SX4040	2x4position	10.16	7.62
SX4050	2x5position	12.70	10.16
SX4060	2x6position	15.24	12.70
SX4070	2x7position	17.78	15.24
SX4080	2x8position	20.32	17.78
SX4090	2x9position	22.86	20.32
SX4100	2x10position	25.40	22.86

Tolerances
X.X ± 0.25
X.XX ± 0.15
Unless Stated
Otherwise

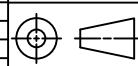
RoHS COMPLIANT

REV.	DATE	DESCRIPTION	REV. BY	CHK. BY	DRAWN BY	DATE
A1	06/26/06	New Drawing	R. Aguirre	H. MA	R. Aguirre	06/19/06
A2	09/23/10	ECO #10-065	S. Vien	H. MA		
A3	08/13/18	Update Address	D.Shehan	N/A		

SX4xxx

Multiple Position Shunt, RoHS Compliant

2.54 mm Pitch



UNITS
mm