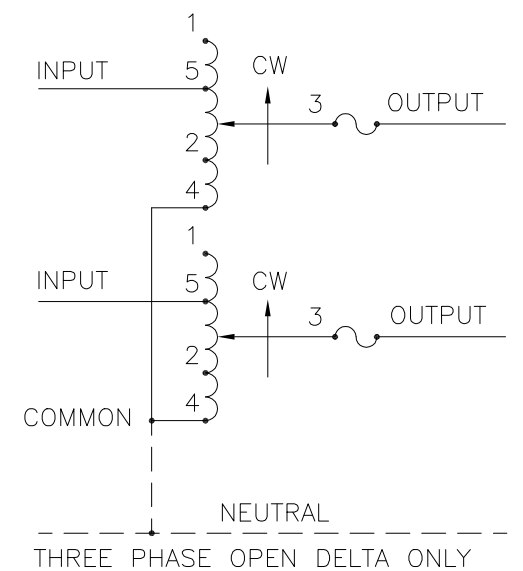


π IF GANGED UNITS ARE USED IN A SYSTEM THAT ORDINARILY HAS A COMMON NEUTRAL OR GROUND BETWEEN SOURCE AND LOAD, THE NEUTRAL OR GROUND MUST BE CONNECTED TO THE COMMON TERMINALS OF THE VARIABLE TRANSFORMER ASSEMBLY. IF THE SYSTEM HAS NO NEUTRAL, THE LOAD MUST BE BALANCED OR THE TRANSFORMER WILL BE DAMAGED.

■ JUMPER PROVIDED IN STANDARD COMMON POSITION AND SHOULD BE MOVED OR REMOVED AS REQUIRED.

++ LINE TO LINE VOLTAGE.



SCHMATIC
 THREE PHASE OPEN DELTA AND SINGLE PHASE SERIES. FUSE RECOMMENDED BUT NOT SUPPLIED.

SPECIFICATIONS											
WIRING	INPUT		OUTPUT				SHAFT ROTATION TO INCREASE VOLTAGE	TERMINAL CONNECTIONS			
	VOLTS	HERTZ	VOLTS	CONSTANT CURRENT LOAD		CONSTANT IMPEDANCE LOAD		FOR INCREASING VOLTAGE AS VIEWED FROM BASE END ■			
				MAX. AMPS	MAX. KVA	MAX. AMPS		MAX. KVA	INPUT	JUMPER	OUTPUT
SINGLE PHASE SERIES	240	50/60	0-240	5	1.2	7	1.68	CW	1-1	4-4	3-3
							CCW	4-4	1-1	3-3	
			0-280	5	1.4	—	—	CW	5-5	4-4	3-3
								CCW	2-2	1-1	3-3
THREE PHASE OPEN DELTA π	120 ++	50/60	0-120	5	1.04	7	1.46	CW	1-4-1	4-4	3-4-3
							CCW	4-1-4	1-1	3-1-3	
			0-140	5	1.21	—	—	CW	5-4-5	4-4	3-4-3
								CCW	2-1-2	1-1	3-1-3

UNLESS OTHERWISE SPECIFIED, TOLERANCE IS ±
 DECIMALS HOLES ANGLES DRAFT
 .XX .0000-.03 .002 1° 1-1/2°
 .XXX .005

MATERIAL: ALL DIMENSIONS APPLY AFTER PLATING

TITLE: SPEC. CONTROL DRAWING
 VARIABLE TRANSFORMER
 MODEL: 501C-2

DRAWN BY: TIM RAU DATE: 3/15/99 FIRST USED ON: DO NOT SCALE DWG.
 CHECKER: DATE: WEIGHT APPROX. 10.5 LBS CAGE CODE 83008
 ENGINEER: DATE: SCALE 1=1 SHEET 1 OF 1

STACO ENERGY PRODUCTS CO.
 A Components Corporation of America Company
 302 Gadsden Boulevard Dayton, Ohio 45403 USA

DWG. NO. 031-0478