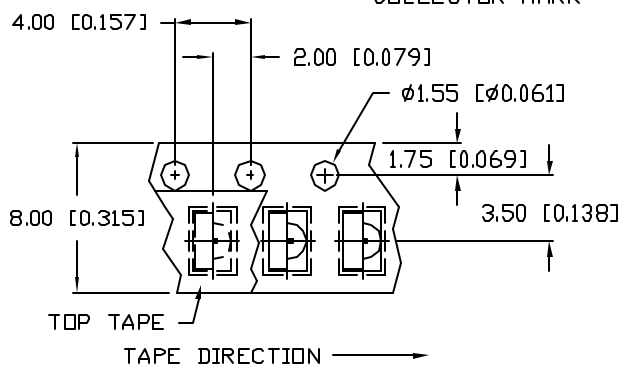
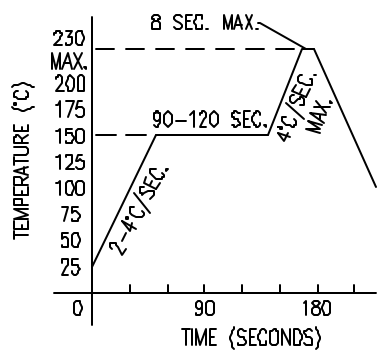
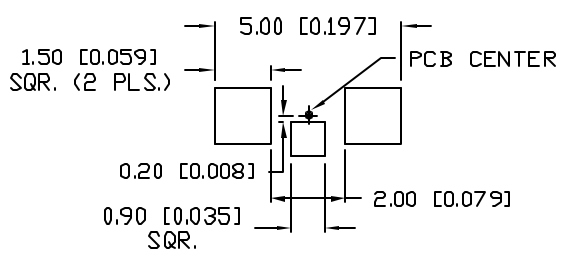


REFLOW PROFILE



RECOMMENDED PAD LAYOUT



ELECTRO-OPTICAL CHARACTERISTICS  $T_A=25^\circ\text{C}$   $I_f=20\text{mA}$

PARAMETER	MIN	TYP	MAX	UNITS	TEST COND
COLLECTOR DARK CURRENT			100	nA	$V_{ce0} = 10\text{V}$ $E_e = 0 \text{ mw/cm}^2$
COLLECTOR LIGHT CURRENT	0.1	0.3		mA	$V_{ce} = 5\text{V}$ $E_e = 1 \text{ mw/cm}^2$
COLLECTOR-EMITTER SATURATION VOLTAGE			0.8	V	$I_c = 2\text{mA}$ $E_e = 20 \text{ mw/cm}^2$
SWITCHING SPEEDS:					$I_f = 20\text{mA}$ $I_c = 1 \text{ mA}$ $R_l = 1000 \Omega$
RISING TIME		3		$\mu\text{S}$	
FALLING TIME		3		$\mu\text{S}$	
PEAK WAVELENGTH		940		nm	
LENS COLOR:	WATER CLEAR				

LIMITS OF SAFE OPERATION AT 25°C

PARAMETER	MAX	UNITS
COLLECTOR-EMITTER VOLTAGE ( $V_{ce0}$ )	30	V
EMITTER-COLLECTOR VOLTAGE ( $V_{ce0}$ )	5	V
POWER DISSIPATION	100	mW
OPERATING TEMP.	-40 TO +85	°C
STORAGE TEMP.	-40 TO +85	°C
SOLDERING TEMP.	+260	°C
		3 SEC. MAX

\*1/10 DUTY CYCLE,  $t_c < 10\mu\text{S}$  PULSE WIDTH

NOTES:

- 2,000 PER REEL.
- THE COLLECTOR IS ORIENTED TOWARDS THE TAPE SPROCKET HOLE.

**CAUTION: MOISTURE SENSITIVE DEVICE**  
 1. SHELF LIFE IN SEALED BAG:  
 12 MONTHS AT  $<40^\circ\text{C}$  AND  $<30\%$  RELATIVE HUMIDITY (RH).  
 2. AFTER THIS BAG IS OPENED, DEVICES HAVE TO BE MOUNTED WITHIN 48 HOURS OR STORED AT  $<30\%$  RH.

\*UNLESS OTHERWISE SPECIFIED TOLERANCES PER DECIMAL PRECISION ARE: X=±1 (±0.039), XX=±0.5 (±0.020), XXX=±0.25 (±0.010), XXXX=±0.127 (±0.005). LEAD SIZE=±0.05 (0.002), LEAD LENGTH=±0.75 (±0.030). MIN=+DECIMAL PRECISION -0.00, MAX=+0.00 -DECIMAL PRECISION

REV.	PART NUMBER OED-STR851C100-TR
------	----------------------------------

**CONFIDENTIAL INFORMATION**  
 THE INFORMATION CONTAINED IN THIS DOCUMENT IS THE PROPERTY OF LUMEX INC. EXCEPT AS SPECIFICALLY AUTHORIZED IN WRITING BY LUMEX INC., THE HOLDER OF THIS DOCUMENT SHALL KEEP ALL INFORMATION CONTAINED HEREIN CONFIDENTIAL AND SHALL PROTECT SAME IN WHOLE OR IN PART FROM DISCLOSURE AND DISSEMINATION TO ALL THIRD PARTIES.

**RELIABILITY NOTE**  
 OUR MANY YEARS OF EXPERIENCE DATA ACCUMULATION INDICATE THAT SOLDER HEAT IS A MAJOR CAUSE OF EARLY AND FUTURE FAILURE. PLEASE PAY ATTENTION TO YOUR SOLDERING PROCESS.

290 E. HELEN ROAD  
 PALATINE, IL 60067-6976  
 PHONE: +1.847.359.2790  
 US WEB: www.lumex.com  
 TW WEB: www.lumex.com.tw

1.0mm x 3.0mm PCB RIGHT ANGLE SURFACE MOUNT,  
 PHOTOTRANSISTOR, WATER CLEAR LENS, TAPE AND REEL.

DRAWN BY: GB	CHECKED BY:	APPROVED BY:	DATE: 4.25.02 PAGE: 1 OF 1 SCALE: N/A
-----------------	-------------	--------------	---