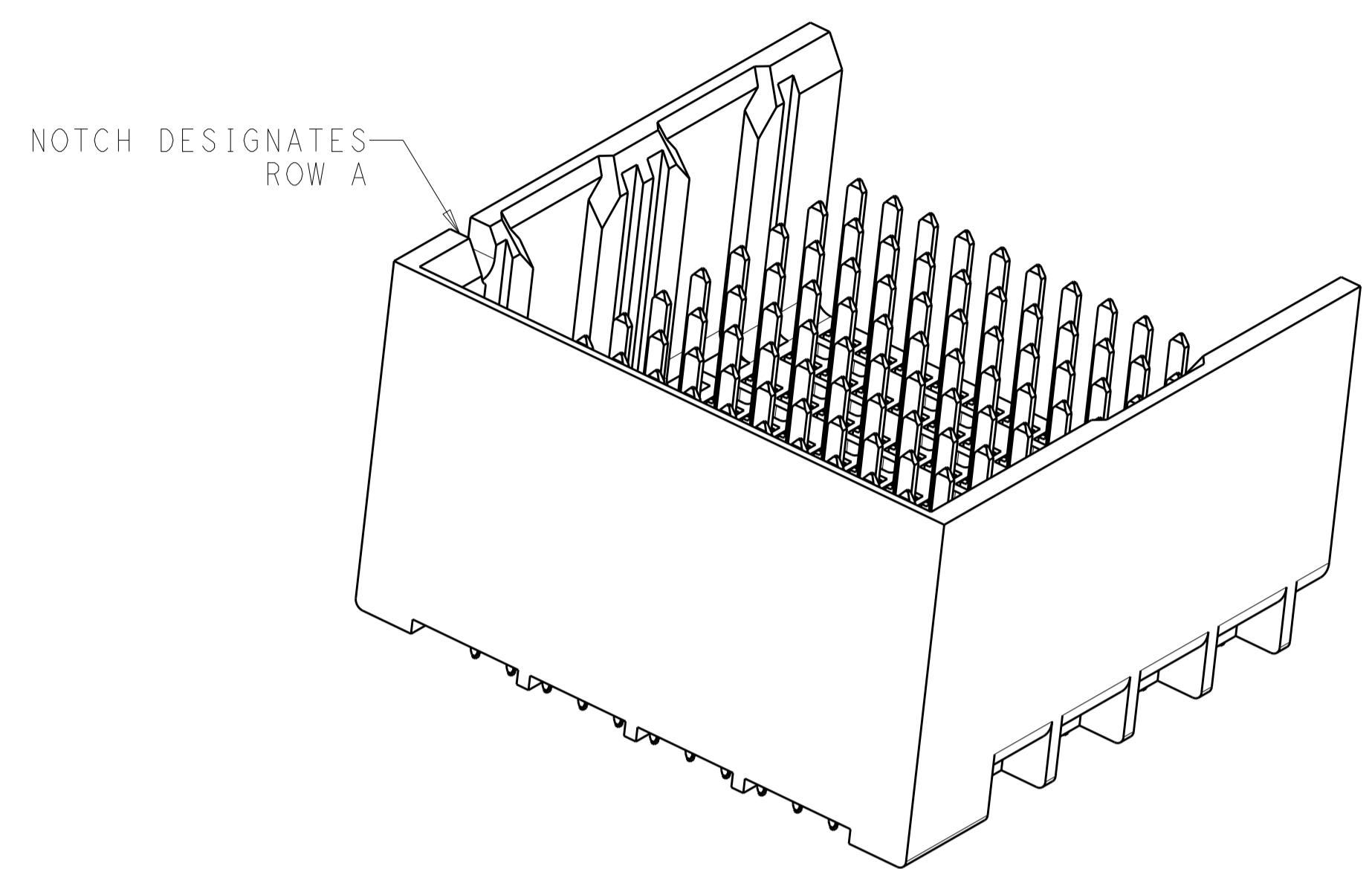
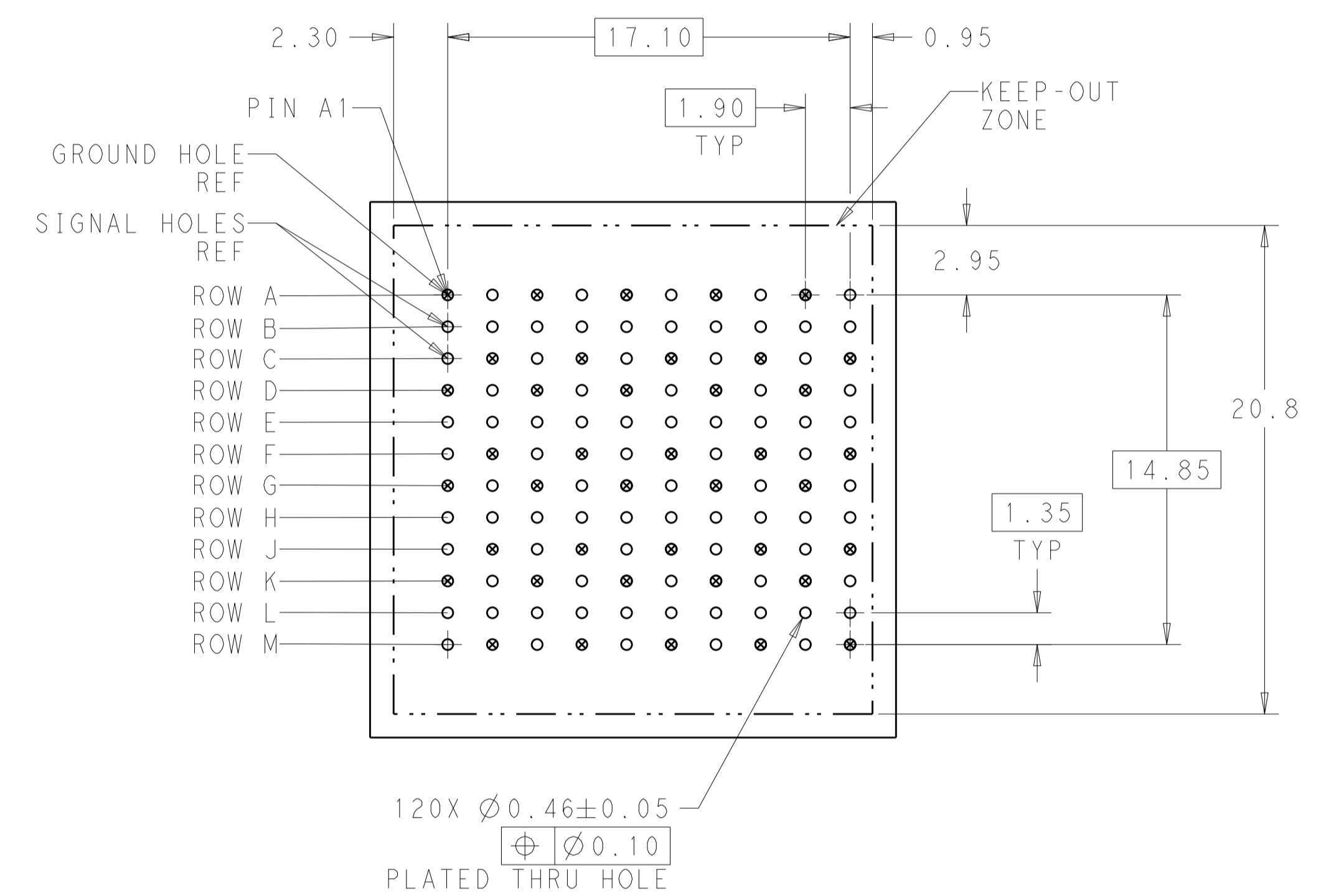
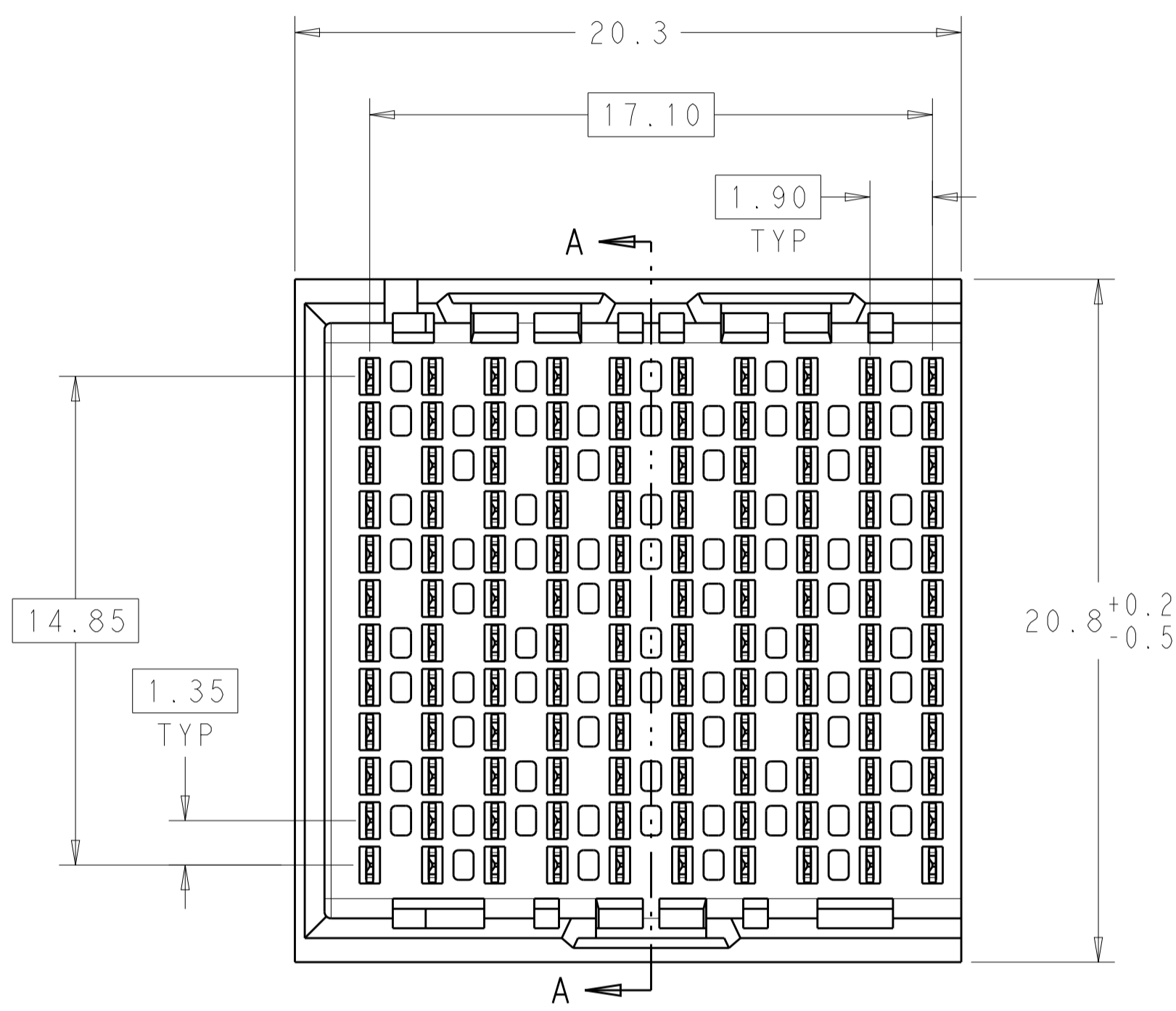


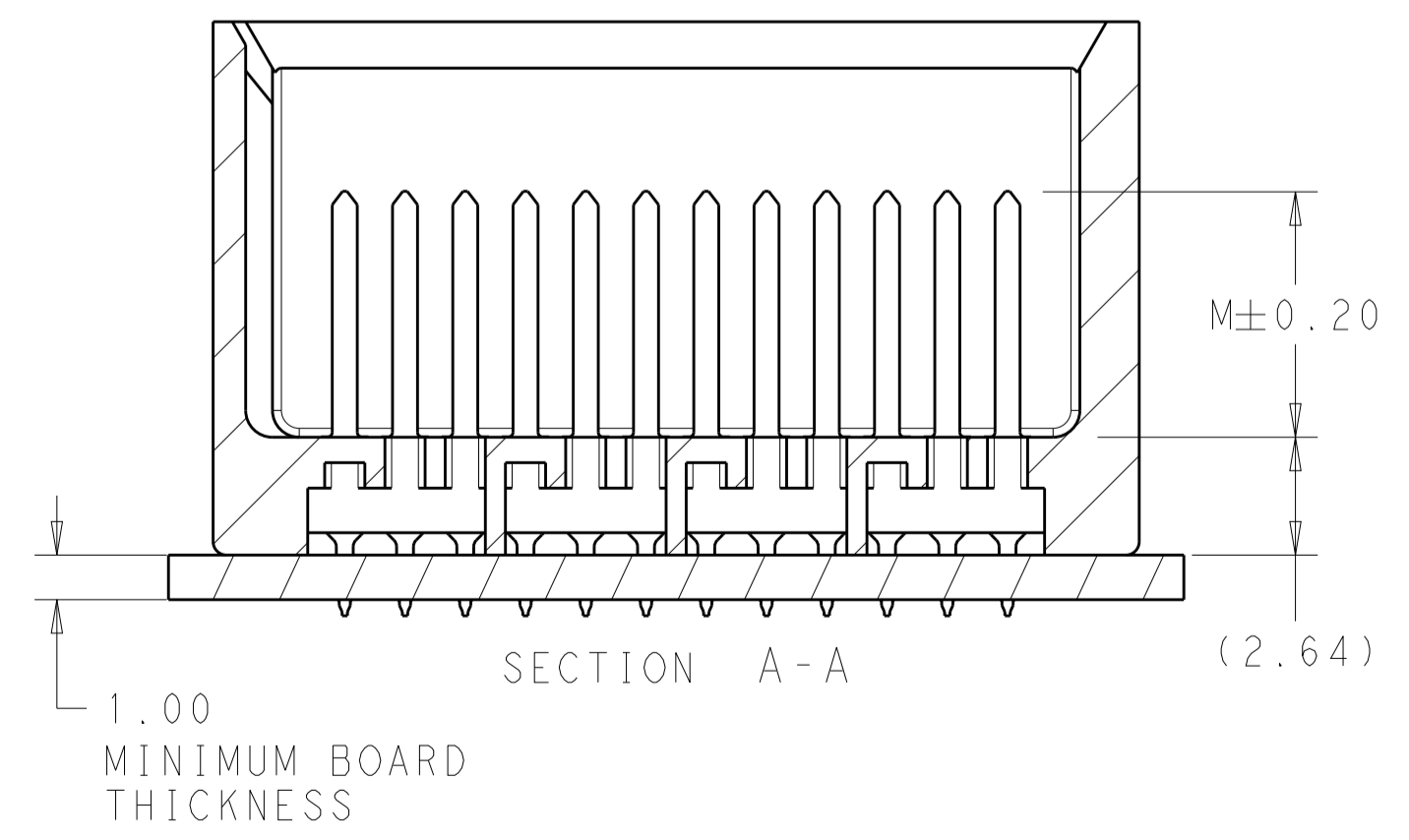
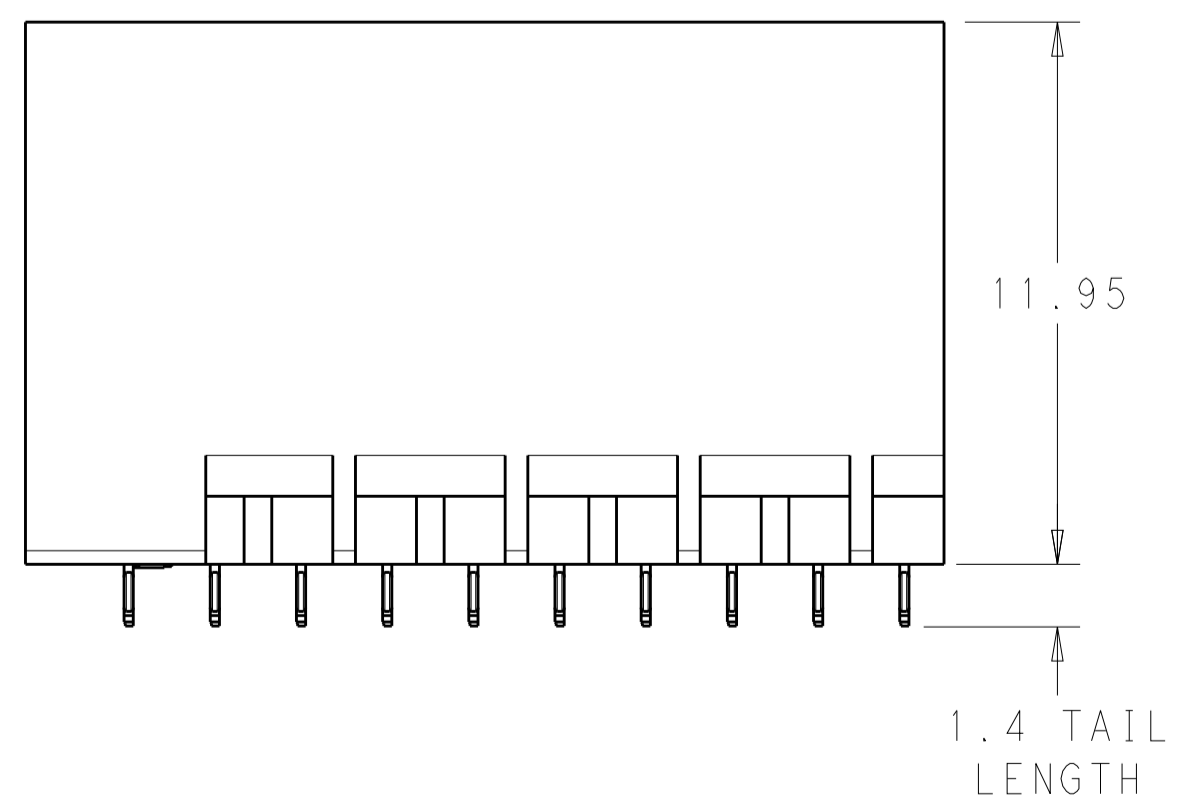
REVISIONS				
P.	LTN	DESCRIPTION	DATE	DWN APVD
A2		REVISED PER ECO-15-003239	24MAR2015	AP DD



- 1 MATERIAL:  
HOUSING: LCP, GLASS FILLED, UL94V-0.  
TERMINALS: HIGH PERFORMANCE COPPER ALLOY.
- 2 FINISH:  
30µ" MIN GOLD IN CONTACT AREA. SELECTIVE TIN ON PCB TAILS, NICKEL OVERALL.



120X Ø0.46±0.05  
 Ø0.10  
 PLATED THRU HOLE  
 UNGUIDED  
 BACKPLANE HOLE PATTERN  
 (CONNECTOR SIDE)



THIS DRAWING IS A CONTROLLED DOCUMENT.		DWN J. K. SHOBER 03JAN2011	TE Connectivity
DIMENSIONS:		CHK J. EARY 03JAN2011	
mm	TOLERANCES UNLESS OTHERWISE SPECIFIED:	APVD J. EARY 03JAN2011	NAME
0 PLC ±	1 PLC ±0.25	PRODUCT SPEC	IMPACT, 4 PAIR, 10 COLUMN, HEADER
2 PLC ±0.13	3 PLC ±	APPLICATION SPEC	UNGUIDED, LEFT END WALL
4 PLC ±	ANGLES ±	RESTRICTED TO	SIGNAL MODULE, 0.46 PTH
MATERIAL	FINISH SEE TABLE	WEIGHT	SIZE CAGE CODE DRAWING NO
		Customer Drawing	A100779C=2007817
		SCALE 6:1	SHEET 1 OF 2
		REV A2	

THIS DRAWING IS UNPUBLISHED. RELEASED FOR PUBLICATION 20  
 © COPYRIGHT 20 BY - ALL RIGHTS RESERVED.

REVISIONS					
P.	LTN	DESCRIPTION	DATE	DMN	APVD
-	-	SEE SHEET 1	-	-	-

	5.5	2007817-3
	4.9	2007817-2
	4.5	2007817-1
FINISH	DIM M	PART NUMBER

REFER TO WWW.TE.COM  
FOR PRODUCT AVAILABILITY

THIS DRAWING IS A CONTROLLED DOCUMENT.		DMN J. K. SHOBER 03JAN2011	
DIMENSIONS: mm		CHK J. EARY 03JAN2011	
TOLERANCES UNLESS OTHERWISE SPECIFIED: 0 PLC ± 1 PLC ±0.25 2 PLC ±0.13 3 PLC ± 4 PLC ±		APVD J. EARY 03JAN2011	NAME IMPACT, 4 PAIR, 10 COLUMN, HEADER UNGUIDED, LEFT END WALL SIGNAL MODULE, 0.46 PTH
ANGLES FINISH SEE TABLE		PRODUCT SPEC -	APPLICATION SPEC -
MATERIAL -		WEIGHT -	RESTRICTED TO -
Customer Drawing		SCALE 5:1	SHEET 2 OF 2
A100779C=2007817		REV A2	