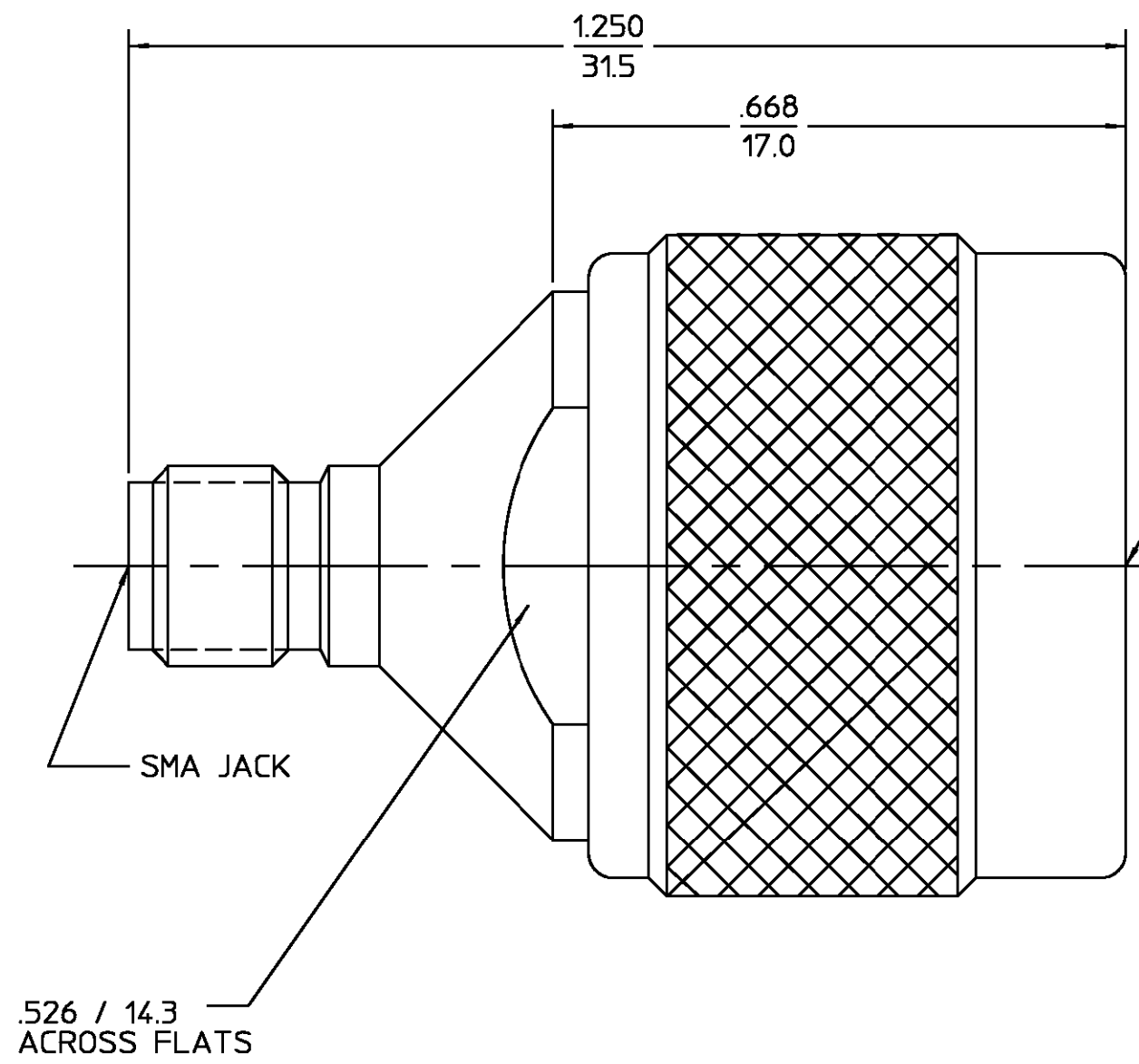


REVISIONS			
REV	DESCRIPTION	DATE	APPROVED
01 ₀	RELEASED	03/21/95	<i>AD</i>



**COPY IN PUERTO RICO
DESIGN CONTROL REQUIRED**

HOUSING COUPLING NUT	STAINLESS STEEL PER ASTM-A484 AND ASTM- A582, TYPE 303	PASSIVATE PER QQ-P-35
DIELECTRIC	TFE FLUOROCARBON PER ASTM-D-1457	N/A
CENTER CONTACT	BERYLLIUM COPPER PER ASTM-B-196 OR ASTM-B-197 ALLOY C17300, CONDITION H	GOLD PLATE PER MIL-G-45204
RETAINING RING	BERYLLIUM COPPER PER ASTM-B-194, ALLOY C17200, CONDITION H	N/A
GASKET	SILICONE RUBBER PER ZZ-R-765	N/A
COMPONENT	MATERIAL	FINISH

UNLESS OTHERWISE SPECIFIED DIMENSIONS ARE IN INCHES		DRAWN BY <i>J. D. Davis</i> DATE 03/21/95		AMP Incorporated	
FRAC. ± 1/64	DEC. ± .005	ANGLES ± 1°	CHECKED BY	140 Fourth Avenue Waltham, MA 02451-7599	
These drawings and specifications are the property of M/A COM Interconnect Div. and shall not be reproduced or copied or used in whole or in part as the basis for the manufacture or sale of item(s) without written permission.			APPD BY	AMP	
USE ASSY PROCEDURE			TITLE TYPE N PLUG TO SMA JACK ADAPTER		
NO. A.P. _____			SIZE B	CODE IDENT NO. 26805	1250-1250-00
			SCALE 5=1	REV 01 ₀	SHEET 1 OF 1

- NOTES:
- CAPTURED CENTER CONTACT
 - VSWR: DC-12.4GHz :1.06+.005fGHz MAX
12.4-18.0GHz : 0.83+.023fGHz MAX

.XXX = in
XX.X = mm

CUSTOMER DRAWING

AMP PART # 1046247-1
SHEET 1 OF 1 REV A