

General purpose dual output sensor

793T-3

SPECIFICATIONS

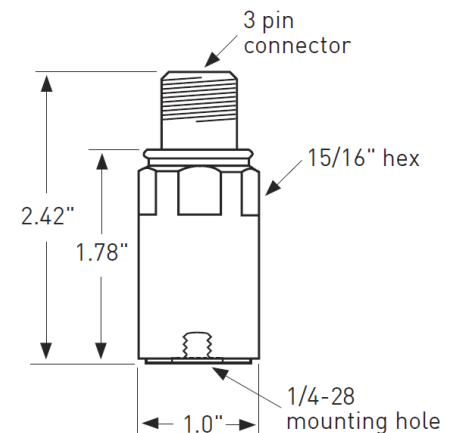
Sensitivity, $\pm 5\%$, 25°C		100 mV/g
Acceleration range		80 g peak
Amplitude nonlinearity		1%
Frequency response:	$\pm 5\%$	1.5 - 5,000 Hz
	$\pm 10\%$	1.0 - 7,000 Hz
	± 3 dB	0.5 - 15,000 Hz
Resonance frequency		24 kHz
Transverse sensitivity, max		5% of axial
Temperature response:	-50°C	-10%
	+120°C	+5%
Temperature output sensitivity, $\pm 5\%$		10 mV/°K
Temperature measurement range		223 to 390°K (-50° to 120°C)
Power requirement:	Temp sensor	Accelerometer
Voltage source	18 - 30 VDC	18 - 30 VDC
Current regulating diode	2 - 4 mA	2 - 10 mA
Electrical noise, equiv. g:		
Broadband	2.5 Hz to 25 kHz	600 μ g
Spectral	10 Hz	8 μ g/ $\sqrt{\text{Hz}}$
	100 Hz	5 μ g/ $\sqrt{\text{Hz}}$
	1,000 Hz	5 μ g/ $\sqrt{\text{Hz}}$
Output impedance, max		100 Ω
Bias output voltage		12 VDC
Grounding		case isolated, internally shielded
Temperature range		-50° to +120°C
Vibration limit		500 g peak
Shock limit		5,000 g
Electromagnetic sensitivity, equiv. g		10 μ g/gauss
Sealing		hermetic
Base strain sensitivity, max		0.0005 g/ μ strain
Sensing element design		PZT ceramic / compression
Weight		115 grams
Case material		316L stainless steel
Mounting		1/4-28 tapped hole
Output connector		3 pin, MIL-C-5015 style
Mating connector		R6G type
Recommended cabling		J9T3A

Accessories supplied: SF6 mounting stud (metric mounting available); calibration data (level 3)



Key features

- Accelerometer with internal temperature sensor
- Manufactured in ISO 9001 facility



Connections	
Function	Connector pin
accel power/signal	A
accel/temp sensor common	B
temp sensor power/signal	C
ground	shell



Note: Due to continuous process improvement, specifications are subject to change without notice. This document is cleared for public release.