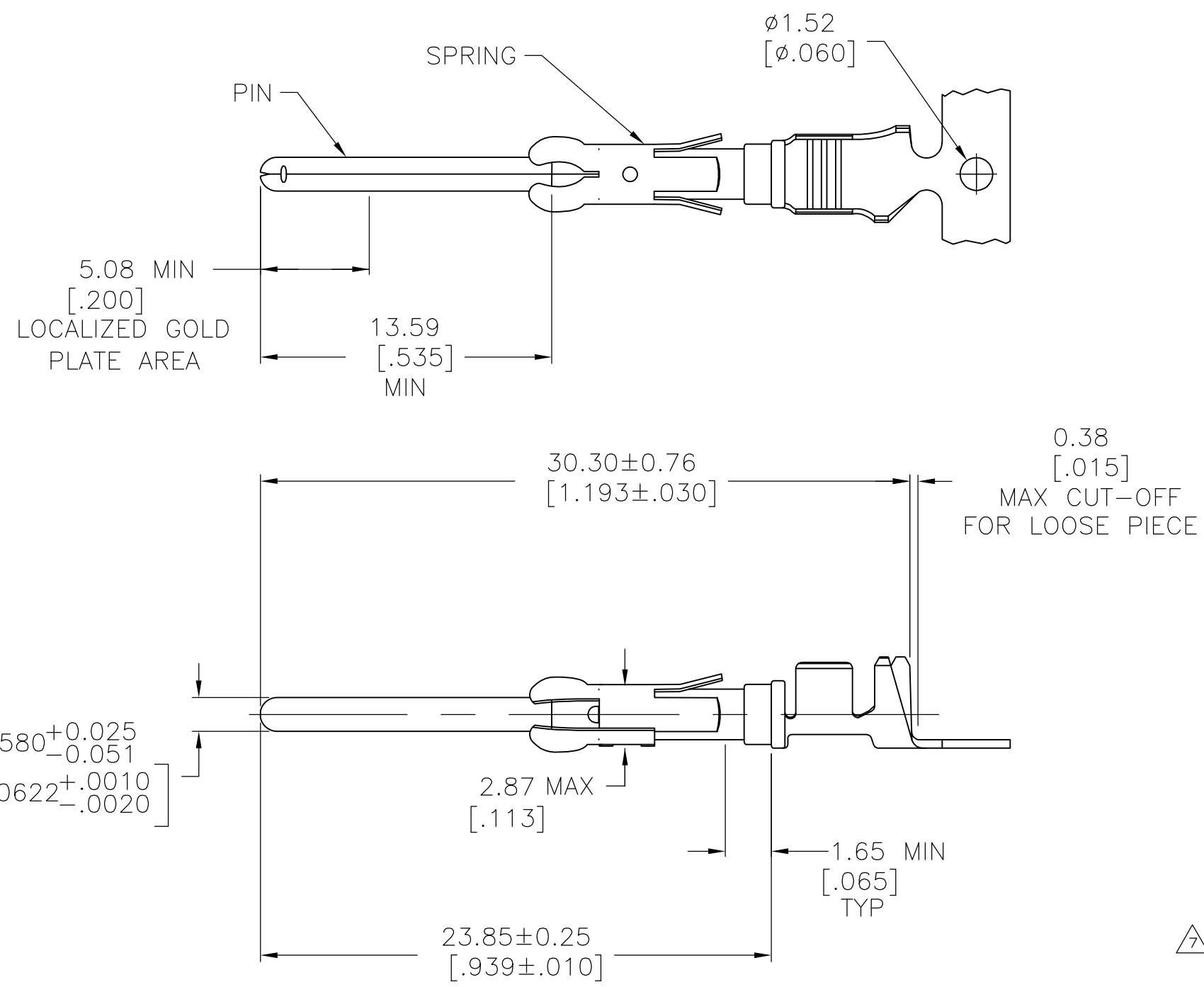


THIS DRAWING IS UNPUBLISHED. RELEASED FOR PUBLICATION  
 © COPYRIGHT - By - ALL RIGHTS RESERVED.

REVISIONS				
P	LTR	DESCRIPTION	DATE	APVD
	F3	REVISED PER ECO-16-004800	08SEP2016	NK MZ



- 1 STAINLESS STEEL.
- 2 BRASS.
- 3 1.27μm [.000050] MIN TIN-LEAD OVER 1.27μm [.000050] MIN NICKEL.
- 4 WIRE RANGE: 14-18 AWG. INSULATION RANGE: 2.79-3.81 [.110-.150] DIA.
- 5 0.76μm [.000030] MIN GOLD IN LOCALIZED GOLD PLATE AREA, OVER 1.27μm [.000050] MIN NICKEL.
- 6 1.27μm [.000050] MIN TIN OVER 1.27μm [.000050] MIN NICKEL.
- 7 OBSOLETE PARTS: OBSOLETE CIS STREAMLINING PER D.RENAUD/D.SINISI

	LOOSE PIECE	6	213603-6
	STRIP	6	213603-5
7	OBSOLETE LOOSE PIECE	5	<del>213603-4</del>
	STRIP	5	213603-3
OBSOLETE	LOOSE PIECE	3	<del>213603-2</del>
	STRIP	3	213603-1
	DESCRIPTION	PIN FINISH	PART NO.

THIS DRAWING IS A CONTROLLED DOCUMENT.		DWN L.SIPE 05/07/90	TE Connectivity		
DIMENSIONS: mm [INCHES]		CHK R STONE 5-17-90			
TOLERANCES UNLESS OTHERWISE SPECIFIED:		APVD -	NAME		
0 PLC ± - 1 PLC ± - 2 PLC ± 0.13 [.005] 3 PLC ± - 4 PLC ± - ANGLES ± -		PRODUCT SPEC -	PIN ASSEMBLY, 5015 SERIES, 14-18 AWG, SPECIAL TYPE III+		
MATERIAL SPRING: 1 PIN: 1		APPLICATION SPEC -	SIZE A3	CAGE CODE 00779	DRAWING NO C-213603
FINISH SEE TABLE		WEIGHT -	RESTRICTED TO -		
		CUSTOMER DRAWING	SCALE 4:1	SHEET 1 OF 1	REV F3