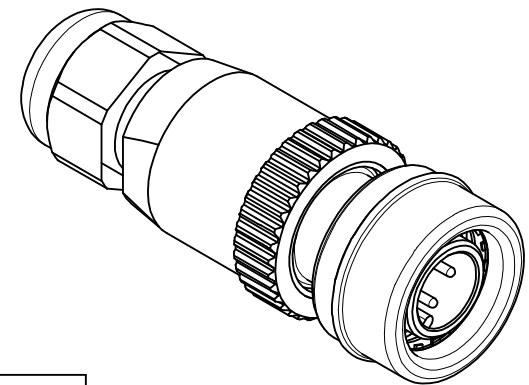
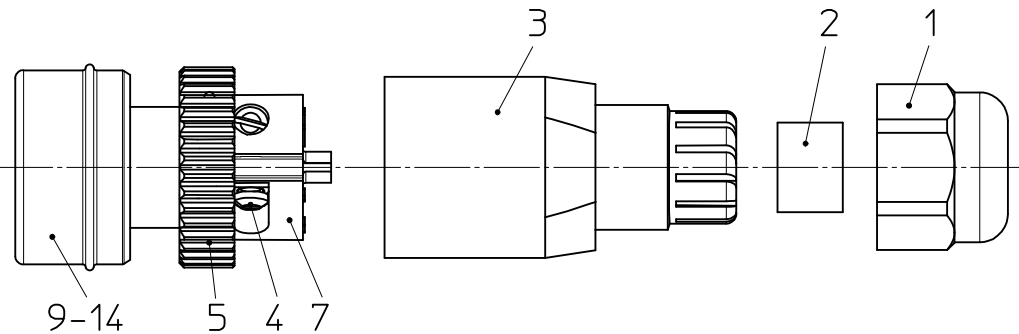


CABLE RANGE PG7
 Ø2,5 - Ø6,5mm



VOLTAGE RATING: 4 POLE: 250 VAC/VDC
 AMPERAGE RATING: 4A
 PROTECTION CLASS: IP 67
 OPERATING TEMPERATURE: -25°C / 90°C
 CSA CERTIFICATIONS: FILE NO. LR6837

ITEM	QTY	DESCRIPTION	MATERIAL	FINISH
14	1	GASKET OR	NBR (BLACK)	-
13	1	SLEEVE U12 MA STR	V4A	-
12	1	SLEEVE MA	V4A	-
11	1	SPRING U12U	V4A	-
10	1	GASKET	EPDM (BLACK)	-
9	1	GASKET	FPM (RED)	-
8	4	CONTACT MA U12 FA	BRASS	NI
7	1	INSERT U12 FA	PA (BLACK)	-
6	1	INSERT U12 4P AC	PA (BLACK)	-
5	1	LOCK RING FA	PA (BLACK)	-
4	4	SCREW FA	ST	-
3	1	ENDSLEEVE STR PG7 FA	PA (BLACK)	-
2	1	GROMMET PG7	CR/NBR (BLACK)	-
1	1	HUT NUT FA PG7	PA (BLACK)	-

POL	MATERIAL NO.	ENGINEERING NO.
4	1200850021	WA4006-318

ENTER DESCRIPTION EC NO: IPG2016-1096 DRW:RSCHIEBER 2016/02/16 CHKD:REISSNER 2016/02/16 APPR:RSILLER 2016/03/01	REV 2	DESCRIPTION QUALITY SYMBOLS ▽=0 ▽=0	GENERAL TOLERANCES (UNLESS SPECIFIED)		DIMENSION STYLE MM ONLY		SCALE 2:1	DESIGN UNITS METRIC	THIRD ANGLE PROJECTION	
			4 PLACES ± --- ± --- 3 PLACES ± --- ± --- 2 PLACES ± 0.05 ± --- 1 PLACE ± 0.30 ± --- 0 PLACE ± 0.50 ± ---		DRAWN BY RSCHIEBER	DATE 2016/02/10	TITLE FA U12 4P AC MA STR PG7 BK V4A			
			ANGULAR ± 1 °		CHECKED BY REISSNER	DATE 2016/02/10	MATERIAL NO. SEE TABLE			
			DRAFT WHERE APPLICABLE MUST REMAIN WITHIN DIMENSIONS		APPROVED BY RSILLER	DATE 2016/03/01	DOCUMENT NO. SD-120085-010		SHEET NO. 1 OF 1	



THIS DRAWING CONTAINS INFORMATION THAT IS PROPRIETARY TO MOLEX INCORPORATED AND SHOULD NOT BE USED WITHOUT WRITTEN PERMISSION