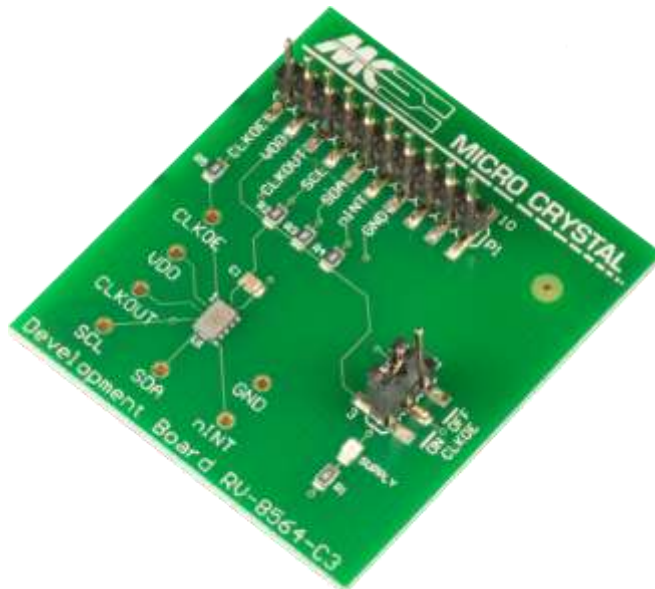


DEVELOPMENT BOARD



RV-8564-C3

Low-Power Real Time Clock / Calendar Module

DATE:	April 2016	Page 1/3	Revision No.: 2
-------	------------	----------	-----------------

Headquarters: Micro Crystal AG
Muelestrasse 14
CH-2540 Grenchen
Switzerland

Tel. +41 32 655 82 82
Fax +41 32 655 82 83
Internet www.microcrystal.com
Email sales@microcrystal.com

RV-8564-C3

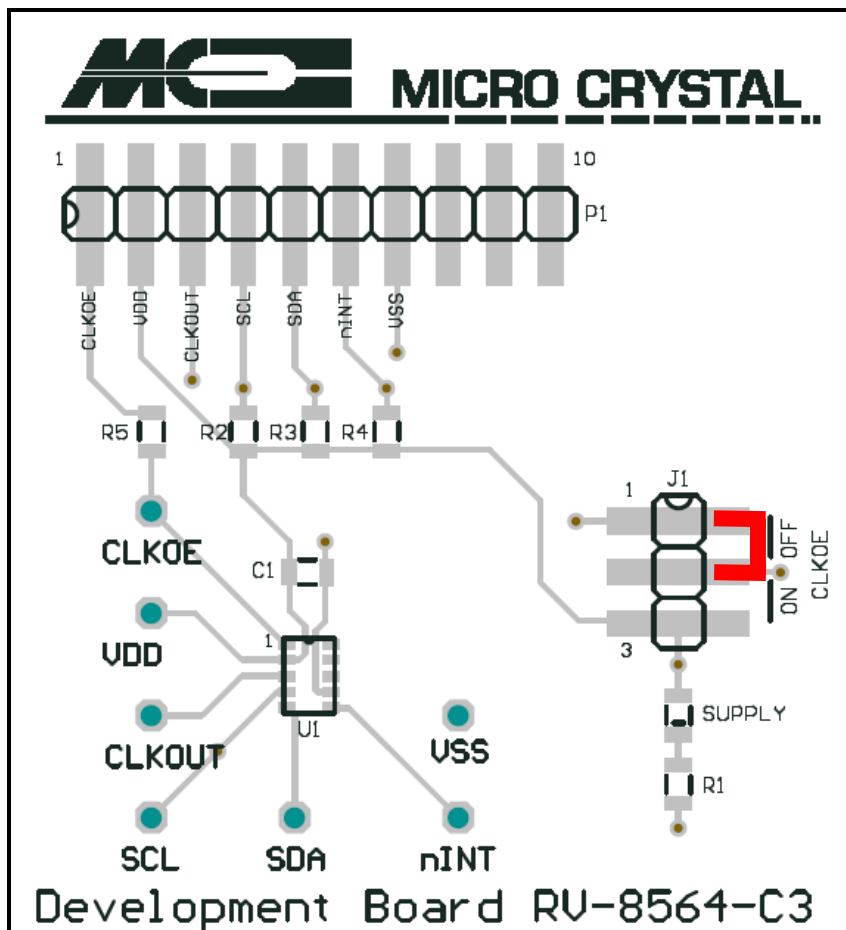
The RV-8564-C3 is soldered onto the Development Board.

Every pin is either accessible at test pins 1 – 10 or at the test vias situated around the device.

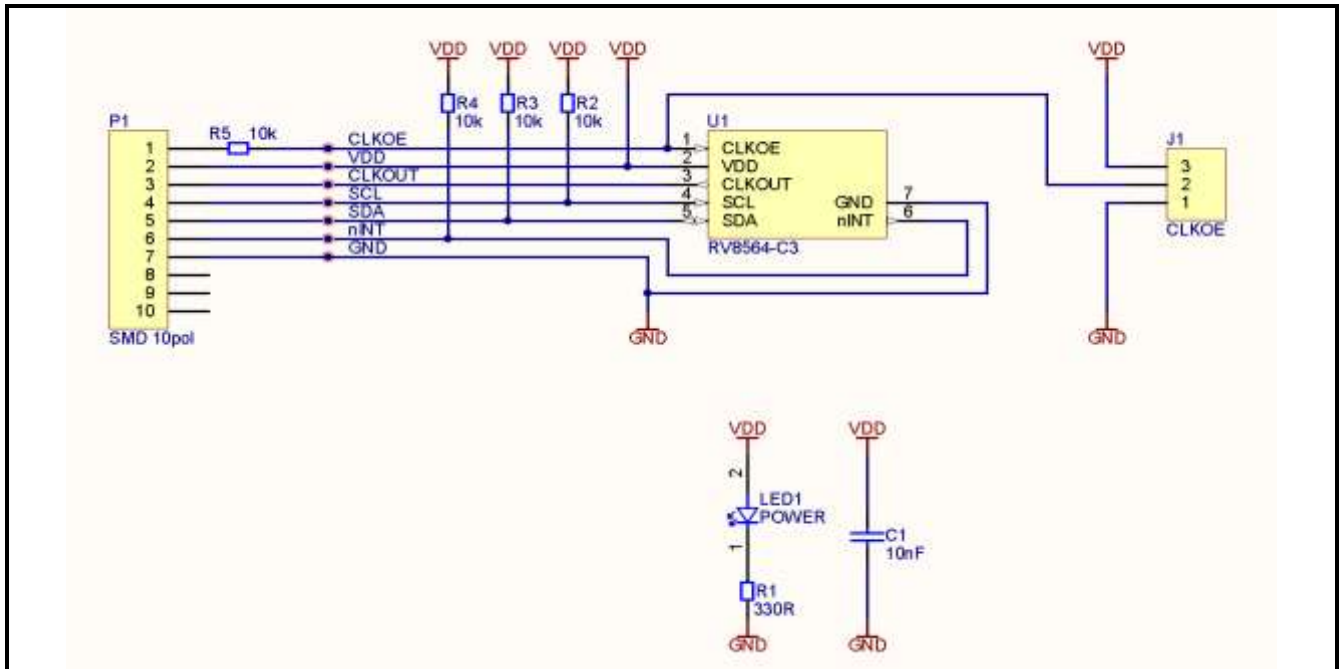
The following passive components are already soldered on the Board:

C1	10 nF	Decoupling capacitor between V _{SS} and V _{DD}
R1	330 Ω	current limiting resistor for LED
LED	green	Supply, current consumption of the LED has to be considered
R2	10 kΩ	Pull-up resistor SCL to V _{DD}
R3	10 kΩ	Pull-up resistor SDA to V _{DD}
R4	10 kΩ	Pull-up resistor nINT to V _{DD}
R5	10 kΩ	Protection resistor to prevent short-circuit between external CLKOE signal and Jumper.

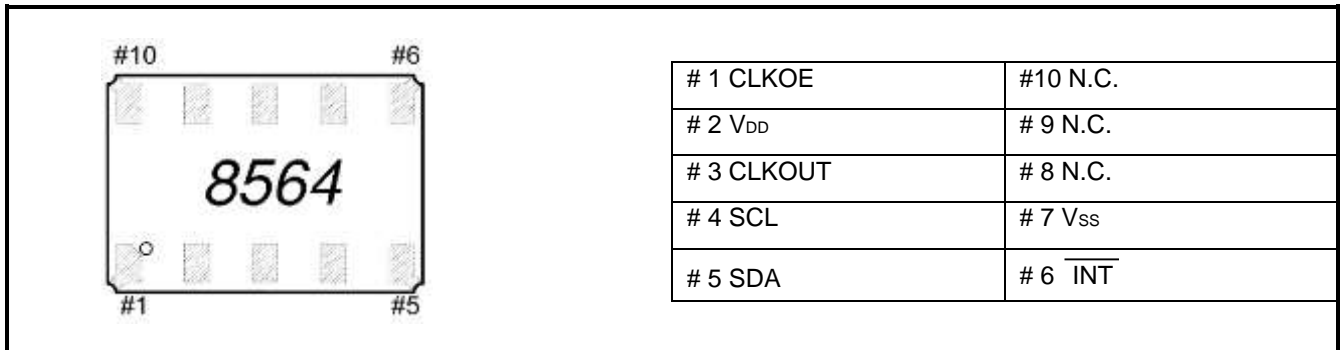
DEVELOPMENT BOARD



SCHEMATICS



PINOUT RV-8564-C3



PIN DESCRIPTION

Symbol	Pin #	Description
CLKOE	1	CLKOUT enable/disable pin; enable is active HIGH
V _{DD}	2	Positive supply voltage; recommended 10 nF decoupling capacitor close to device
CLKOUT	3	Clock Output pin; push-pull output; at power-up by default 32.768kHz
SCL	4	Serial Clock Input pin; requires pull-up resistor
SDA	5	Serial Data Input-Output pin; open-drain; requires pull-up resistor.
INT	6	Interrupt Output pin; open-drain; active LOW
V _{SS}	7	Ground
NC	8	Not Connected
NC	9	Not Connected
NC	10	Not Connected