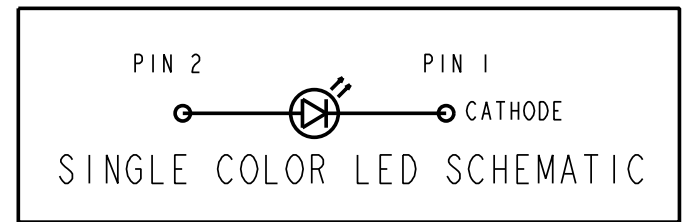
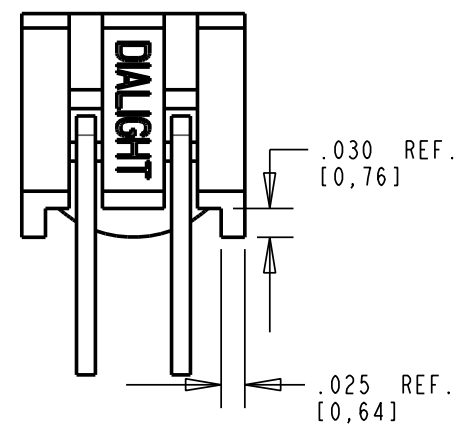
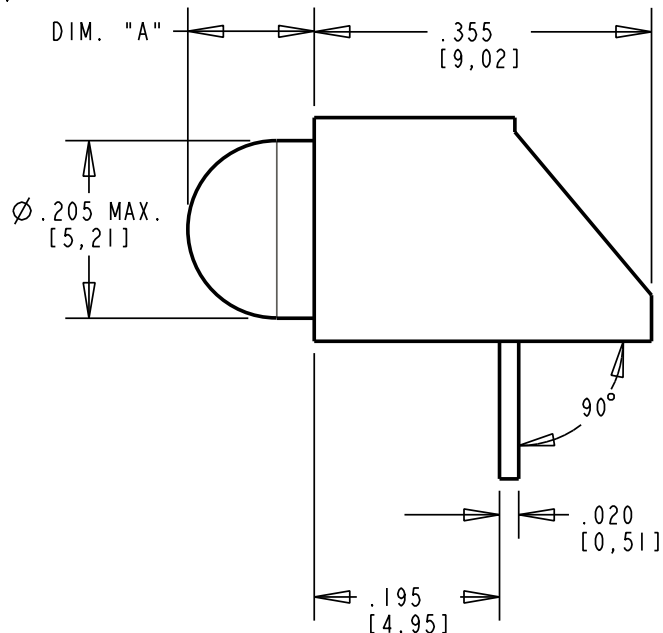
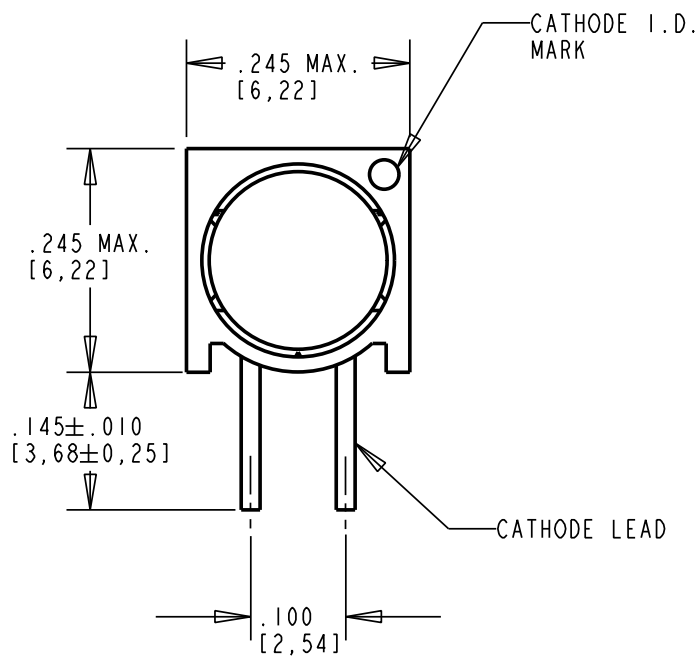


ASSEMBLY NUMBER	LENS COLOR	DIM. "A"
550-0207F	GREEN DIFFUSED	.135
550-0307F	YELLOW DIFFUSED	.135
550-0407F	RED DIFFUSED	.135
550-1007F	BLUE NON-DIFFUSED	.193
550-6007F	WHITE NON-DIFFUSED	.193

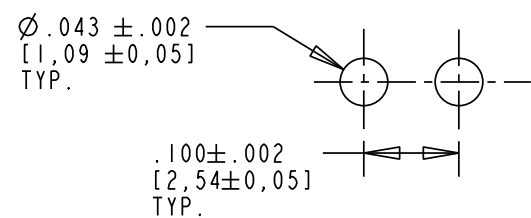
OPERATING CHARACTERISTICS AT T _a = 25°C								
LED CHARACTERISTICS		GREEN	YELLOW	RED	BLUE	WHITE	UNITS	TEST CONDITIONS
LUMINOUS INTENSITY	MIN.	3.5	3.5	3.5	520	880	mcd	I _f = 20 mA
	TYP.	12.3	12.3	12.3	1010	1700		
PEAK WAVELENGTH	TYP.	565	585	635	470	SEE CHART	nm	I _f = 20 mA
FORWARD VOLTAGE	TYP.	2.1	2.1	2.0	3.8	3.8	V	I _f = 20 mA
	MAX.	2.8	2.8	2.8	4.0	4.0		
REVERSE CURRENT	MAX.	100	100	100	100	10	μA	V _r = 5 V
VIEWING ANGLE (2 θ 1/2)	TYP.	60	60	60	30	30	DEG	
CAPACITANCE	TYP.	35	16	20	43	70	pF	V _f = 0; f = 1 MHz

REV.	ECN NO.	REVISIONS	DRN.	CKD.	APP.	DATE
A	—	NEW RELEASE	TWC			



NOTES:

- LAMP MUST BE SEATED ALL THE WAY DOWN INTO HOUSING. BENDS MUST BE TIGHT, NO LONGITUDINAL TRAVEL ALONG AXIS ALLOWED.
- LEADS TO BE FREE OF DEFORMATION AFTER BENDING AND CUTTING.
- LED LEAD DIMENSIONS SHOWN ARE MEASURED AT HOUSING EXIT.
- THIS ASSEMBLY CONTAINS ELECTROSTATIC DISCHARGE SENSITIVE DEVICES(ESDS). MAINTAIN ALL PRECAUTIONARY MEASURES DURING ASSEMBLY, HANDLING AND STORAGE IN ACCORDANCE WITH IPC-A-610.
- DIALIGHT PART NUMBER: 550-0207F, -0307F, -0407F, -1007F, -6007F



RECOMMENDED PC BOARD HOLE PATTERN

RoHS Compliant 550-XX07F Thru hole CBI

Part Numbers with the "F" suffix ending are RoHS Compliant.
 Example: 550-0207F
 The bag packaging is marked with "RoHS Compliant" label or equivalent markings.
 Parts can be wave soldered, dip soldered or hand soldered using typical lead-free soldering process with max 260°C temp. for 5 sec.



ATTENTION:
 OBSERVE PRECAUTIONS FOR
 HANDLING ELECTROSTATIC
 SENSITIVE DEVICES

ABSOLUTE MAXIMUM RATINGS AT T_a = 25°C

PARAMETER	LED COLOR					UNITS
	GREEN	YELLOW	RED	BLUE	WHITE	
POWER DISSIPATION	100	60	80	120	120	mW
CONTINUOUS FORWARD CURRENT	30	20	40	30	30	mA
PEAK FORWARD CURRENT(1/10 DUTY CYCLE, 0.1 ms PULSE WIDTH)	120	80	200	100	100	mA
DERATING LINEARLY FROM 25°C	0.4	0.25	0.5	0.55	0.35	mA/°C
REVERSE VOLTAGE	5					V
SOLDERING TEMPERATURE(.063 IN. FROM BODY)	260°C FOR 5 SEC.					°C
OPERATING TEMPERATURE	-55 TO +100		-40 TO +80			°C
STORAGE TEMPERATURE	-55 TO +100		-40 TO +100			°C

BIN	LIMITS (CHROMATICITY COORDINATES)				
	X	Y	Z	U	V
1	X	0.330	0.330	0.356	0.361
	Y	0.360	0.318	0.351	0.385
2	X	0.287	0.296	0.330	0.330
	Y	0.295	0.276	0.318	0.339
3	X	0.264	0.280	0.296	0.283
	Y	0.267	0.248	0.276	0.305
4	X	0.283	0.287	0.330	0.330
	Y	0.305	0.295	0.339	0.360

THIS DRAWING AND THE CONTENTS HEREIN ARE CONFIDENTIAL AND THE SOLE PROPERTY OF DIALIGHT. REPRODUCTION OF THIS DRAWING OR CONSTRUCTION OF ANY PARTS WITHIN THIS DRAWING ARE FORBIDDEN WITHOUT THE WRITTEN CONSENT OF DIALIGHT.

SCALE: 5.000	DRAWING NUMBER	REV
ALL DIM'S IN: INCHES (MM)	C-17299	A
TOLERANCES: UNLESS OTHERWISE SPECIFIED	TITLE 5mm LED CBI RoHS COMPLIANT	
FRACTIONS: ±1/64 DECIMALS (.XX): ±.01 DECIMALS (.XXX): ±.005 DECIMALS (.XXXX): ±.0005 ANGLES: ±1°	MATERIAL	
FINISH:	Dialight 1501 ROUTE 34 SOUTH FARMINGDALE, NJ 07727	
FSCM 83330	SHEET 1 OF 1	FAMILY TABLE: