

TABLE 1

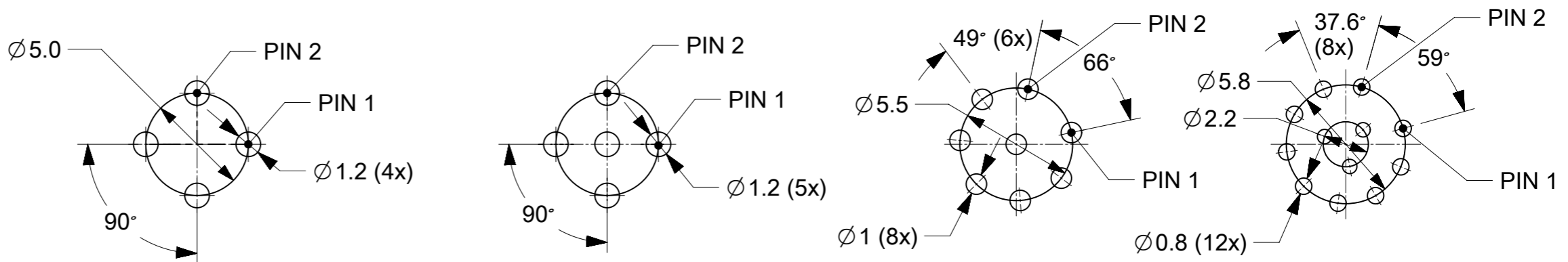
ITEM	QTY.	COMPONENT	MATERIAL	FINISH
1	1	REC SHELL MALE	BRASS	NICKEL PLATED
2	1	INSERT	PA	BLACK
3	4/5/8/12	PIN CONTACT 0.6mm	BRASS	CuZn Ni/Au
4	1	LOCKNUT	BRASS	Ni PLATED
5	1	O-RING 16x1.5	EPDM	BLACK
6	1	O-RING 7.1x1.35	VITON	RED
7	-	POTTING MATERIAL	EPOXY	NONE

THIS DRAWING CONTAINS INFORMATION THAT IS PROPRIETARY TO MOLEX ELECTRONIC TECHNOLOGIES, LLC AND SHOULD NOT BE USED WITHOUT WRITTEN PERMISSION

2017/12/21	2017/12/21	GENERAL TOLERANCES (UNLESS SPECIFIED)		DIMENSION UNITS	SCALE					
		ANGULAR TOL ± 1.0 °		mm	2:1					
EC NO: 169742	DRWN: RSILLER	4 PLACES	±	DRWN BY	DATE		REC U12 XP AC FE M16 BM SOL BRA AU			
		3 PLACES	±	SSM	2017/09/27					
CHK'D:	APPR:	2 PLACES	± 0.05	CHK'D BY	DATE	PRODUCT CUSTOMER DRAWING				
		1 PLACE	± 0.1	CHKD BY	DATE					
A1	REV	0 PLACES	±	APPR BY	DATE	SERIES	MATERIAL NUMBER	CUSTOMER		
		DRAFT WHERE APPLICABLE MUST REMAIN WITHIN DIMENSIONS		RSILLER	2017/12/06	120084	SEE TABLE 2	GENERAL MARKET		
				DRAWING SIZE	THIRD ANGLE PROJECTION	DOCUMENT NUMBER		DOC TYPE	DOC PART	SHEET NUMBER
				A3		1200845175		PSD	000	1 OF 2

TABLE 3

MATERIAL-NO.	1200845175	1200845179	1200840048	1200845176
ENG-NO.	WR4W400003	WR5W400003	WR8W400003	WRCW400003
LAYOUT				
VOLTAGE RATING	250V	60V	30V	30V
AC/DC CODING	A - Code	A - Code	A - Code	A - Code
AMPERE RATING	4A	4A	2A	1.5A
PROTECTION CLASS CONNECTOR INTERFACE SHELL TO ENCLOSURE	IP67/69K (in mated condition / when properly installed)			
OPERATING TEMP.	-25°C / 85°C			
UL CERTIFICATION	FILE NO. E152210			
CSA CERTIFICATION	FILE NO. LR6837			
PIN DIAMETER	1.0 mm	1.0 mm	0.8 mm	0.6 mm



**DRILL LAYOUT BACKSIDE**

TABLE 2

MOLEX P/N	ENGINEERING NR.	DESCRIPTION
1200845175	WR4W400003	REC U12 4P AC FE M16 BM SOL BRA AU
1200845179	WR5W400003	REC U12 5P AC FE M16 BM SOL BRA AU
1200840048	WR8W400003	REC U12 8P AC FE M16 BM SOL BRA AU
1200845176	WRCW400003	REC U12 12P AC FE M16 BM SOL BRA AU

THIS DRAWING CONTAINS INFORMATION THAT IS PROPRIETARY TO MOLEX ELECTRONIC TECHNOLOGIES, LLC AND SHOULD NOT BE USED WITHOUT WRITTEN PERMISSION

EC NO: 169742 DRWN: RSILLER CHK'D: REV APPR: RSILLER	2017/12/21	2017/12/21	GENERAL TOLERANCES (UNLESS SPECIFIED)	DIMENSION UNITS	SCALE	
			ANGULAR TOL ± 1.0 °	mm	2:1	
	4 PLACES ±			DRWN BY	DATE	
	3 PLACES ±			SSM	2017/09/27	
			2 PLACES ± 0.05	CHK'D BY	DATE	REC U12 XP AC FE M16 BM SOL BRA AU
			1 PLACE ± 0.1	CHKD BY		
			0 PLACES ±	APPR BY	DATE	
				RSILLER	2017/12/06	
			DRAFT WHERE APPLICABLE MUST REMAIN WITHIN DIMENSIONS	DRAWING SIZE	THIRD ANGLE PROJECTION	PRODUCT CUSTOMER DRAWING
				A3		SERIES: 120084 MATERIAL NUMBER: SEE TABLE 2 CUSTOMER: GENERAL MARKET
						DOCUMENT NUMBER: 1200845175 DOC TYPE: PSD DOC PART: 000 SHEET NUMBER: 2 OF 2