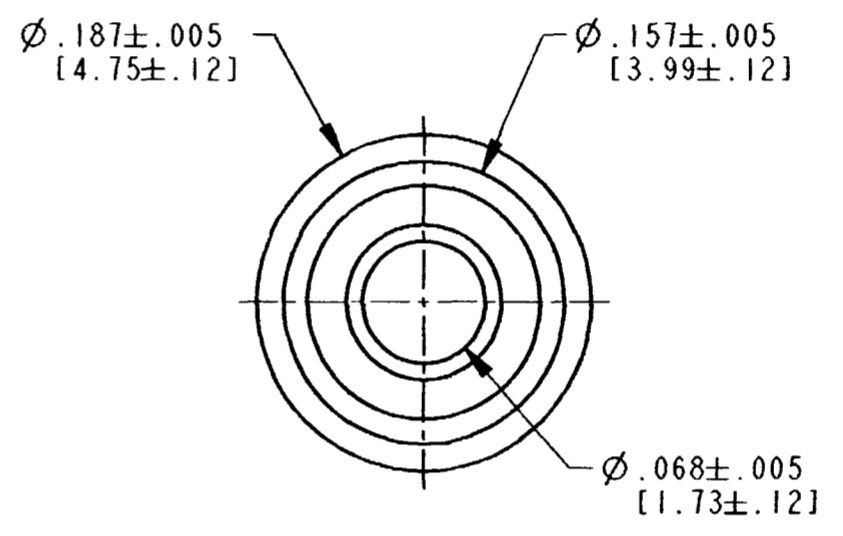
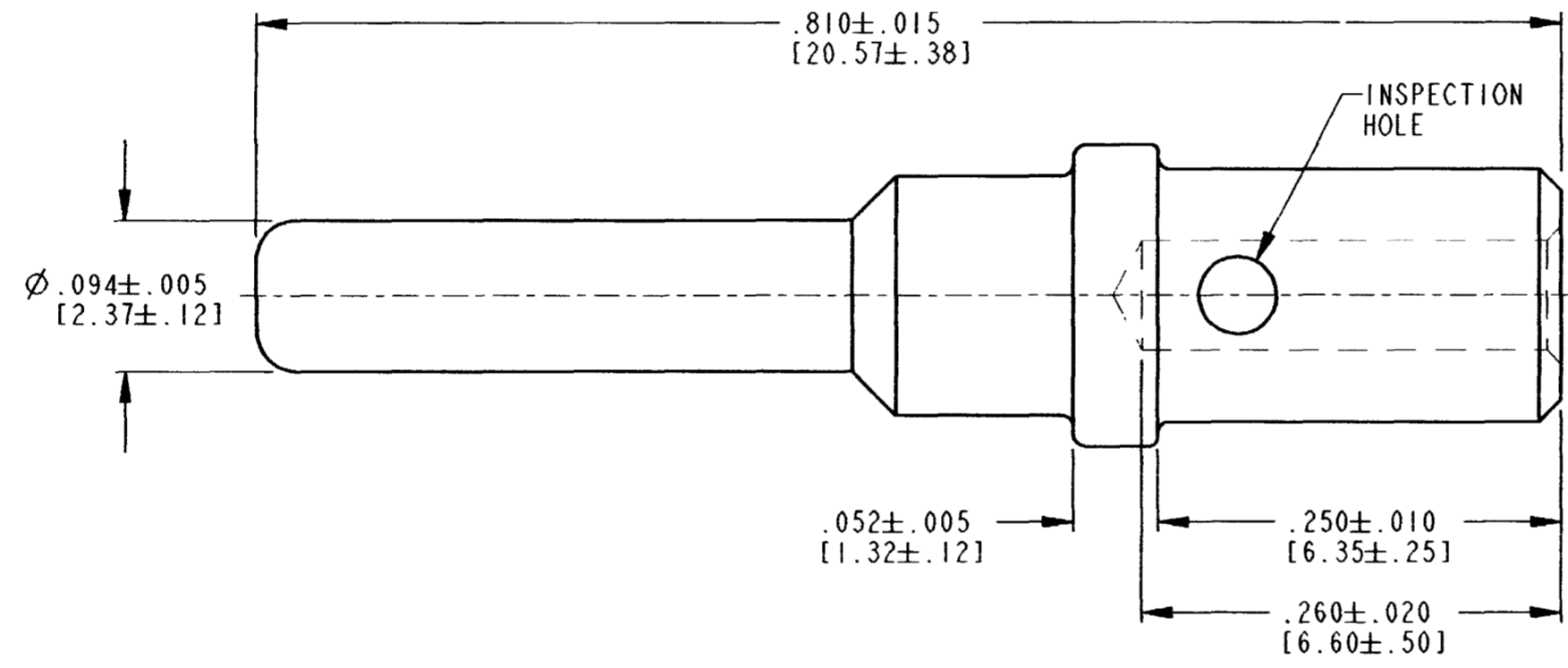


REV
B 0460-256-12**

REVISIONS			
SYM	DESCRIPTION	DATE	APPROVED
NC	NEW RELEASE PER E.O. A13672	8-27-93	J.A.
A	REVISED PER E.O. A13689	10-29-93	J.A.
B	REVISED & REDRAWN PER E.O. P19437	12-8-06	RDR



- NOTES:
- FOR CRIMPING INFORMATION SEE DRAWING 0425-205-0000.
 - DIMENSIONS ARE IN INCHES [mm].
 - WHEN ** = 233: PLATING IS GOLD.
 - FOR CONTACT PERFORMANCE AND APPLICATION CHARACTERISTICS SEE DRAWING 0425-015-0000.

SIGNATURE & DATE	
DR	J. APOSTOL 26OCT2006
CHK	[Signature] 12/15/06
PE	[Signature] 12/15/06
APPD	R. Reed 12-18-06
SCALE	NONE WT

CONTACT PIN
SIZE 12
REDUCED CRIMP BARREL

ENVELOPE

EP	MATL. CODE
The Deutch Company DEUTSCH I. P. D. 3850 INDUSTRIAL AVE. HEMET, CALIF. 92545	
B	0460-256-12**
DWG SIZE	CODE 11139 SHEET OF