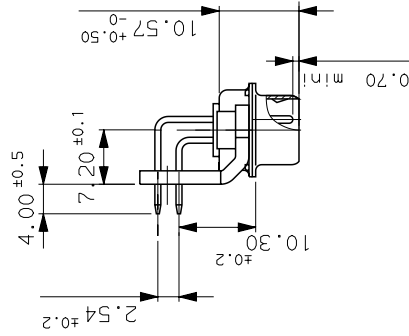
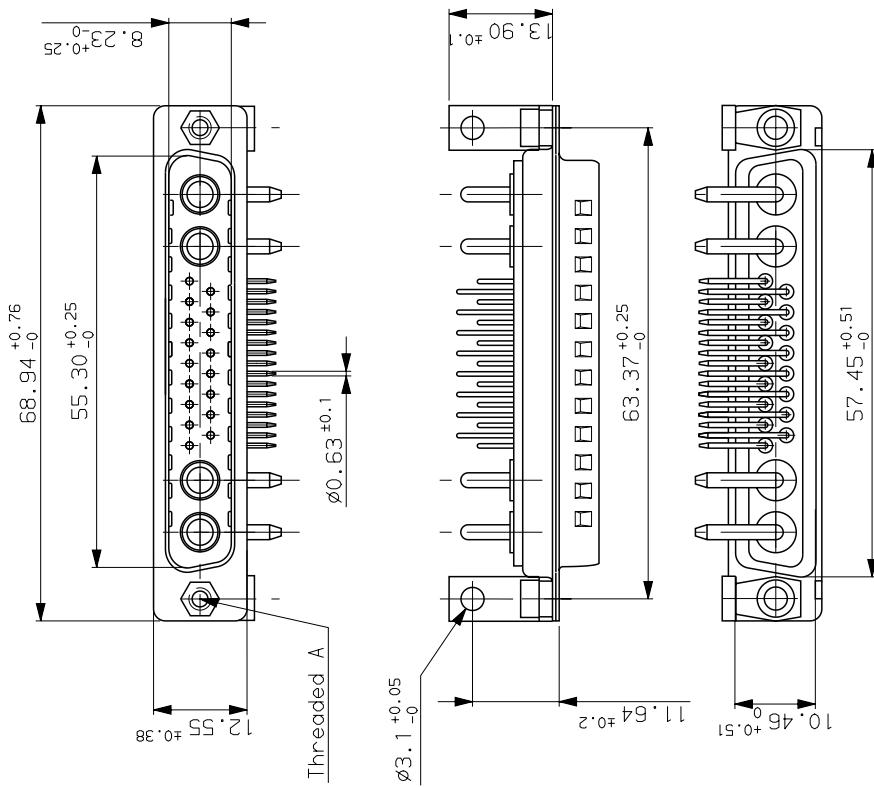
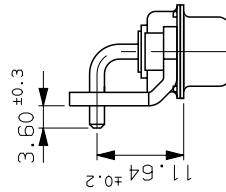


GENERAL CHARACTERISTICS : SEE DRAWING C01-8639-0000

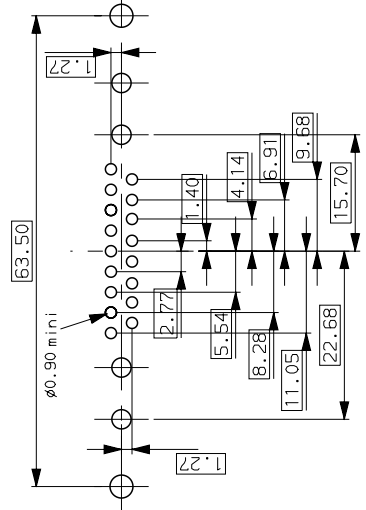
VIEW WITHOUT POWERS CONTACTS



VIEW WITH POWERS CONTACTS



LAYOUT DIMENSIONS (after plating)  
CONNECTOR SIDE VIEW



DC021WA4P500M30	UNC 4.40
DC021WA4P500M40	UNC 4.40
DCL21WA4P500M30	M3
DCL21WA4P500M40	M3
PART NUMBER	Threaded A

b 01/10/03	update	ISS DATE	Lastest modification by : DEBRAY.T	MOD N°	--
Designed by : JARRY date 25/01/01		Type of drawing:	CLIENT		
Checked by : FONTENEAU date: ---		Released by:	---		
TITLE : PINS CONNECTORS RIGHT ANGLED WITH POWERS CONTACTS					
SCALE	1.5	Special mfg.---	MATERIAL---	N°: ---	
Item List n°:	---	General linear Tolerances: ---	General machining surface texture: ---	Geometrical Tolerances: see NF E 04-552	SHEET 01
		<b>FRAMATOME CONNECTORS FRANCE</b> Rue Louis Breguet - Bp 05 72024 LE MANS Cedex Tel. 33 (16) 43.84.08.43		This document is the property of FRAMATOME CONNECTORS FRANCE It must not be reproduced or communicated without permission in writing Flow the owners	
FORMAT	A3	SOURIAU DRG N°	C01-8639-1850		PROJECT M94D001