

THIS DRAWING IS UNPUBLISHED.

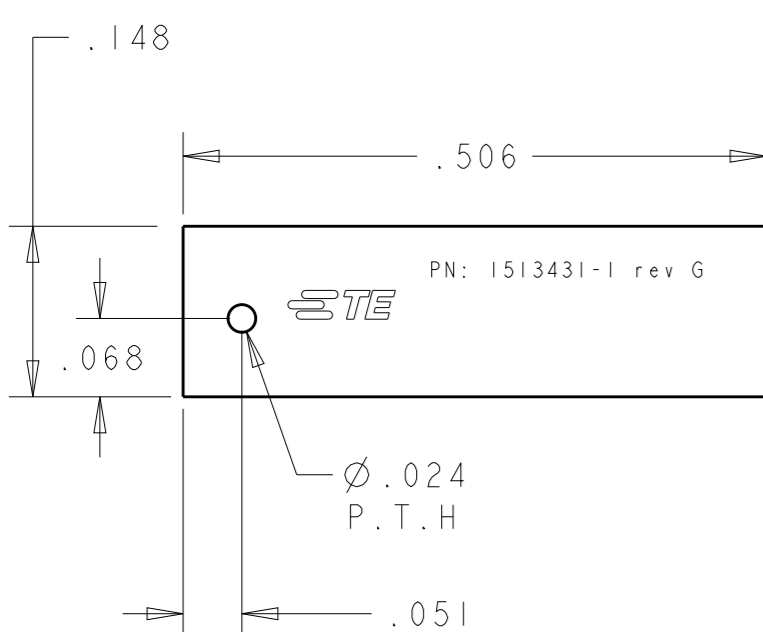
RELEASED FOR PUBLICATION

20

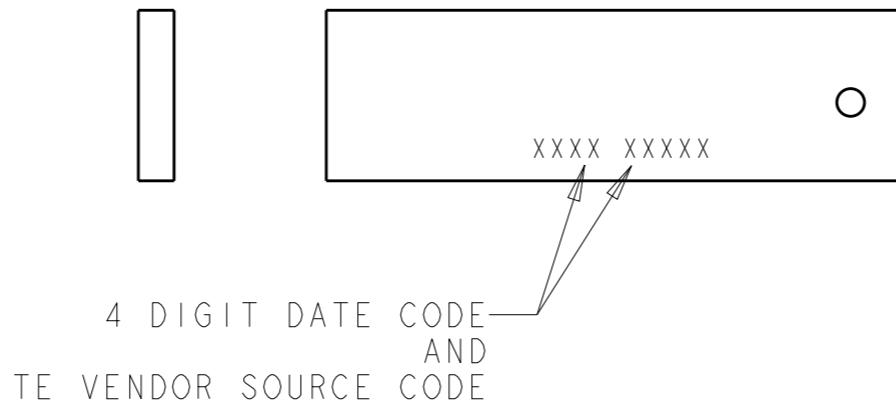
© COPYRIGHT 20 BY TYCO ELECTRONICS CORPORATION ALL RIGHTS RESERVED.

REVISIONS

P	LTR	DESCRIPTION	DATE	DWN	APVD
	G	REV PER ECO-15-002516	12MAR2015	KF	PG



.031 OVERALL THICKNESS



1513431-2 AS SHOWN

NOTES: UNLESS OTHERWISE SPECIFIED.

- FABRICATE TO MEET IPC - 6012, CLASS 2. INSPECT TO MEET IPC - A - 600, CLASS 2.
- PRIMARY AND SECONDARY SIDES SHOWN.
- MATERIAL : ISOLA IS415 .028 THK., 1/2 OZ. COPPER BOTH SIDES. DIELECTRIC CONSTANT @ 1MHz 4.2 ± 0.1.
- FINISH:
A: 1/2 Oz COPPER PLATING.
B: SOLDERMASK OVER BARE COPPER (SMOBC).
C: MASK BOTH SIDES OF PCB WITH LPI SOLDERMASK. SOLDERMASK COLOR: NATURAL GREEN.
D: IMMERSION TIN PLATING
- THREE PLACE TOLERANCES: ±.009
- PACKAGING: SINGULATED PARTS TO BE SECURELY SHRINK WRAPPED, BAGGED OR VACUUM PACKED IN BULK FOR TAPE AND REEL, SEE SHEET 2
- PARTS ARE COMPLIANT TO ROHS STANDARDS PER TE CONNECTIVITY STANDARD TEC-138-702.
- CONSULT TE CONNECTIVITY DATA SHEET DSI513431
- CONTACT TE CONNECTIVITY ENGINEERING PRIOR TO DESIGNING INTO AN APPLICATION

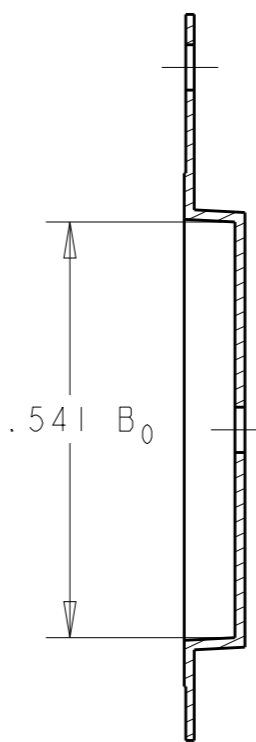
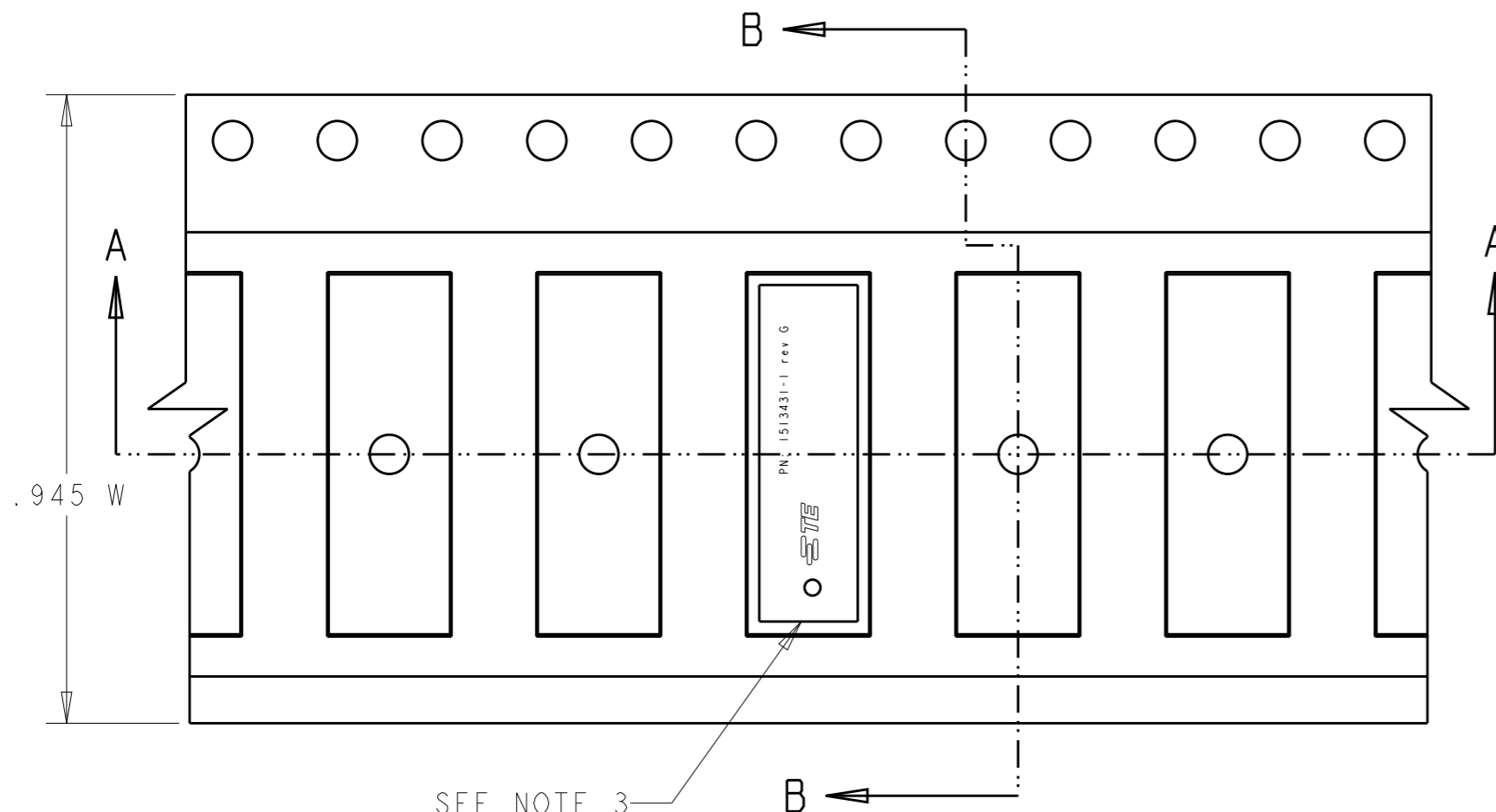
FOR TAPE AND REEL PACKAGING, ORDER P/N 1513431-1
 FOR BULK PACKAGING, ORDER P/N 1513431-2

THIS DRAWING IS A CONTROLLED DOCUMENT.		DWN VG	19DEC2007	STC TE Connectivity	
DIMENSIONS: INCHES		CHK -	APVD -		
TOLERANCES UNLESS OTHERWISE SPECIFIED:		PRODUCT SPEC -		NAME 802.11b Diversity Antenna Fabrication Drawing	
0 PLC ±-		APPLICATION SPEC -		SIZE A3	RESTRICTED TO -
1 PLC ±-		WEIGHT -		CAGE CODE -	DRAWING NO. C-1513431
2 PLC ±-		CUSTOMER DRAWING		SCALE 1:1	SHEET 1 OF 2
3 PLC ±-					REV G
4 PLC ±-					
ANGLES ±-					
MATERIAL -					
FINISH -					

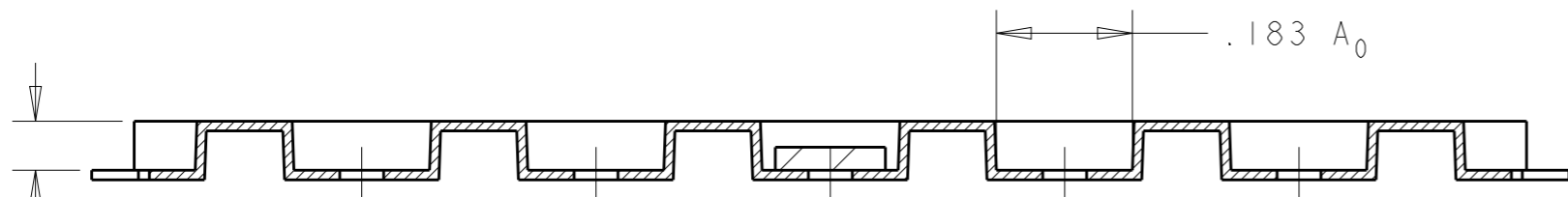
THIS DRAWING IS UNPUBLISHED. RELEASED FOR PUBLICATION 20
 © COPYRIGHT 20 BY TYCO ELECTRONICS CORPORATION ALL RIGHTS RESERVED.

REVISIONS

P	LTR	DESCRIPTION	DATE	DWN	APVD
-	-	SEE SHEET 1	-	-	-



SECTION B-B



SECTION A-A

1513431-1 AS SHOWN

NOTES: UNLESS OTHERWISE SPECIFIED.

1. REFER TO TE CONNECTIVITY DRAWING NO. C-1513126 FOR TAPE SPECIFIC DIMENSIONS
2. PARTS ARE COMPLIANT TO RoHS STANDARDS PER TE CONNECTIVITY STANDARD TEC-138-702
3. ORIENT PARTS AS SHOWN.

THIS DRAWING IS A CONTROLLED DOCUMENT.		DWN VG 19DEC2007	TE Connectivity			
DIMENSIONS: INCHES		CHK -			NAME 802.11b Diversity Antenna Fabrication Drawing	
		APVD -	SIZE A3	CAGE CODE -	DRAWING NO. C-1513431	RESTRICTED TO -
		TOLERANCES UNLESS OTHERWISE SPECIFIED: 0 PLC ±. 1 PLC ±. 2 PLC ±. 3 PLC ±. 4 PLC ±. ANGLES ±.	PRODUCT SPEC -	SCALE 4:1		SHEET 2 OF 2
MATERIAL -	FINISH -	APPLICATION SPEC -	CUSTOMER DRAWING			
		WEIGHT -				