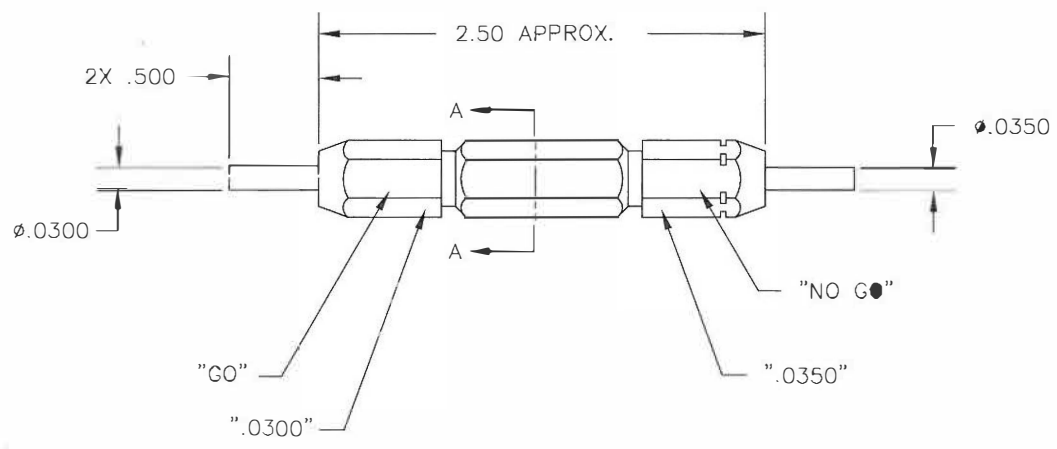
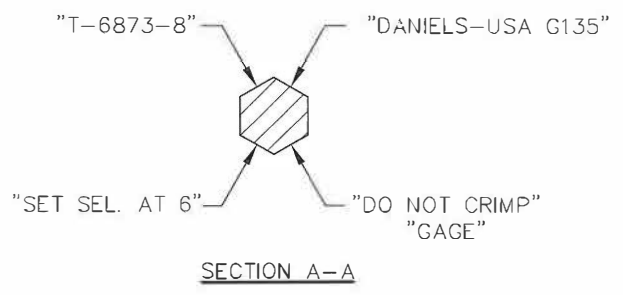


REVISIONS				
REV. SYM.	E.C.O NUMBER	DESCRIPTION	BY DATE	APP'D DATE
1		ORIGINAL RELEASE	DJR 12/6/84	KR 12/6/84



**UNCONTROLLED DOCUMENT
WILL NOT BE UPDATED**

RESTRICTED & CONFIDENTIAL		MATERIAL	ITEM	PART NO.	QTY.	DESCRIPTION/REMARKS			
CONFIDENTIAL PROPERTY OF DANIELS MANUFACTURING CORP. NOT TO BE DISCLOSED TO OTHERS. REPRODUCED OR USED FOR ANY OTHER PURPOSE, EXCEPT AS AUTHORIZED IN WRITING BY DANIELS MANUFACTURING. MUST BE RETURNED TO DANIELS MANUFACTURING CORP. ON COMPLETION OF ORDER OR OTHER PURPOSE FOR WHICH LENT.		HEAT TREAT	DRN:	DJR	DATE	12/6/84			
			CHK'D:	BG	DATE	12/6/84			
			APP'D:	KR	DATE	12/6/84			
			APP'D:		DATE				
DO NOT SCALE DRAWING		FINISH	NOTE:		WHERE USED:				
			THIS DRAWING IS AN OUTLINE DRAWING OF THE RESPECTIVE DMC PART NUMBER INDICATED - ACTUAL DMC PART NUMBER IS DRAWING NUMBER WITHOUT THE "-ENV" SUFFIX.		SIZE	SCALE	CAD P/N	SHEET OF	
					B	NTS	G135-ENV	1	1
					POSTING	DWG. NO.	G135-ENV	REV.	1



**GO/NO-GO GAGE
ENVELOPE DRAWING**