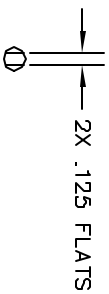
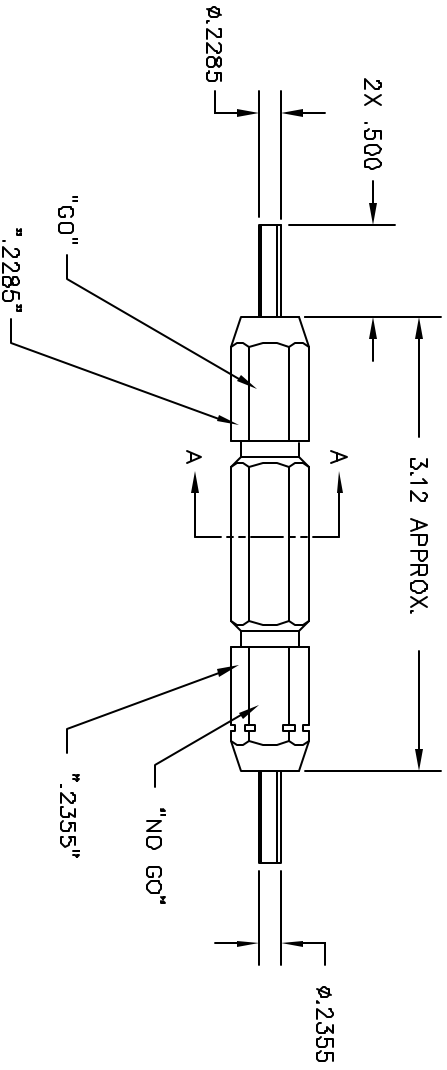


REVISIONS				
REV.	EQ. OR NUMBER	DESCRIPTION	BY DATE	APP'D DATE
1		ORIGINAL RELEASE	12/29/04	12/29/04

"DO NOT CRIMP"
"GAGE"
"DANIELS-USA G1013"



SECTION A-A



**UNCONTROLLED DOCUMENT
WILL NOT BE UPDATED**

RESTRICTED & CONFIDENTIAL		MATERIAL		ITEM		PART NO.		QTY.		DESCRIPTION/REMARKS	
CONFIDENTIAL PROPERTY OF DANIELS MANUFACTURING CORP. NOT TO BE REPRODUCED OR USED FOR ANY OTHER PURPOSE EXCEPT AS AUTHORIZED IN WRITING BY DANIELS MANUFACTURING. MUST BE RETURNED TO DANIELS MANUFACTURING OR OTHER PURCHASER OF ORDER OR OTHER PARTY WITH WHICH LENT.		HEAT TREAT		DANIELS MANUFACTURING CORP.		DANIELS MANUFACTURING CORP.		DANIELS MANUFACTURING CORP.		DANIELS MANUFACTURING CORP.	
		FINISH		GAGE		GAGE		GAGE		GAGE	
DO NOT SCALE DRAWING				DANIELS MANUFACTURING CORP.		DANIELS MANUFACTURING CORP.		DANIELS MANUFACTURING CORP.		DANIELS MANUFACTURING CORP.	
NOTE: THIS DRAWING IS AN OUTLINE DRAWING OF THE RESPECTIVE DIMS. PART NUMBER INDICATED IN THIS DRAWING IS FOR THE "ENV" SUFFIX.		TITLE DANIELS MANUFACTURING CORP. GAGE 11851		DATE 12/29/04		DATE 12/29/04		DATE 12/29/04		DATE 12/29/04	
THIS DRAWING IS AN OUTLINE DRAWING OF THE RESPECTIVE DIMS. PART NUMBER INDICATED IN THIS DRAWING IS FOR THE "ENV" SUFFIX.		WIPED USDC SCALE B NTS		WIPED USDC SCALE B NTS		WIPED USDC SCALE B NTS		WIPED USDC SCALE B NTS		WIPED USDC SCALE B NTS	
		C&D P/N G1013-ENV		C&D P/N G1013-ENV		C&D P/N G1013-ENV		C&D P/N G1013-ENV		C&D P/N G1013-ENV	
		SHEET 1 OF 1		SHEET 1 OF 1		SHEET 1 OF 1		SHEET 1 OF 1		SHEET 1 OF 1	
		REV. 1		REV. 1		REV. 1		REV. 1		REV. 1	