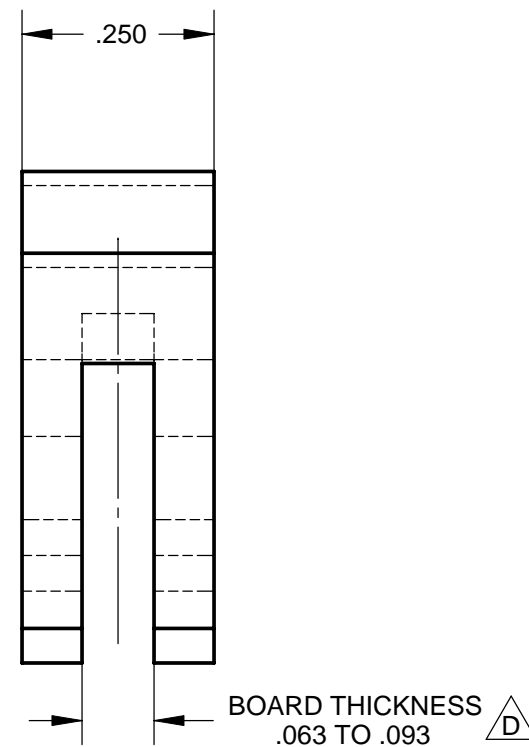
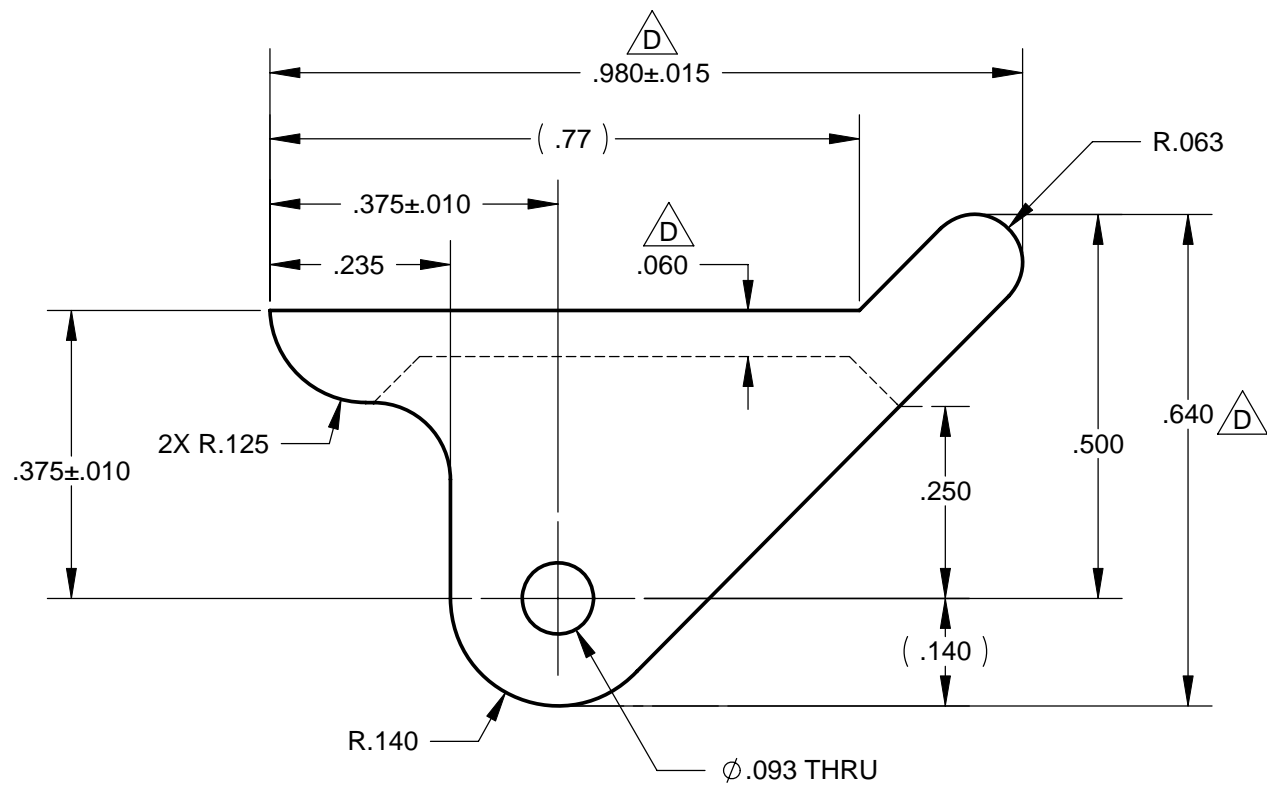
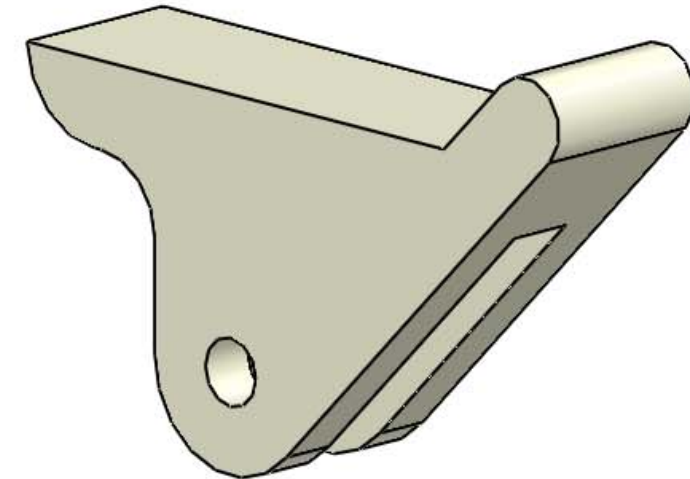
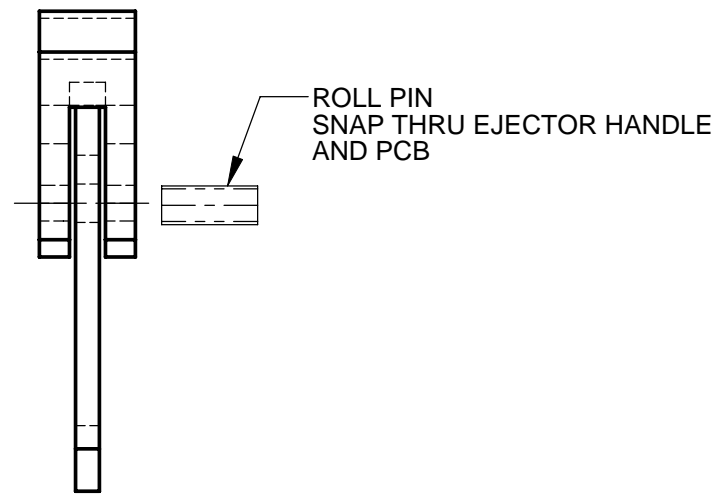
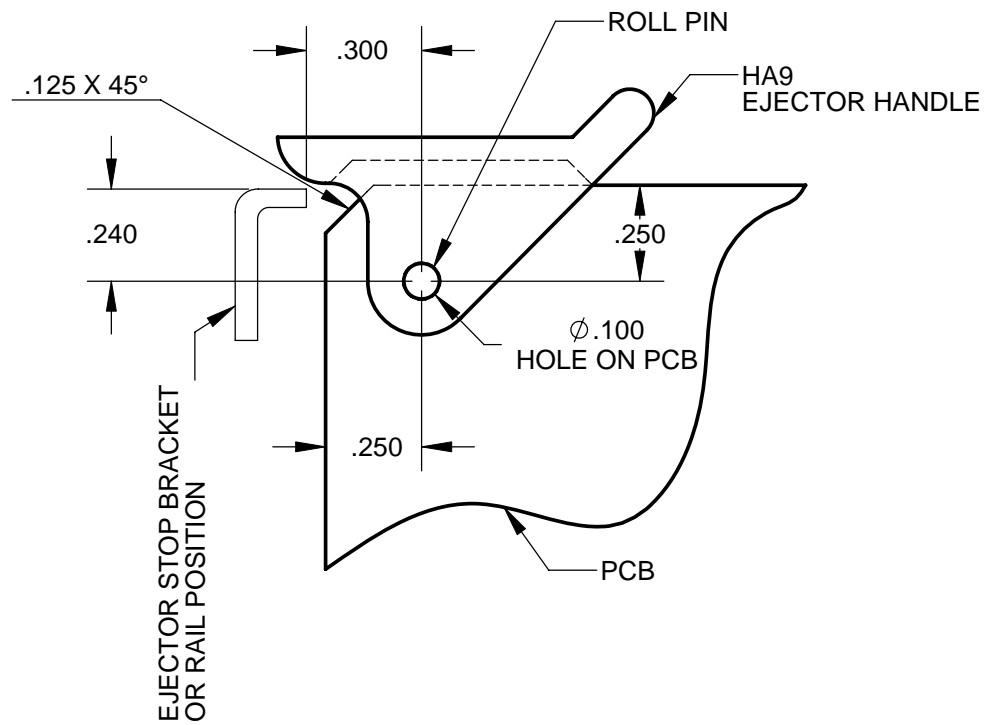
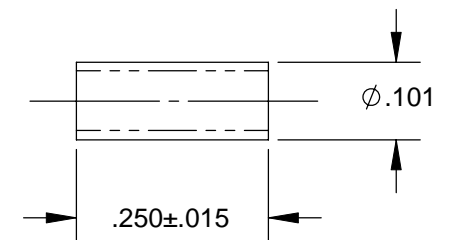


RECOMMENDED PCB LAYOUT



EJECTOR ROLL PIN DETAIL
MATERIAL : PASSIVATED STAINLESS STEEL



HA9 EJECTOR HANDLE DETAIL 1

1. MATERIAL : NYLON 6/6, 94V-2, WHITE COLOR

NOTES: UNLESS OTHERWISE SPECIFIED.

PROPRIETARY AND CONFIDENTIAL
THE INFORMATION CONTAINED IN THIS DRAWING IS THE SOLE PROPERTY OF VECTOR ELECTRONICS & TECH., INC. ANY REPRODUCTION IN PART OR AS A WHOLE WITHOUT THE WRITTEN PERMISSION OF VECTOR ELECTRONICS & TECH., INC. IS PROHIBITED.

UNLESS OTHERWISE SPECIFIED:	NAME	DATE
DIMENSIONS ARE IN INCHES	DRAWN	TRUSHAR 01/07/10
TOLERANCES:	CHECKED	
FRACTIONAL ±	ENG APPR.	
ANGULAR: ±.5°	MFG APPR.	
TWO PLACE DECIMAL ±.03	Q.A.	
THREE PLACE DECIMAL ±.010		
INTERPRET GEOMETRIC TOLERANCING PER:		
	THIRD ANGLE PROJECTION	
DO NOT SCALE DRAWING		

VECTOR ELECTRONICS & TECHNOLOGY, INC.		11115 VANOWEN ST., NORTH HOLLYWOOD, CA 91605
HA9 CARD EJECTOR HANDLE		
SIZE	DWG. NO.	REV
B	MC5005-2-2	D
SCALE: 4:1	WEIGHT:	SHEET 1 OF 1

REVISIONS				
ZONE	REV.	DESCRIPTION	DATE	APPROVED
ALL	B	REDRAWN ECO 1673	07/09/76	
	B1	ADDED .500 DIM.	08/13/76	
	C	ADDED MISSING DIMENSIONS	01/07/10	
	D	CHANGED TO COMPLIANT .063 OR .093 THK. CARD (WAS .063 THK. ONLY), CHANGED COLOR, CHANGED DIMENSIONS	12/09/11	