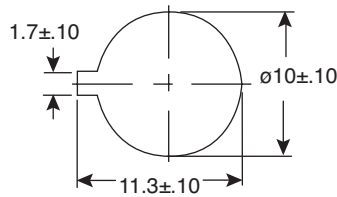
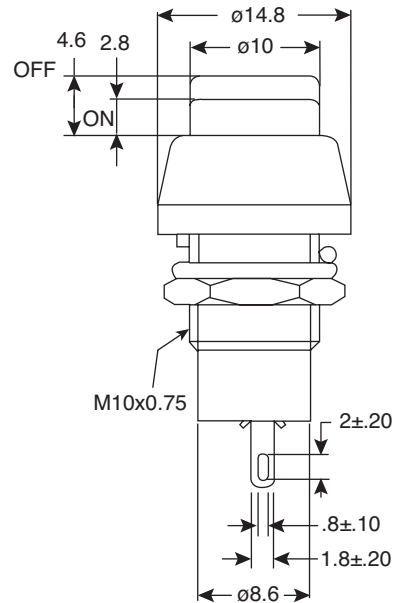
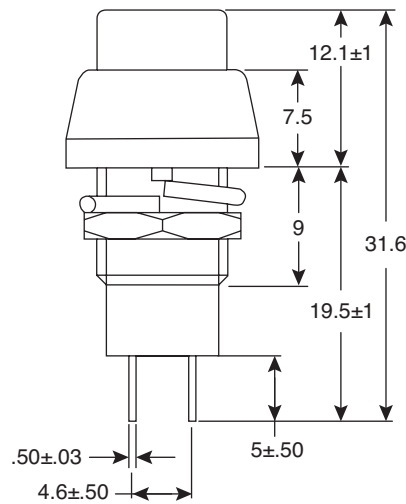
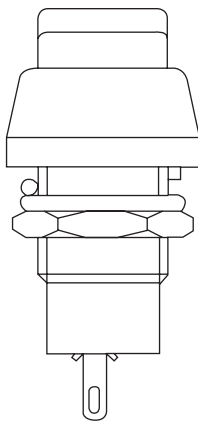


Dimensions: mm



MOUNTING HOLE



Mechanical Specifications:

- Circuit: 2P SPST on-off

Electrical Specifications:

- Rating: 3A/125VAC, 1A/250VAC
- Contact resistance: 50mΩ max
- Insulation resistance: 500VDC 100MΩ min
- Dielectric strength: 1500VAC for 1 minute

| Mouser Stock No. | Button Color |
|------------------|--------------|
| 103-1423-EVX | Black |

Note:

- RoHS Compliant by Exemption

Pushbutton Switch
103-1423-EVX

