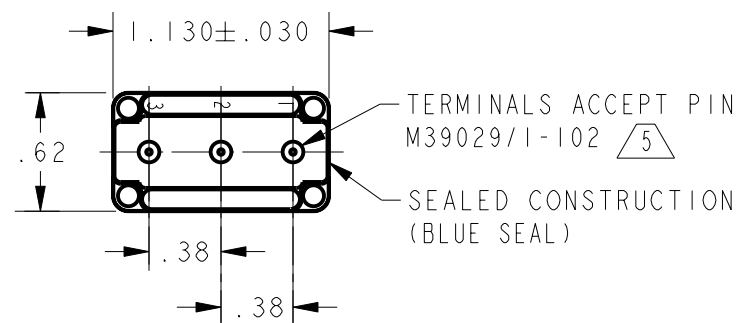
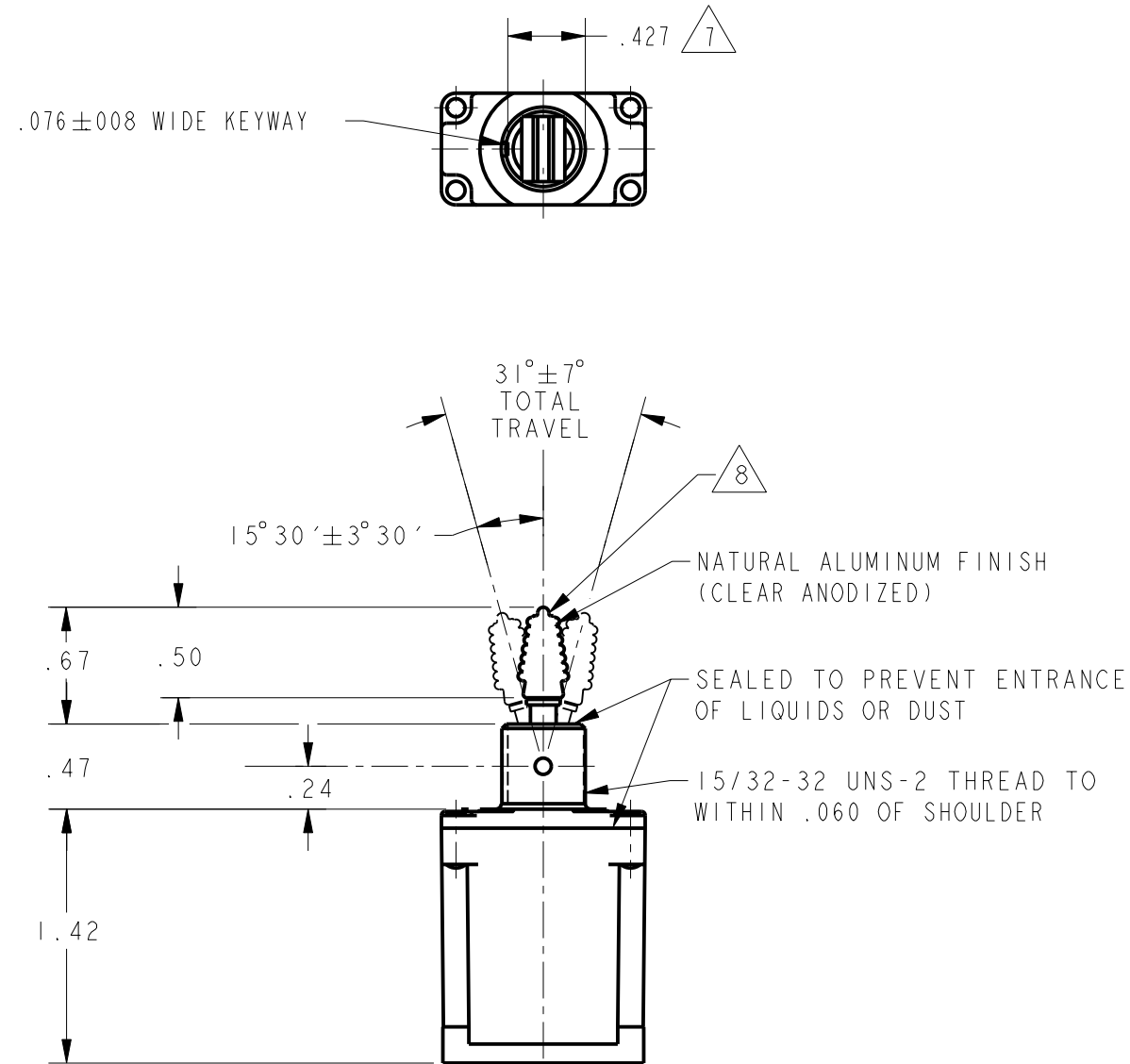


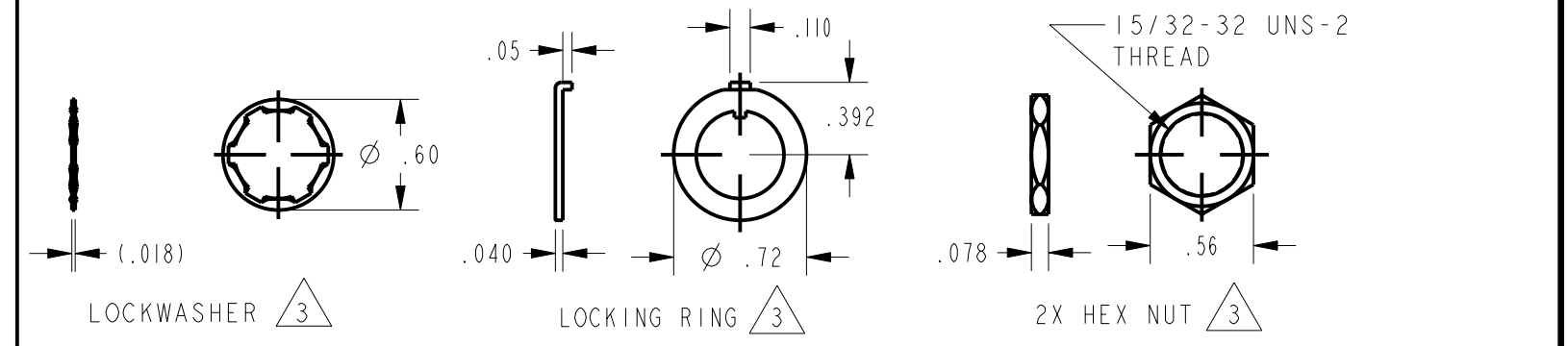
SWITCH - TOGGLE

CATALOG LISTING
**101TL154 SERIES
CHART 1**

THIS DRAWING COVERS A PROPRIETARY ITEM AND IS THE PROPERTY OF MICRO SWITCH. A DIVISION OF HONEYWELL. THIS DRAWING IS NOT TO BE COPIED OR USED WITHOUT THE APPROVAL OF MICRO SWITCH



CATALOG LISTING	CIRCUIT MADE WITH TOGGLE LEVER IN $\triangle 4$														
	EXTREME POSITION KEYWAY SIDE (1-2)			CENTER (1-2)			EXTREME POSITION OPPOSITE KEYWAY (2-3)			RESISTIVE LOAD		LAMP LOAD		INDUCTIVE LOAD	
	ON	OFF	NONE	ON	OFF	NONE	ON	OFF	NONE	DC VOLTS	AC VOLTS	28 VDC	125 VAC	28 VDC	125 VAC
101TL154-1	ON	OFF	ON	20	.75	.5	15	6	5	3	15	10			
101TL154-2	OFF	NONE	ON												
101TL154-3	ON	NONE	ON												
101TL154-21	NONE	OFF	ON												
101TL154-31	NONE	ON	ON												
101TL154-4	MOM OFF	NONE	ON	15	.75	.5	15	6	4	2	10	7			
101TL154-5	MOM ON	OFF	ON												
101TL154-6	MOM ON	NONE	OFF												
101TL154-7	MOM ON	OFF	MOM ON												
101TL154-8	MOM ON	NONE	ON												
101TL154-51	NONE	ON	MOM ON												
101TL154-61	MOM ON	OFF	NONE												



NOTES

- SWITCHES ARE CAPABLE OF WITHSTANDING A TEMPERATURE OF 160°F. CONTINUOUSLY AT FULL RATED LOAD
- CIRCUIT DESIGNATION, MICRO SWITCH CAT. LIST. MARKED ON SIDE OF SWITCH
- FURNISHED UNASSEMBLED
- APPLIES ONLY TO "ON" AND "MOM ON" POSITIONS
- THE SEALING GROMMET SHALL SEAL ON A SMOOTH WIRE INSULATION OF .068 - .103 DIAMETERS (14-16 GAGE)
- UNUSED TERMINAL HOLES MAY BE SEALED WITH PLUGS M83723/28-16
- FROM BOTTOM OF KEYWAY TO MAJOR ϕ OF 15/32 THREAD
- TOGGLE LEVER TAB FINISHED IN SATIN CHROME

THIRD ANGLE PROJECTION	
SCALE	FULL
DO NOT SCALE PRINT	
UNLESS OTHERWISE SPECIFIED TOLERANCES ARE	
ONE PLACE	(.0) ±.030
TWO PLACE	(.00) ±.015
THREE PLACE	(.000) ±.005
ANGLES	±
WEIGHT	.08 LB MAX

CATALOG LISTING
101TL154 SERIES CHART 1
 PAGE 1 OF 1
 RELEASE NO. PR-24091
 REPLACES
 ISSUE 1
 CHECK
 REVISIONS
 CHECK
 15 JUL 99
 JAF
 CHECK
 15 JUL 99
 LJK
 DRAWN
 PTC/CAD 2D
 ANSI Y14.5M-1982 APPLIES