



XDSL SPLITTER FILTER MODULE

B8841NL

SmartER series



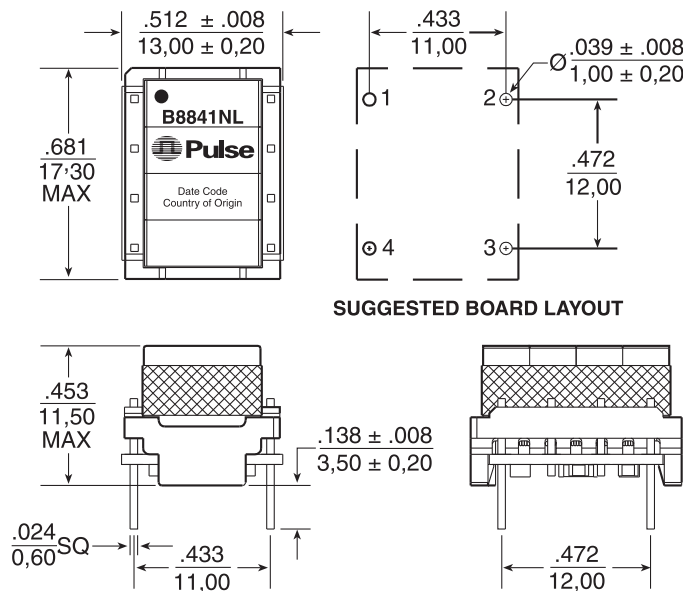
-  POTS CO splitter for ETSI 600 Ω ADSL to VDSL2 applications
-  POTS CO splitter for China YD/T 1187-2006 ADSL2+ 600 Ω
-  LPF matched to 600 Ω impedance
-  Metering Pulse 12 kHz to 16 kHz
-  Part of a standard series which has footprint compatibility
-  Compliant with Broadband Forum TR-127 standard for VDSL2 applications
-  Patented technology US7598837, US7598839, CN1667763, EP1644943, TWI316724, CA2531599

Electrical Specifications @ 25°C

PARAMETER	FREQUENCY	
POTS Impedance	200 Hz to 4 kHz	600 Ω
POTS Insertion Loss	@ 1 kHz	0.3 dB MAX
POTS Insertion Loss Distortion	200 Hz to 4 kHz	0.3 dB MAX
POTS Return Loss	300 Hz to 500 Hz / 2.0 kHz to 3.4k Hz	14 dB MIN
	500 Hz to 2.0 kHz	18 dB MIN
Metering Pulse Insertion Loss	12 kHz and 16 kHz	3 dB MAX
Group Delay	200 Hz to 3.4 kHz	150 μS MAX (Typical 65 μS)
Longitudinal Balance	50 Hz to 600 Hz / 3.4 kHz to 30 kHz	40 dB MIN
	600 Hz to 3.4 kHz / 30 kHz to 1.1 MHz	46 dB MIN
	1.1 MHz to 30 MHz	30 dB MIN
xDSL Insertion Loss	30 kHz to 30 MHz	55 dB MIN
Tip-to-ring Capacitance		20 nF MIN 115 nF MAX
Tip-to-ring Insulation Resistance		5 MΩ MIN
DC Current		100 mA MAX
Total DC Resistance		25 Ω MAX

Mechanical

B8841NL



Weight, 5,5 grams
 Tray, 80/tray

Dimensions: Inches
 mm
 Unless otherwise specified,
 all tolerances are ± .010
 ± 0,25

XDSL SPLITTER FILTER MODULE

B8841NL

SmartER series

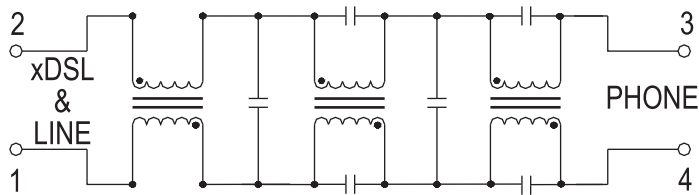


Pulse

A TECHNITROL COMPANY

Schematic

B8841NL



For More Information:

Pulse Worldwide Headquarters

12220 World Trade Dr.
San Diego, CA 92128
U.S.A.

www.pulseeng.com

Tel: 858 674 8100
Fax: 858 674 8262

Pulse Europe

Einsteinstrasse 1
D-71083 Herrenberg
Germany

Tel: 49 7032 7806 0
Fax: 49 7032 7806 135

Pulse China Headquarters

B402, Shenzhen Academy of
Aerospace Technology Bldg.
10th Kejinan Rd.
High-Tech Zone
Nanshan District
Shenzen, PR China 518057

Tel: 86 755 33966678
Fax: 86 755 33966700

Pulse North China

Room 2704/2705
Super Ocean Finance Ctr.
2067 Yan An Rd. West
Shanghai 200336
China

Tel: 86 21 62787060
Fax: 86 2162786973

Pulse South Asia

135 Joo Seng Rd.
#03-02
PM Industrial Bld g.
Singapore 368363

Tel: 65 6287 8998
Fax: 65 6287 8998

Pulse North Asia

3F, No. 198
Zhongyuan Rd.
Zhongli City
Taoyuan County 320
Taiwan R. O. C.

Tel: 886 3 4356768
Fax: 886 3 4356823 (Pulse)
Fax: 886 3 4356820 (FRE)

Performance warranty of products offered on this data sheet is limited to the parameters specified. Data is subject to change without notice. Other brand and product names mentioned herein may be trademarks or registered trademarks of their respective owners.

© Copyright, 2010. Pulse Engineering, Inc. All rights reserved.