



DIO3532A

Low-Power, Full-Speed USB Switch

Features

- Vcc operation at 2.7V to 3.6V
- Low Con: 8pF Typical
- Low Ron: 8Ω Typical
- Low Power Consumption: 1μA Maximum
- Low I_{CC} : 15μA Maximum @V_{IN}=1.8V, V_{CC}=3.6V
- -3dB Bandwidth: > 350MHz
- Packaged in Pb-free DQFN-10; MSOP-10
- 8kV HBM ESD Rating, >16kV Power/GND HBM ESD Rating, 2kV CDM ESD Rating
- Power-Off/On Protection on Common port. D+/D- Pins Tolerate up to 5.25V

Descriptions

The DIO3532A is a low power, dual SPDT 2-port full-speed analog switch. It handles bi-directional signal flow and is optimized for switching a full-speed (12Mbps) source.

DIO3532A has high channel-to-channel noise isolation and low bit-to-bit skew which allows it to pass full-speed differential signals with good signal integrity. Each switch offers little or no attenuation of the full-speed signals at the outputs.

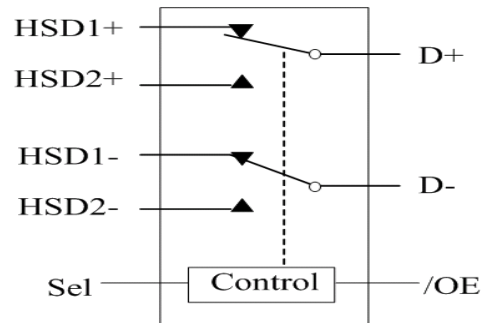
The DIO3532A contains special circuitry on the D+/D- pins, which can tolerate up to 5.25V when the USB devices are either powered off or powered on.

DIO3532A is available in two type Green packages: DQFN-10 and MSOP-10

Applications

- Cell-Phone/PDA
- MP3/MP4/PMP
- STB/LCDTV

Block Diagram

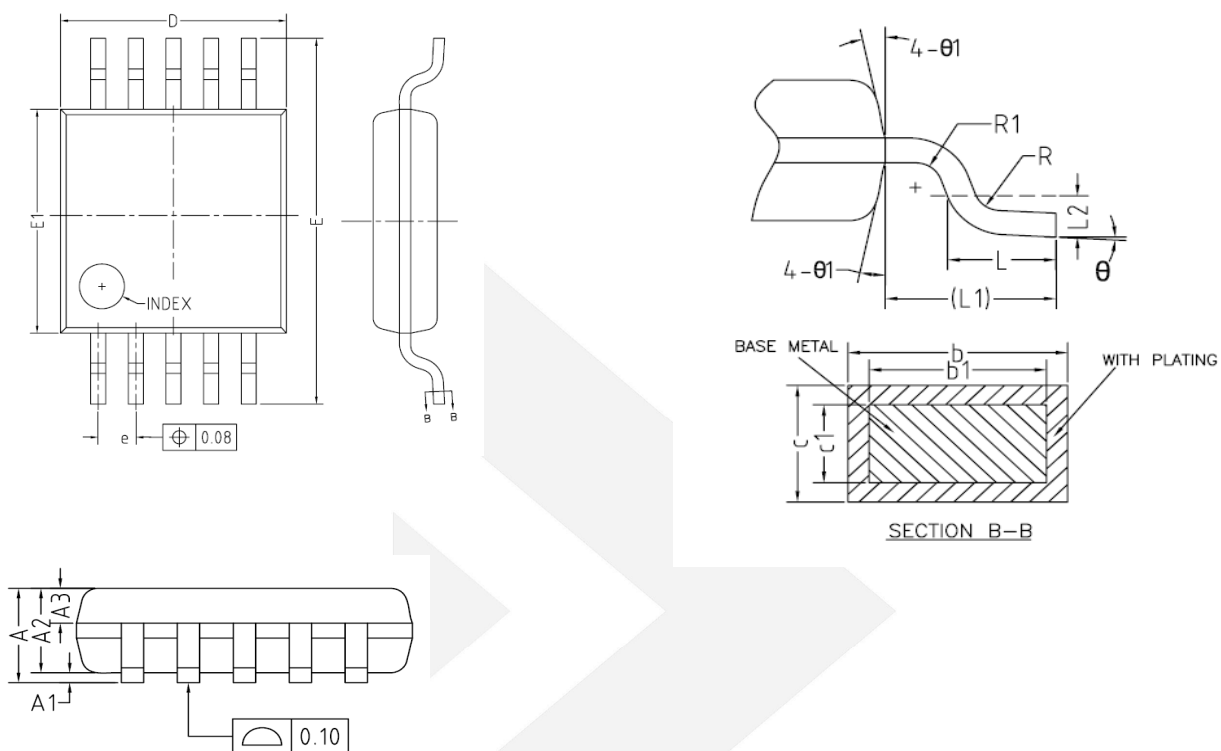


Ordering Information

Order Part Number	Top Marking		T _A	Package	
DIO3532AMP10	DIO3532A	Green or RoHS	-40 to +85°C	MSOP-10	Tape & Reel, 3000
DIO3532ALP10	YWGZ	Green	-40 to +85°C	DQFN-10	Tape & Reel, 3000

DIO3532A

Physical Dimensions: MSOP-10



Symbol	Min	Typ	Max
A	-	-	1.10
A1	0	-	0.15
A2	0.75	0.85	0.95
A3	0.25	0.35	0.39
b	0.18	-	0.27
b1	0.17	0.20	0.23
c	0.15	-	0.20
c1	0.14	0.15	0.16
D	2.90	3.00	3.10
E	4.70	4.90	5.10
E1	2.90	3.00	3.10
e	0.40	0.50	0.60
L	0.40	0.60	0.80
L1	0.95REF		
L2	0.25BSC		
R	0.07	-	-
R1	0.07	-	-
θ	0°	-	8°
$\theta 1$	9°	12°	15°

DIO3532A

Low-Power, Full-Speed USB Switch

CONTACT US

Dioo is a professional design and sales corporation for high-quality and performance analog semiconductors. The company focuses on industry markets, such as, cell phone, handheld products, laptop, and medical equipments and so on. Dioo's product families include analog signal processing and amplifying, LED drivers and charger IC. Go to <http://www.dioo.com> for a complete list of Dioo product families.

For additional product information, or full datasheet, please contact with our Sales Department or Representatives.

