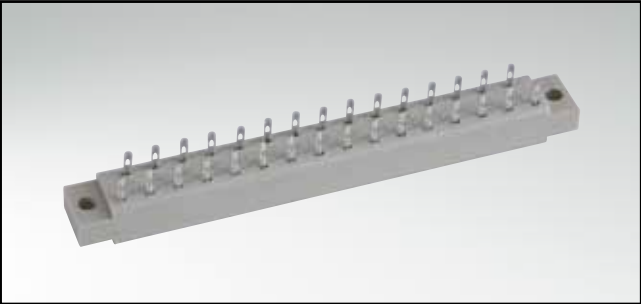


CONNECTOR ACCORDING TO DIN 41617

Female connector – solder lug – 13, 21 and 31 positions

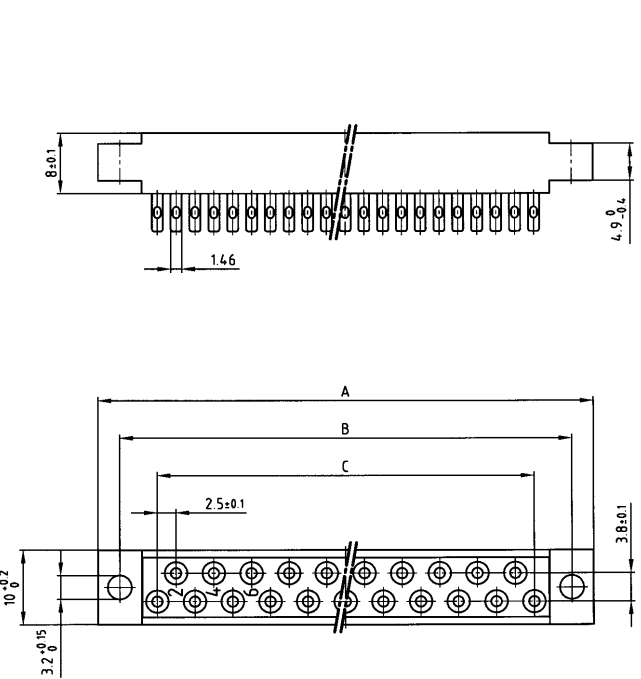


RoHS compliant

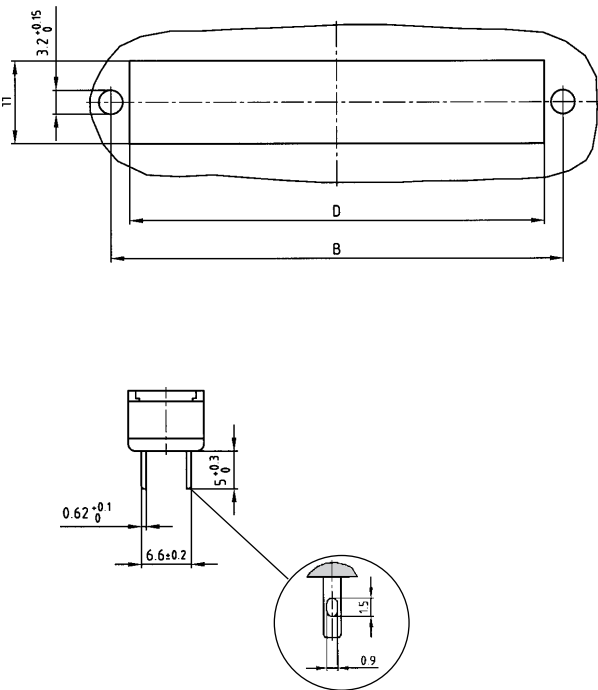
DESCRIPTION

- Solder lug
- Contact plating
 - standard quality classes 3 and 2
 - quality class 1 on request (*)
 - hard silver plated

PRODUCT DRAWING



Panel cutout



| No. of Pos. | A ±0.3 | B ±0.1 | C ±0.1 | D |
|-------------|--------|--------|-----------|----|
| 13 | 45.8 | 40 | 12x2.5=30 | 35 |
| 21 | 65.8 | 60 | 20x2.5=50 | 55 |
| 31 | 90.8 | 85 | 30x2.5=75 | 80 |

ORDER DATA

(Dim. = mm)

| No. of Pos. | hard silver plated | Quality class 3 | Quality class 2 | Quality class 1* |
|-------------|--------------------|-----------------|-----------------|------------------|
| 13 | 102 E 10019 X | 102 A 10019 X | 102 B 10019 X | 102 C 10019 X |
| 21 | 102 E 10029 X | 102 A 10029 X | 102 B 10029 X | 102 C 10029 X |
| 31 | 102 E 10039 X | 102 A 10039 X | 102 B 10039 X | 102 C 10039 X |