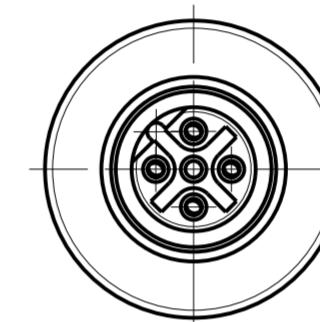
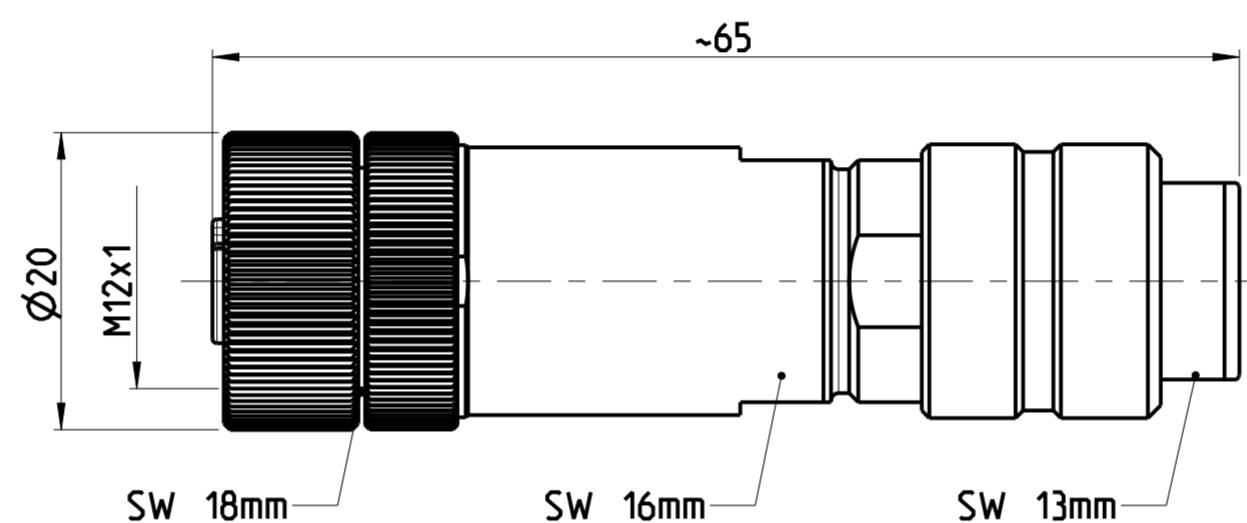


REVISIONS		DATE	DWN	APVD
ÄNDERUNGEN				
P	LTR	DESCRIPTION		
		BESCHREIBUNG		
	A3	DESCRIPTION CORRECTED FROM SOLDER TO SCREW TERMINAL IN TITLE BLOCK	14NOV2014	CR JK

- ⚠ MATERIAL: ITEM NO. 1: HOUSING - ZINC DIECASTING, NICKEL PLATED
 ITEM NO. 2: CONTACT BODY - PA
 ITEM NO. 3: CONTACT - CuZn (brass)
 CONTACT FINISH - Au (gold)

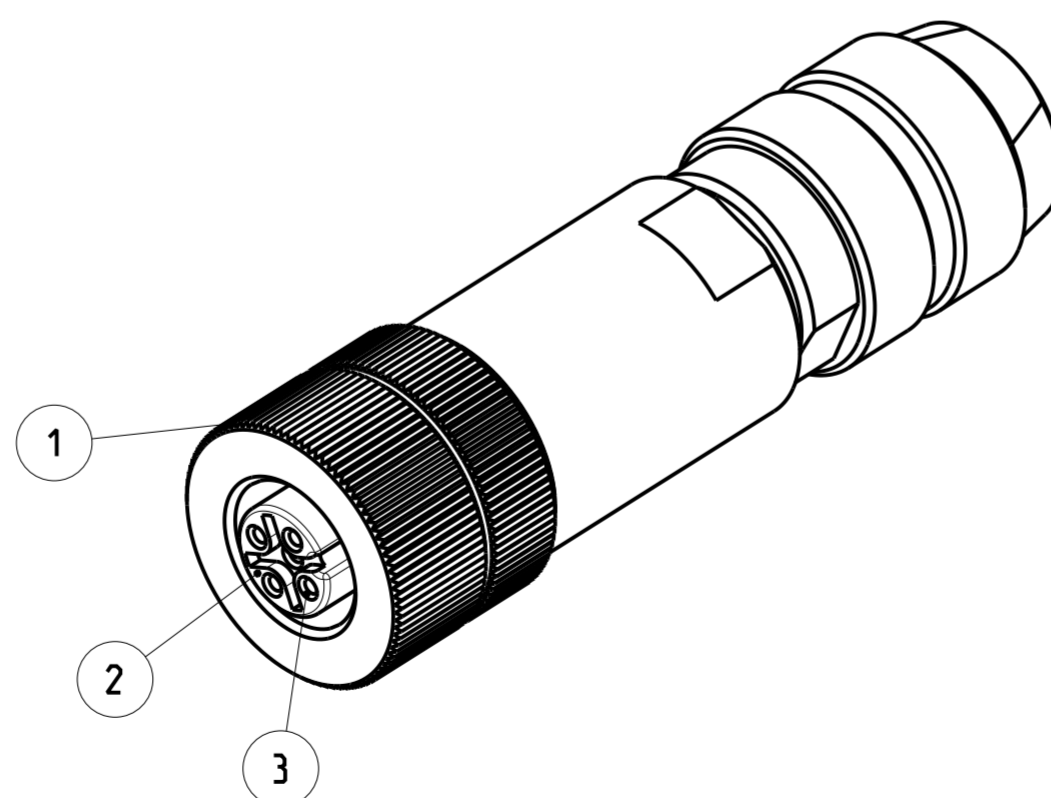
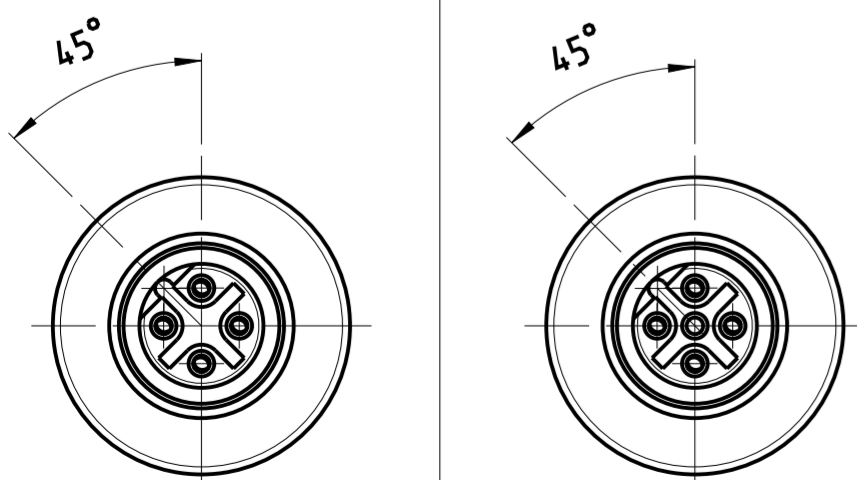
- 2 ALL DIMENSIONS ARE FOR NOMINAL REFERENCE ONLY UNLESS OTHERWISE STATED
 3 MEASUREMENT REFERENCE ONLY
 4 PACKAGING: 1 PIECE IN A BAG

TECHNICAL DATA	3-2271119-2	4-2271119-2
RATED VOLTAGE	250V	125V
RATED IMPULSE VOLTAGE	2500V	1500V
POLLUTION DEGREE	3	3
OVERVOLTAGE CATEGORY	II	II
MATERIAL GROUP	II	II
RATED CURRENT	4A	4A
VOLUME RESISTIVITY	≤3mΩ	≤3mΩ
DEGREE OF PROTECTION	IP67	IP67
UPPER TEMPERATURE	+85 °C	+85 °C
LOWER TEMPERATURE	-40 °C	-40 °C



PIN ARRANGEMENT
B-CODING (SCALE 2:1)

3-2271119-2 4-2271119-2



3--2 AS SHOWN
WIE GEZEICHNET

5-8	18 / 0.75mm ²	⚠	5	4-2271119-2
5-8	18 / 0.75mm ²	⚠	4	3-2271119-2
CABLE FEED-THROUGH	mm	WIRES	AWG / mm ²	MATERIAL
				NUMBER OF POLES
				TE-PART-NO.

DIESE ZEICHNUNG IST EIN KONTROLLIERTES DOKUMENT. BEMASSUNGEN UND TOLERANZEN GEMAESS GPS (ISO STANDARDS).		THIS DRAWING IS A CONTROLLED DOCUMENT. DIMENSIONING AND TOLERANCING PER GPS (ISO STANDARDS).		DWN YASHKUMAR 21MAY2014 CHK M.STRELOW 21MAY2014 APVD C.SCHREITLINGER 21MAY2014	
DIMENSIONS: MASSE/WEITEN: (MM)		TOLERANCES UNLESS OTHERWISE SPECIFIED: ALLGEMEINTOLERANZEN		NAME M12 RECEPTACLE, STRAIGHT, FIELD INSTALLABLE, SHIELDED CONNECTOR, SCREW TERMINALS, B-CODING	
0 PLC ± 1 PLC ± 2 PLC ± 3 PLC ± 4 PLC ±		ANGLES/WINKEL ± FINISH/OBERFLÄCHE/FARBE		SIZE A2	
MATERIAL		WEIGHT GEWICHT		CAGE CODE 00779	
-		-		DRAWING NO. ZEICHNUNGS-NR. C-2271119	
-		-		RESTRICTED TO NUR FÜR	
Customer Drawing		/KUNDENZEICHNUNG		SCALE MASSSTAB 2:1	
		SHEET BLATT 1 OF 1		REV A3	

SIZE ISO 14405 (E)