

4

3

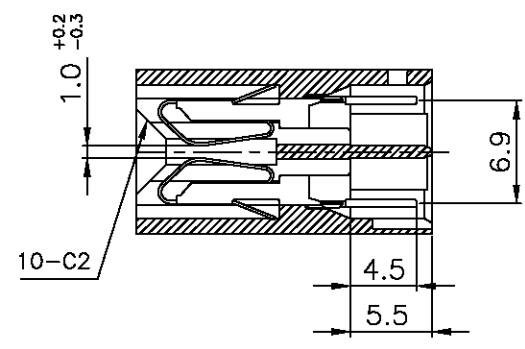
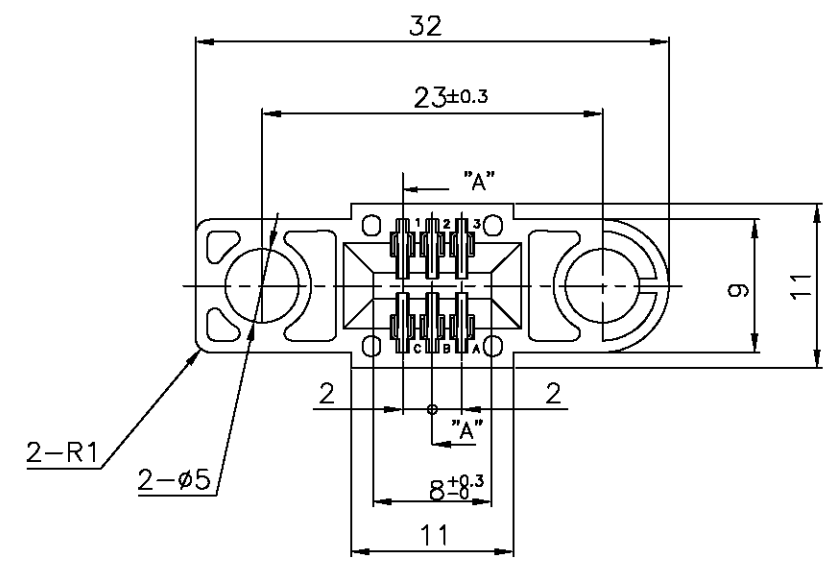
2

1

THIS DRAWING IS UNPUBLISHED. RELEASED FOR PUBLICATION
 © COPYRIGHT BY TYCO ELECTRONICS CORPORATION. ALL RIGHTS RESERVED.

LOC	DIST	REVISIONS			
P	LTR	DESCRIPTION	DATE	DWN	APVD
ES	00	A	REVISED FB00-0217-04	16DEC04	H.H I.E

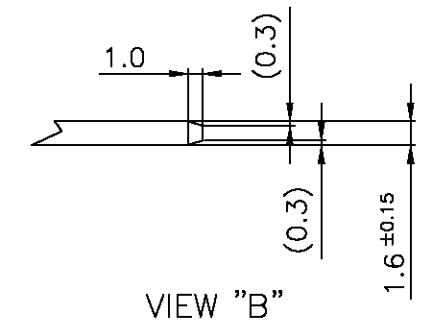
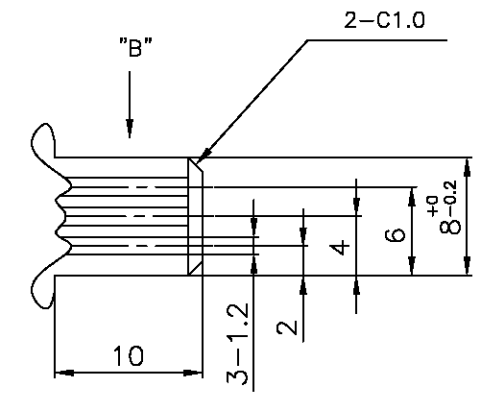
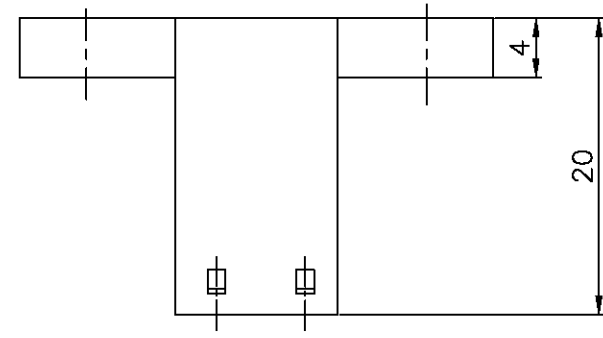
-1; AS SHOWN



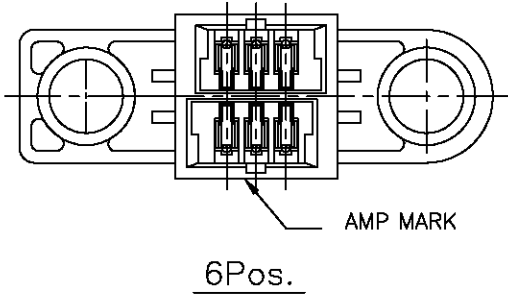
SECT "A"- "A"

NOTES:

1. MATERIAL: H.S.G: GLASS-FILLED P.B.T COLOR: BLACK
CONTACT: COPPER ALLOY
2. FINISH: CONTACT: MATTE TIN PLATE UNDER PLATE NICKEL
3. MATING CONN. (WIRE SIDE AWG#26-#28)
6POS. TYPE173977-3 OR 175778-3
4. SPEC.: CURRENT RATING 2A MAX./PIN
5. RECOMMENDED MATING P.C.B DIMENSIONS



VIEW "B"



TOLERANCES UNLESS OTHERWISE SPECIFIED

10 > *	: ±0.2
30 > * > 10	: ±0.25
100 > * > 30	: ±0.3
ANGLE	: ±3°

THIS DRAWING IS A CONTROLLED DOCUMENT.

DIMENSIONS: MM	TOLERANCES UNLESS OTHERWISE SPECIFIED:
	0 PLC ±
	1 PLC ±
	2 PLC ±
	3 PLC ±
	4 PLC ±
	ANGLES ±
MATERIAL SEE NOTES	FINISH SEE NOTES

DWN J.JIANG	05FEB03
CHK S.YAO	05FEB03
APVD T.SASAKI	05FEB03
PRODUCT SPEC	108-60024
APPLICATION SPEC	
WEIGHT	
CUSTOMER DRAWING	

tyco Electronics		Tyco Electronics Corporation Shanghai, P.R.China,200233	
NAME 6 POS. CT CARD EDGE CONN. L=20mm			
SIZE A3	CAGE CODE 00779	DRAWING NO C=292203	RESTRICTED TO -
SCALE 2:1		SHEET 1 OF 1	REV A