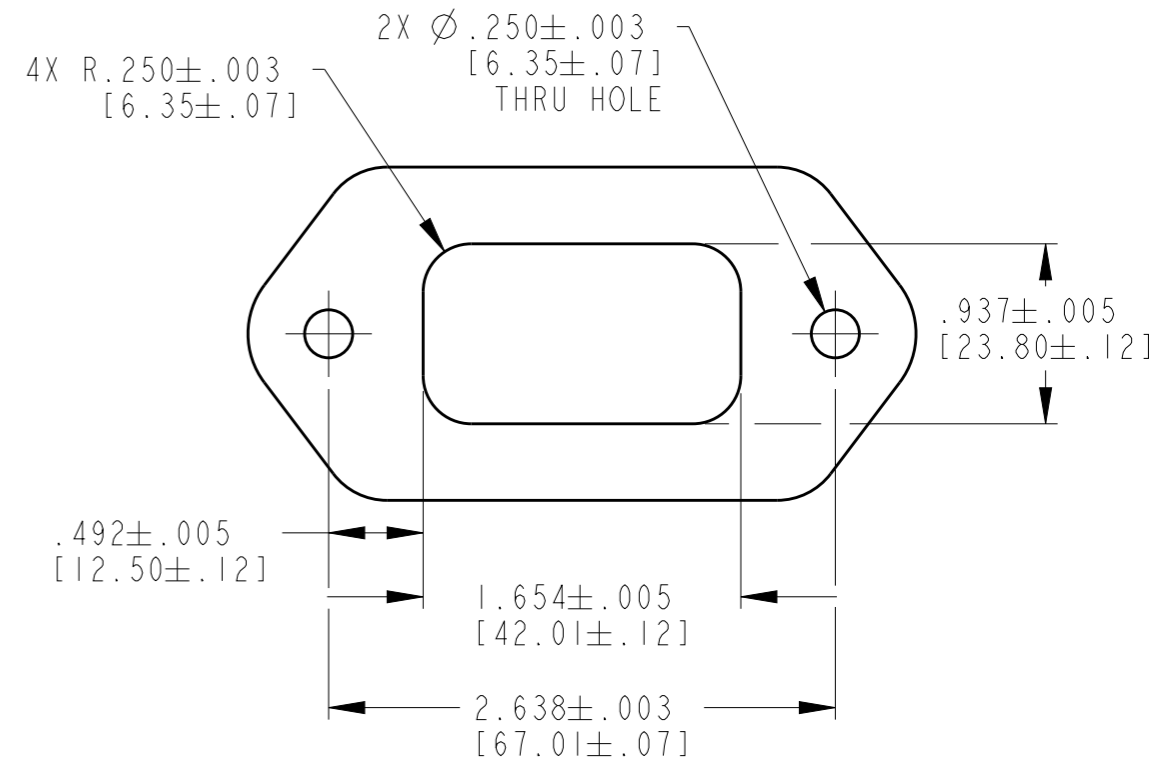
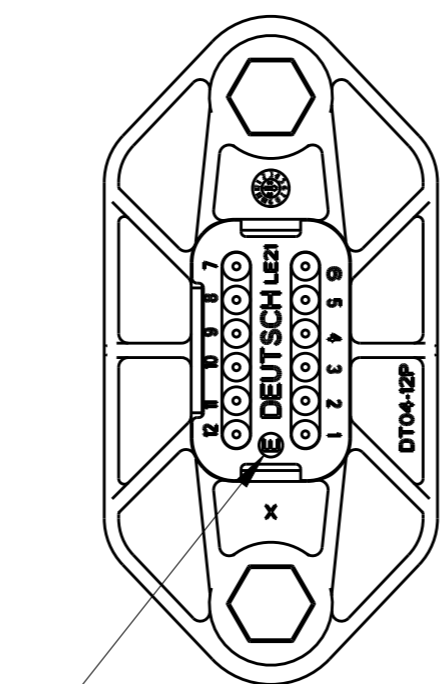
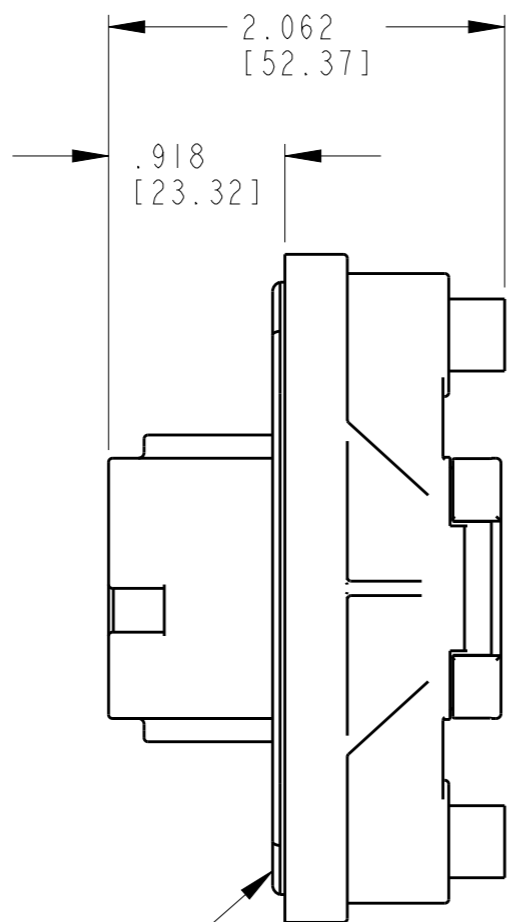
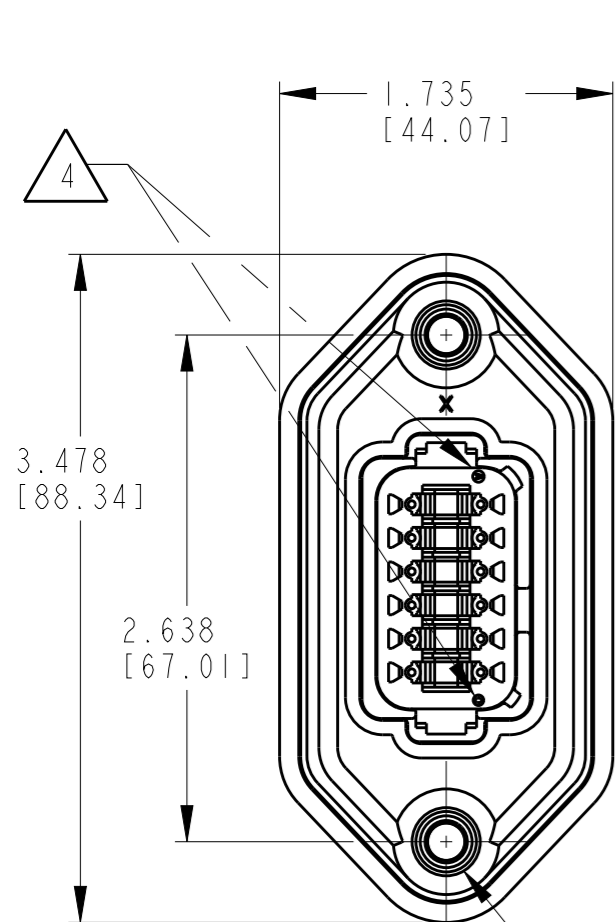


REVISIONS					
P	LTR	DESCRIPTION	DATE	DWN	APVD
	A1	REVISED PER PCN E-17-012564	28AUG2017	JA	DM



2X THREADED INSERT
 M6 X .500 DEEP
 RECOMMENDED TORQUE:
 62-88 IN-LB [7-10 N-m]

FLANGE SEAL IS INTENDED
 FOR NON-PRESSURIZED
 FLUID SPLASH ONLY

-E- SYMBOL DESIGNATES
 REDUCED DIAMETER WIRE SEAL

RECOMMENDED PANEL-CUTOUT

TE INTERNAL PN	DEUTSCH PN
DT04-12PA-LE21	DT04-12PA-LE21
DT04-12PB-LE21	DT04-12PB-LE21
DT04-12PC-LE21	DT04-12PC-LE21
DT04-12PD-LE21	DT04-12PD-LE21

CONTACT SIZE	MIN. INSUL. O.D.	MAX. INSUL. O.D.	WIRE RANGE [mm ²] REF ONLY
16	.053 [1.35]	.120 [3.05]	14-20 AWG [2.5-0.5]

4 DATE CODE: MONTH IS REPRESENTED BY SEQUENTIAL ALPHA CHARACTERS. EX: A = JANUARY, YEAR IS REPRESENTED BY LAST NUMERICAL DIGIT. EX: 0 = 2010

3 MATERIAL: HOUSING, CAP: PA66 GF15 (SEE SHEET 2 FOR COLOR) GROMMET, GASKET: VMQ (RED-ORANGE) INSERTS: STAINLESS STEEL

2. THIS RECEPTACLE MATES WITH DT06-12SX-XXXX PLUG. (X = KEY ARR; XXXX = ALL MODIFICATIONS) CONSULT FACTORY FOR MODIFICATIONS.

1 FOR CONTACTS AND WIRE PERFORMANCE AND APPLICATION CHARACTERISTICS, SEE ENVELOPE DRAWING 0425-015-0000.

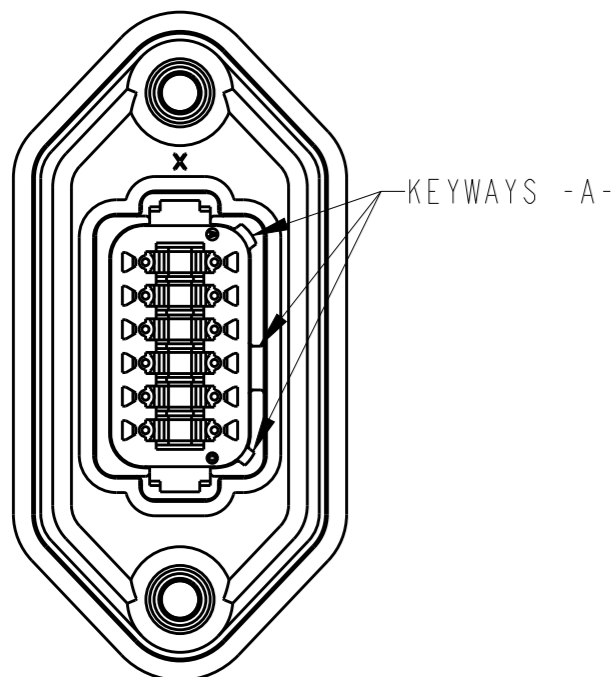
NOTES: UNLESS OTHERWISE SPECIFIED

THIS DRAWING IS A CONTROLLED DOCUMENT.		DWN R. MESSENGER 16OCT2008		
DIMENSIONS: in [mm]		CHK B. BYFORD 09FEB2012		
TOLERANCES UNLESS OTHERWISE SPECIFIED:		APVD S. BEARD 09FEB2012	NAME 12 WAY RECEPTACLE ENHANCED KEY FLANGE DT SEREIS	
0 PLC ±		PRODUCT SPEC 108-151009	SIZE A3 CAGE CODE 4AFU8 DRAWING NO. DT04-12PX-LE21 RESTRICTED TO	
1 PLC ±		APPLICATION SPEC 0425-017-0000	SCALE 1:2 SHEET 1 OF 2 REV A1	
2 PLC ±		WEIGHT 76.48g		
3 PLC ±.025 [0.64]		CUSTOMER DRAWING		
4 PLC ±				
ANGLES ±				
FINISH ±0° 30' 0"				
MATERIAL 3				

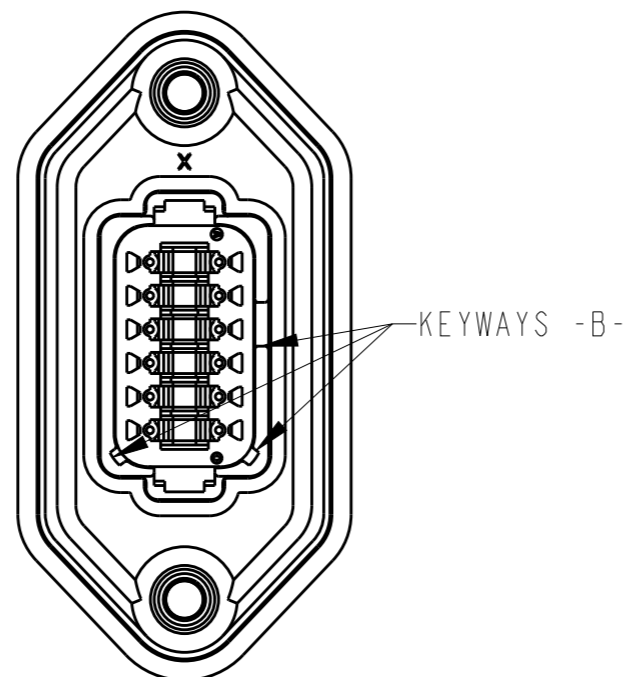
REVISIONS

P	LTR	DESCRIPTION	DATE	DWN	APVD
-		SEE SHEET 1	-	-	-

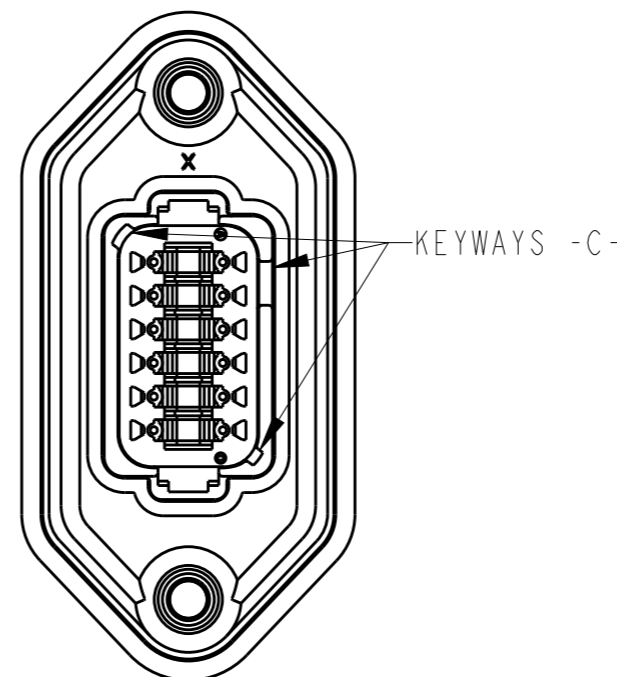
DT04-12PA-LE21
KEY ARR. -A-
COLOR: GRAY



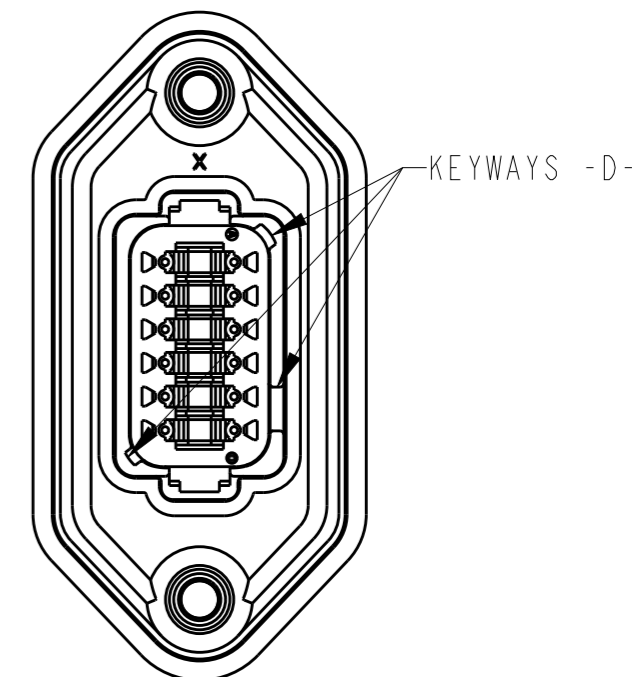
DT04-12PB-LE21
KEY ARR. -B-
COLOR: BLACK



DT04-12PC-LE21
KEY ARR. -C-
COLOR: GREEN



DT04-12PD-LE21
KEY ARR. -D-
COLOR: BROWN



THIS DRAWING IS A CONTROLLED DOCUMENT.

DIMENSIONS: in [mm]	TOLERANCES UNLESS OTHERWISE SPECIFIED:
	0 PLC ±
	1 PLC ±
	2 PLC ±
	3 PLC ±.025 [0.64]
	4 PLC ±
	ANGLES ±0° 30' 0"
MATERIAL 	FINISH

DWN R. MESSENGER 16OCT2008
CHK B. BYFORD 09FEB2012
APVD S. BEARD 09FEB2012
PRODUCT SPEC 108-151009
APPLICATION SPEC 0425-017-0000
WEIGHT 76.48g
CUSTOMER DRAWING



NAME 12 WAY RECEPTACLE ENHANCED KEY FLANGE DT SEREIS			
SIZE A3	CAGE CODE 4AFU8	DRAWING NO DT04-12PX-LE21	RESTRICTED TO
SCALE 1:2	SHEET 2 OF 2	REV A1	