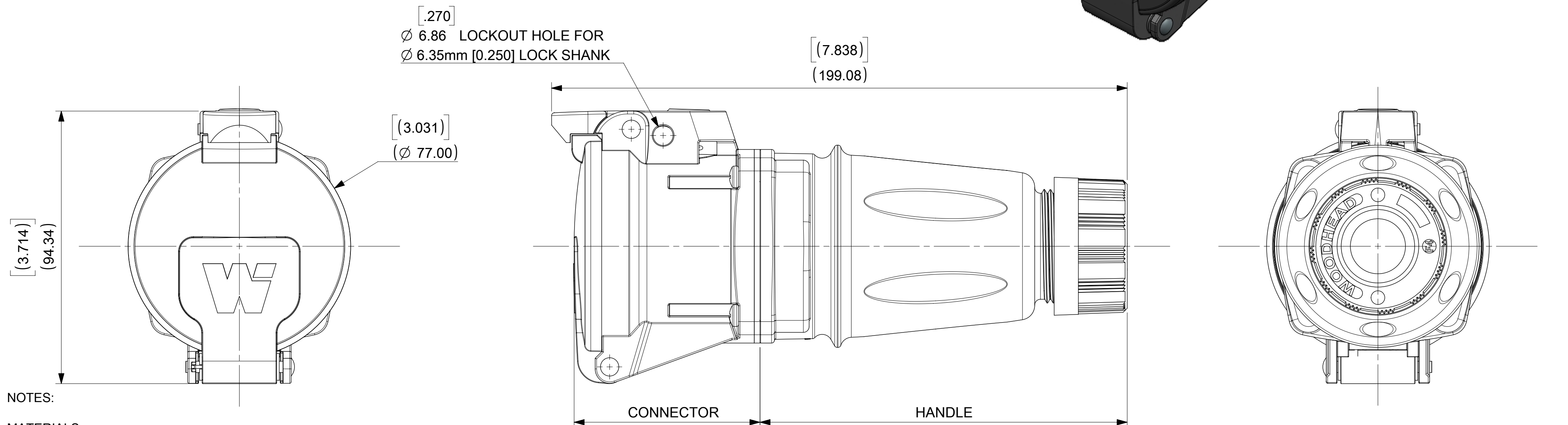
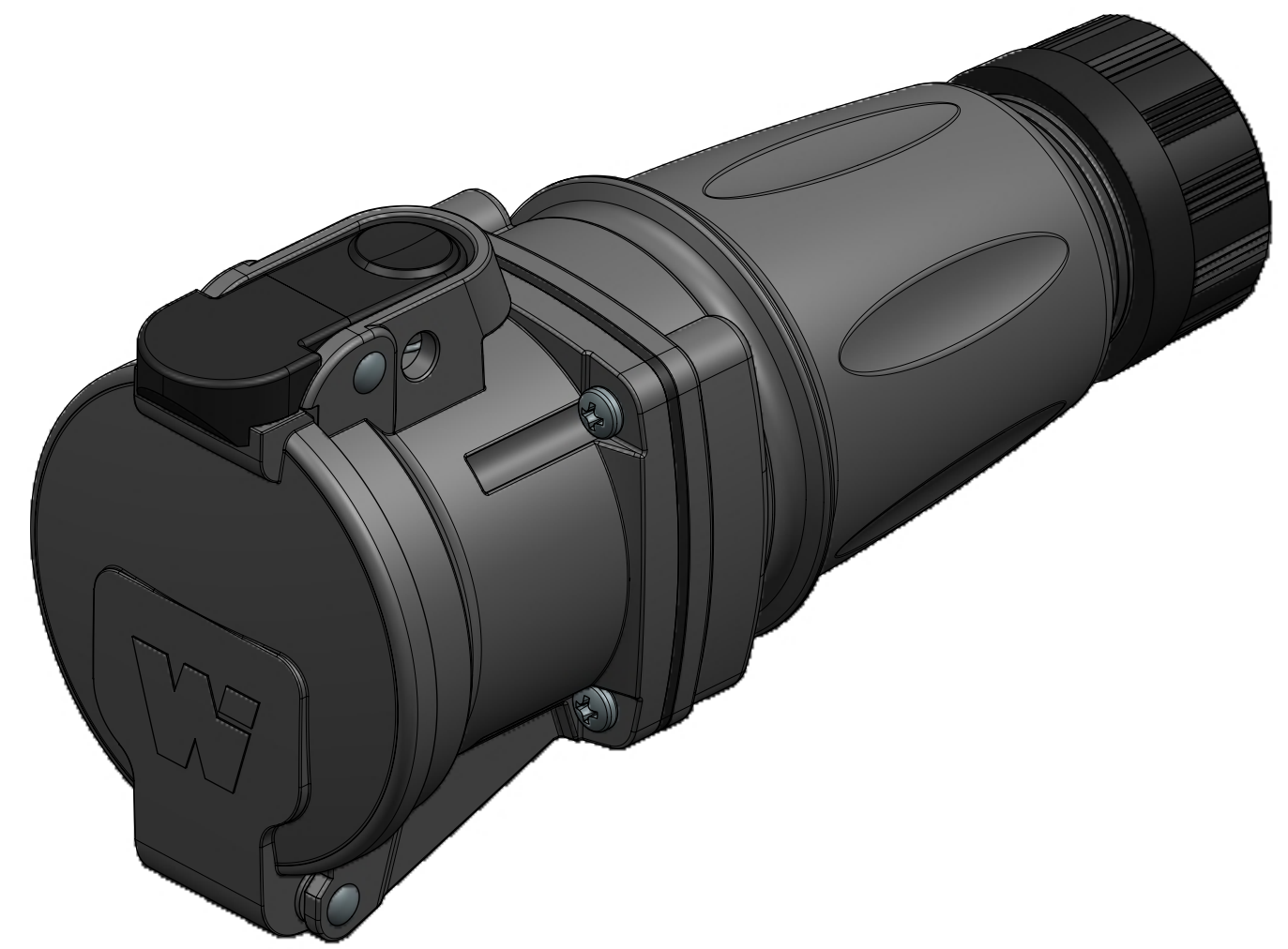


MATERIAL NUMBER	ENG NO.	DESCRIPTION	INSULATOR KEYING POSITION	HORSEPOWER RATING
1122190029	ARC30FHA01	ARC 30A FH 125VAC 1P+N+G	7	1 HP
1122190030	ARC30FHB02	ARC 30A FH 250VAC 2P+G		3 HP
1122190031	ARC30FHB03	ARC 30A FH 250VAC 3P+G		5 HP
1122190032	ARC30FHAB04	ARC 30A FH 125/250VAC 2P+N+G	16	NA
1122190033	ARC30FHC02	ARC 30A FH 208VAC 2P+G		NA
1122190034	ARC30FHC03	ARC 30A FH 208VAC 3P+G		5 HP
1122190035	ARC30FHAC05	ARC 30A FH 120/208VAC 3P+N+G	4	NA
1122190036	ARC30FHD01	ARC 30A FH 277VAC 1P+N+G		NA
1122190037	ARC30FHE02	ARC 30A FH 480VAC 2P+G		10 HP
1122190038	ARC30FHE03	ARC 30A FH 480VAC 3P+G	14	NA
1122190039	ARC30FHDE05	ARC 30A FH 277/480VAC 3P+N+G		NA
1122190040	ARC30FHF02	ARC 30A FH 600VAC 2P+G		NA
1122190041	ARC30FHF03	ARC 30A FH 600VAC 3P+G	14	NA
1122190042	ARC30FHGF05	ARC 30A FH 347/600VAC 3P+N+G		NA



NOTES:

MATERIALS:  
HOUSINGS AND INSULATORS: GLASS FILLED PBT  
CONTACTS: COPPER ALLOY WITH A SILVER NICKEL TIP, SILVER PLATED  
MOUNTING AND INTERFACE GASKETS: SILICONE  
GROMMET - RUBBER  
FRICTION RING - NATURAL POLYETHYLENE  
COMPRESSION NUT - BLACK PBT  
SELF TAPPING SCREWS - STAINLESS STEEL

RATINGS:  
CURRENT: 30 AMPS  
VOLTAGE AND HORSEPOWER: SEE TABLE  
OPERATING TEMPERATURE: -25°C (-13°F) TO 60°C (140°F)  
ENVIRONMENTAL: TYPE 4X, IP69K  
WIRING CAPACITY: 12AWG MIN. TO 8 AWG MAX.  
TORQUE TERMINAL SCREWS TO 1.7 N-M (15 in/lbs)  
AGENCY: UL LISTING PENDING  
SWITCH RATED RECEPTACLE/CONNECTOR  
BRANCH CIRCUIT DISCONNECT SWITCH  
MOTOR CIRCUIT DISCONNECT SWITCH IF HP RATED

CONNECTOR AND HANDLE ARE PACKAGED AS SUB-ASSEMBLIES AND WILL REQUIRE END USER ASSEMBLY.

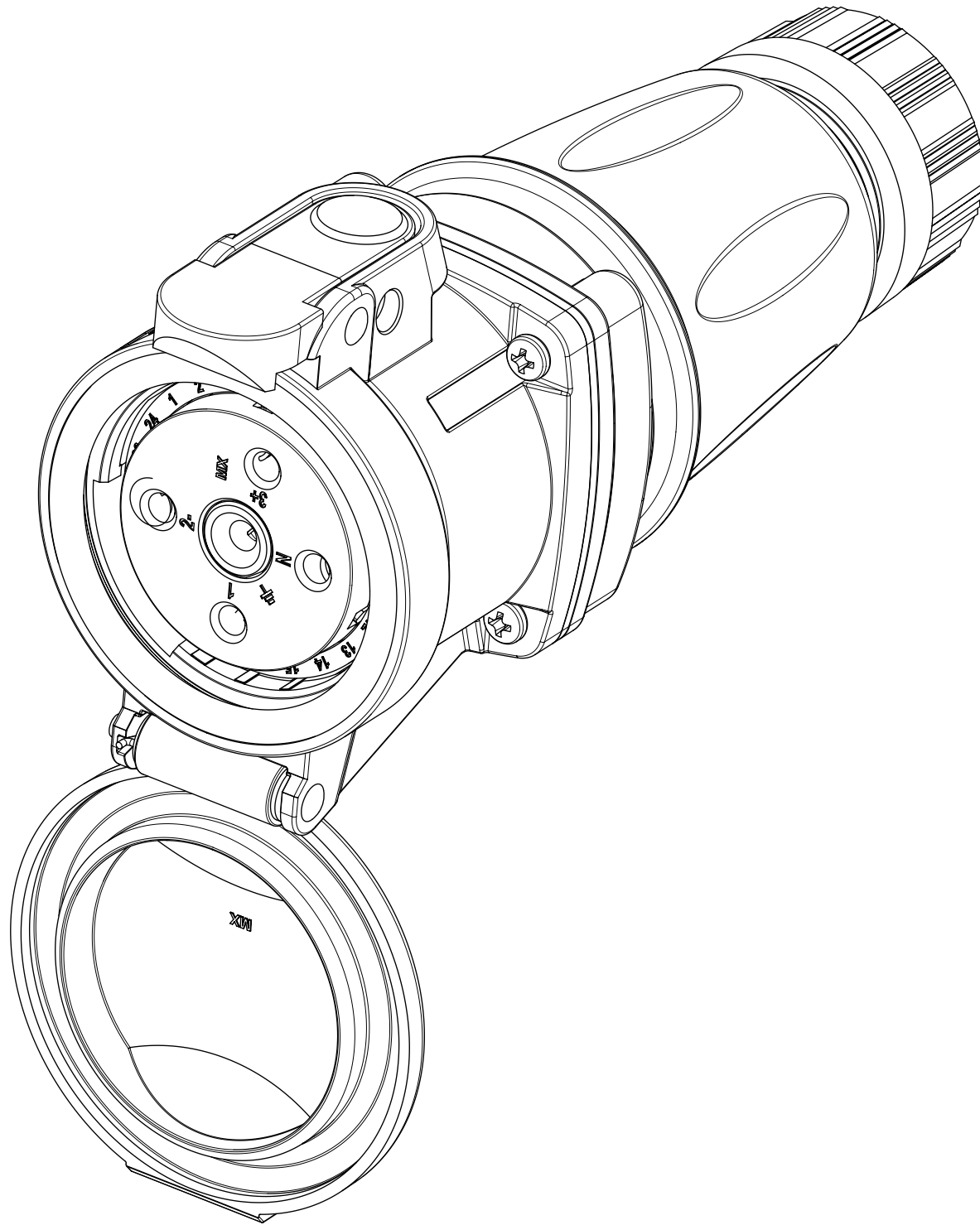
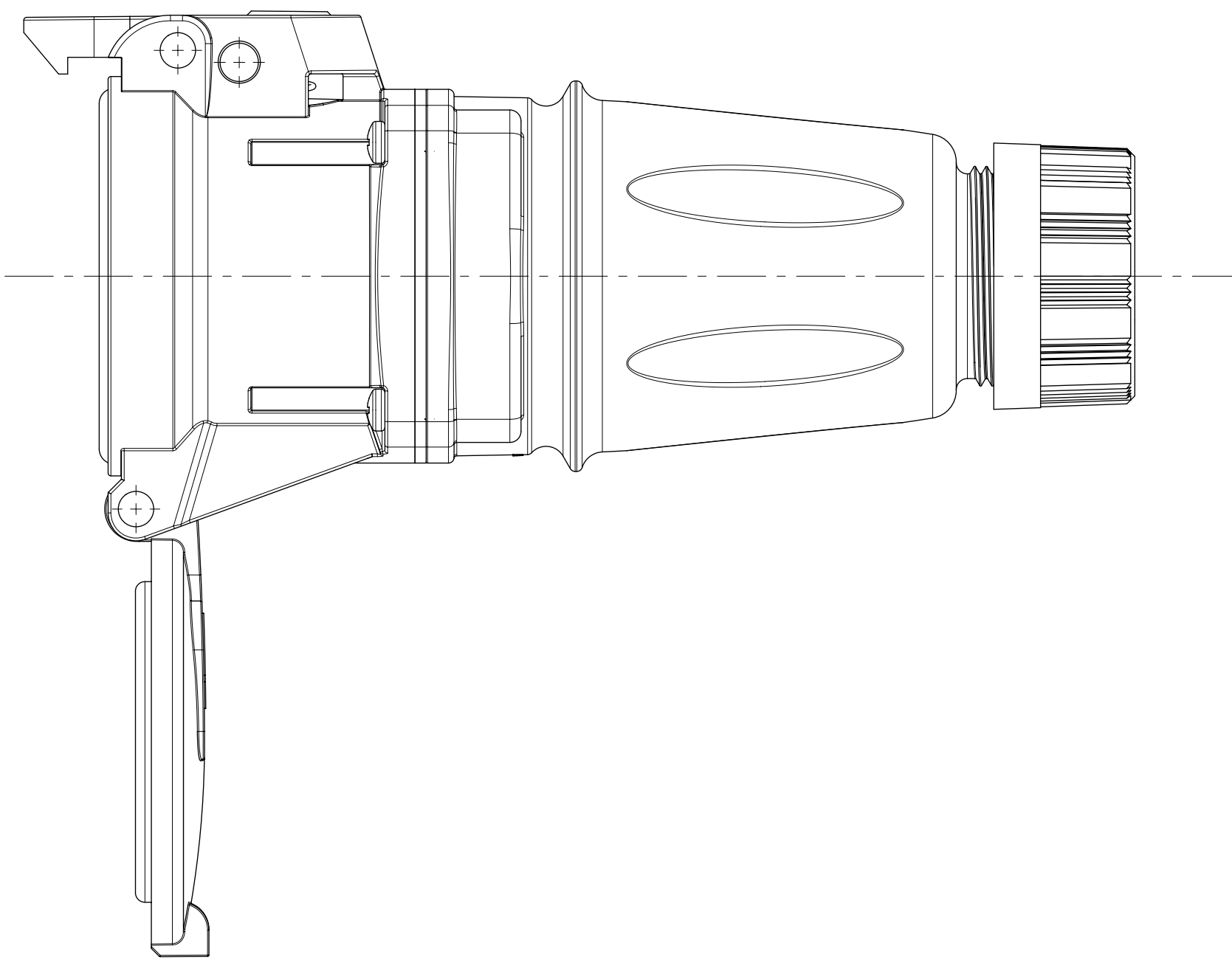
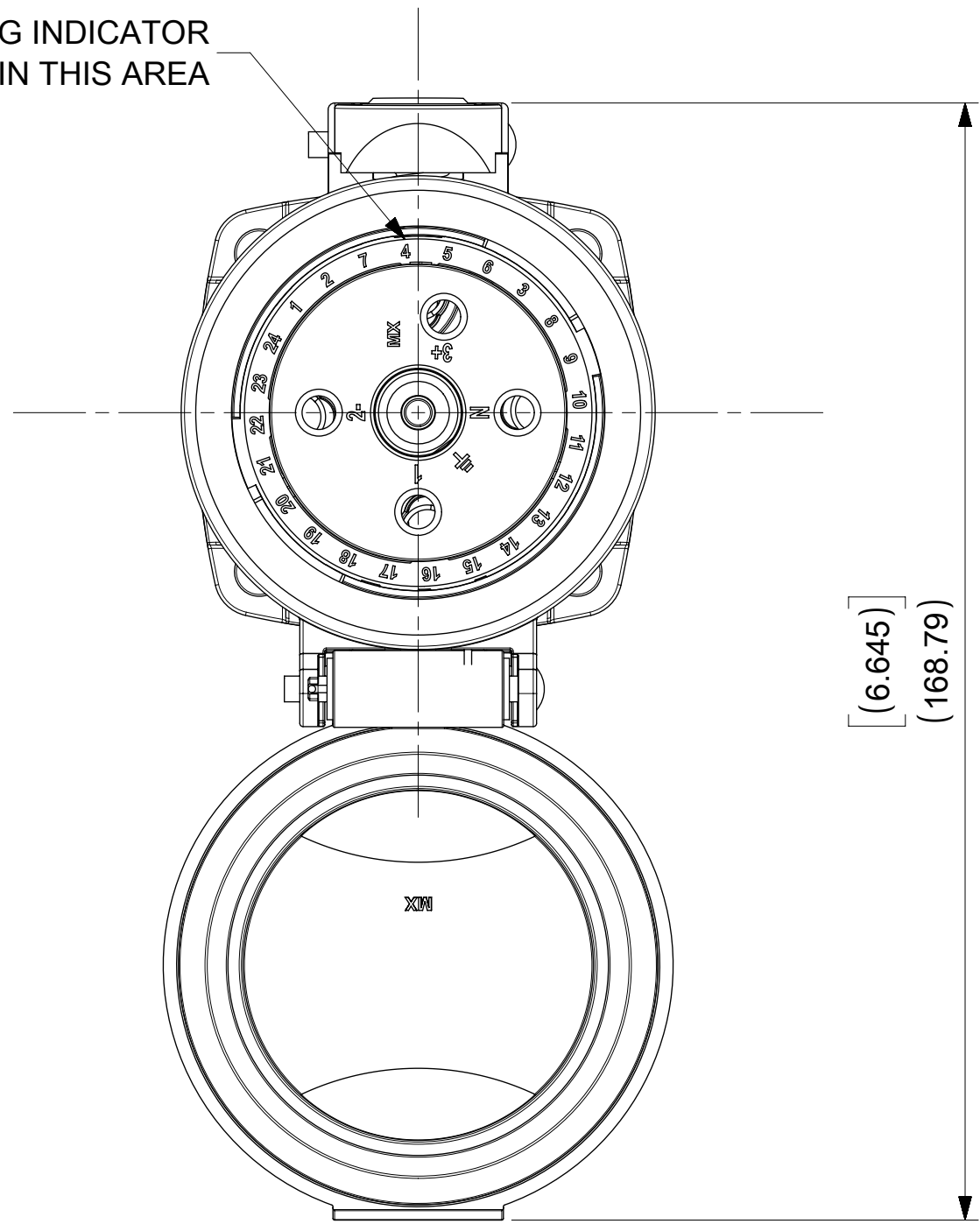
THIS DRAWING REPLACES SD-112219-003.

ARC30FHE03 SHOWN

GROMMET P/N	GROMMET COLOR	CABLE DIAMETER RANGE
1301800411	GRAY	12.7mm - 15.9mm (.500" - .625")
1301800283	ORANGE	15.9mm - 19.0mm (.625" - .750")
1301800413	BLACK	19.0mm - 22.2mm (.750" - .875")

<b>SYMBOLS</b> ▽ = 0 ▽ = 0 ▽ = 0 S = 0 ▽ = 0 ▽ = 0 ▽ = 0 □ = 0 ■ = 0 ▽ = 0	THIS DRAWING CONTAINS INFORMATION THAT IS PROPRIETARY TO MOLEX ELECTRONIC TECHNOLOGIES, LLC AND SHOULD NOT BE USED WITHOUT WRITTEN PERMISSION		CURRENT REV DESC: ADDED 10HP,NEW NOTES		  ARC 30A FH 480VAC 3P+G  PRODUCT CUSTOMER DRAWING DOCUMENT NUMBER: 1122190038 DOC TYPE: PSD DOC PART: 000 REVISION: B2 MATERIAL NUMBER: 112219 CUSTOMER: GENERAL MARKET SHEET NUMBER: 1 OF 2																
	<b>DIMENSION UNITS</b> <b>INCH</b>		<b>SCALE</b> <b>1:1</b>																		
	<b>GENERAL TOLERANCES (UNLESS SPECIFIED)</b>		EC NO: 604773 DRWN: MJANTELEZIO 2018/09/20 CHK'D: JFMURPHY 2018/11/05 APPR: JFMURPHY 2018/11/05																		
	<table border="1"> <thead> <tr> <th></th> <th>MM</th> <th>INCH</th> </tr> </thead> <tbody> <tr> <td>4 PLACES</td> <td>±</td> <td>±</td> </tr> <tr> <td>3 PLACES</td> <td>±</td> <td>±</td> </tr> <tr> <td>2 PLACES</td> <td>±</td> <td>±</td> </tr> <tr> <td>1 PLACE</td> <td>±</td> <td>±</td> </tr> <tr> <td>0 PLACES</td> <td>±</td> <td>±</td> </tr> </tbody> </table>			MM		INCH	4 PLACES	±	±	3 PLACES	±	±	2 PLACES	±	±	1 PLACE	±	±	0 PLACES	±	±
	MM	INCH																			
4 PLACES	±	±																			
3 PLACES	±	±																			
2 PLACES	±	±																			
1 PLACE	±	±																			
0 PLACES	±	±																			
<b>ANGULAR TOL</b> ± °		<b>THIRD ANGLE PROJECTION</b> 		<b>DRAWING</b> <b>C-SIZE</b>																	
<b>DRAFT WHERE APPLICABLE MUST REMAIN WITHIN DIMENSIONS</b>		<b>SERIES</b> <b>112219</b>		<b>SHEET NUMBER</b> <b>1 OF 2</b>																	

INSULATOR KEYING INDICATOR  
LOCATED IN THIS AREA



ARC30FHE03 SHOWN

<b>SYMBOLS</b> DIMENSION UNITS SCALE CURRENT REV DESC: ADDED 10HP,NEW NOTES EC NO: 604773 DRWN: MJANTELEZIO 2018/09/20 CHK'D: JFMURPHY 2018/11/05 APPR: JFMURPHY 2018/11/05 INITIAL REVISION: DRWN: DRWN BY XXXX/XX/XX APPR: APPR BY XXXX/XX/XX DRAFT WHERE APPLICABLE MUST REMAIN WITHIN DIMENSIONS THIRD ANGLE PROJECTION DRAWING SERIES C-SIZE 112219 MATERIAL NUMBER CUSTOMER GENERAL MARKET SHEET NUMBER 2 OF 2	THIS DRAWING CONTAINS INFORMATION THAT IS PROPRIETARY TO MOLEX ELECTRONIC TECHNOLOGIES, LLC AND SHOULD NOT BE USED WITHOUT WRITTEN PERMISSION	<b>molex</b> ARC 30A FH 480VAC 3P+G PRODUCT CUSTOMER DRAWING																					
	INCH 1:1 GENERAL TOLERANCES (UNLESS SPECIFIED)				DOCUMENT NUMBER	DOC TYPE	DOC PART	REVISION															
	<table border="1"> <tr> <th></th> <th>MM</th> <th>INCH</th> </tr> <tr> <td>4 PLACES</td> <td>±</td> <td>±</td> </tr> <tr> <td>3 PLACES</td> <td>±</td> <td>±</td> </tr> <tr> <td>2 PLACES</td> <td>±</td> <td>±</td> </tr> <tr> <td>1 PLACE</td> <td>±</td> <td>±</td> </tr> <tr> <td>0 PLACES</td> <td>±</td> <td>±</td> </tr> </table>		MM	INCH	4 PLACES	±	±	3 PLACES	±	±	2 PLACES	±	±	1 PLACE	±	±	0 PLACES	±	±	1122190038	PSD	000	B2
		MM	INCH																				
	4 PLACES	±	±																				
	3 PLACES	±	±																				
	2 PLACES	±	±																				
	1 PLACE	±	±																				
	0 PLACES	±	±																				
	ANGULAR TOL ± °	1122190038 GENERAL MARKET																					
DRAFT WHERE APPLICABLE MUST REMAIN WITHIN DIMENSIONS	1122190038 GENERAL MARKET																						
THIRD ANGLE PROJECTION DRAWING SERIES C-SIZE 112219	1122190038 GENERAL MARKET																						
MATERIAL NUMBER CUSTOMER GENERAL MARKET	1122190038 GENERAL MARKET																						
SHEET NUMBER 2 OF 2	1122190038 GENERAL MARKET																						