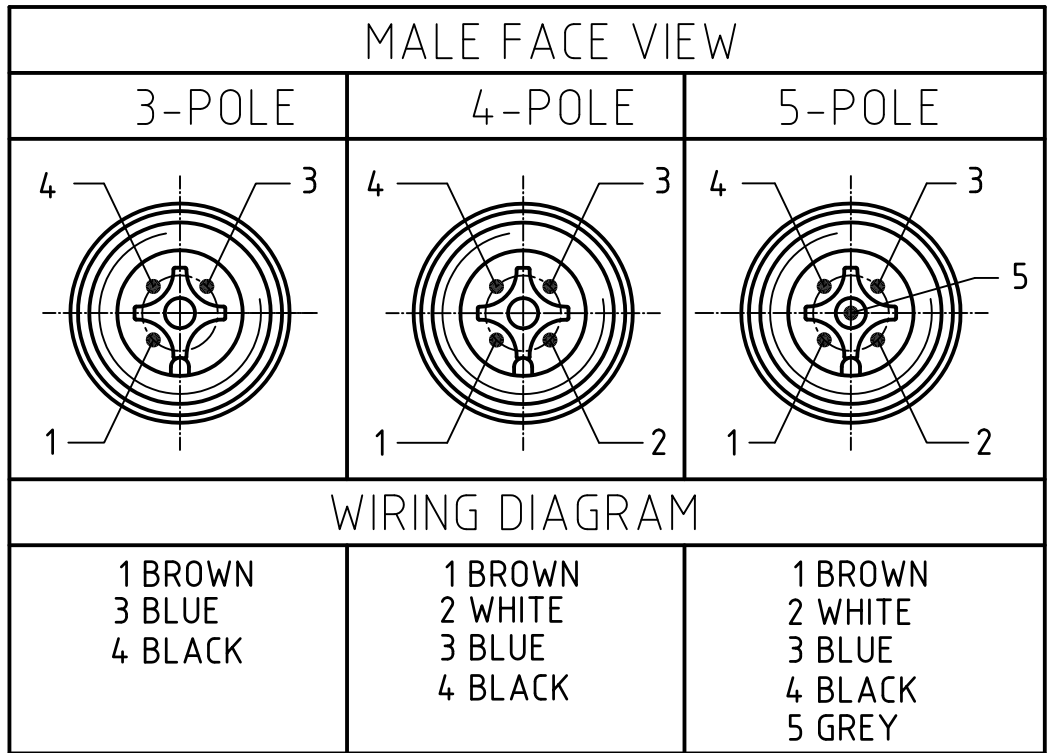


CONNECTOR SPECIFICATION:

VOLTAGE RATING	250 VAC/VDC
AMPERAGE RATING	max. 4 AMPS
PROTECTION	IP67
OPERATING TEMPERATURE	-20°C TO 105°C
UL CERTIFICATIONS	UL RECOGNIZED, FILE NO. E152210
ASSEMBLY IS	RoHS COMPLIANT



ITEM	COMPONENT	MATERIAL	FINISH
6	LABLE	MYLAR	BLACK/YELLOW
5	COUPLER	BRASS	NICKEL PLATED
4	PIN CONTACT	COPPER ALLOY	GOLD OVER NICKEL
3	INSERT	NYLON	BLACK
2	OVERMOLD	POLYURETHANE (PUR)	YELLOW
1	CABLE- 22/3-5 (COPPER STRANDING) 3/4/5 CONDUCT. 300V	JACKET: PVC	JACKET: YELLOW

DESCRIPTION EC NO: WEU2010-0261 DRWN: LSTEMMLE 2010/01/13 CHKD: NS APPR: NSTAUDIG 2010/01/25	QUALITY SYMBOLS ▽ = 0 ▽ = 0	GENERAL TOLERANCES (UNLESS SPECIFIED) mm INCH 4 PLACES ±--- ±--- 3 PLACES ±--- ±--- 2 PLACES ±--- ±.01 1 PLACE ±0.3 ±--- ANGULAR ± --- °	DIMENSION STYLE MM DRAWN BY DATE CHECKED BY DATE RE 2010/01/21 APPROVED BY DATE NSTAUDIG 2010/01/25	SCALE 2:1 DESIGN UNITS METRIC THIRD ANGLE PROJECTION
	DRAFT WHERE APPLICABLE MUST REMAIN WITHIN DIMENSIONS		SEE TABLE SHEET 2	MICRO-CHANGE CORDSET 3/4/5-POL MA STR SE 22/3-5 YELLOW PVC CABLE
	MATERIAL NO.		DOCUMENT NO. SD-120065-028	SHEET NO. 1 OF 1
	THIS DRAWING CONTAINS INFORMATION THAT IS PROPRIETARY TO MOLEX INCORPORATED AND SHOULD NOT BE USED WITHOUT WRITTEN PERMISSION			

POL	MATERIAL NUMBER	ENGINEERING NUMBER	FINISHED LENGTH
3	1200650200	803006A09M020	6.56' +3.5" -0 [2.0M +89 -0]

POL	MATERIAL NUMBER	ENGINEERING NUMBER	FINISHED LENGTH
4	1200650414	804006A09M020	6.56' +3.5" -0 [2.0M +89 -0]
4	1200650418	804006A09M040	13.12' +6.5" -0 [4.0M +165 -0]
4	1200650419	804006A09M050	16.40' +6.5" -0 [5.0M +165 -0]
4	1200650421	804006A09M060	19.69' +6.5" -0 [6.0M +165 -0]
4	1200650425	804006A09M100	32.81' +12.5" -0 [10.0M +318 -0]

POL	MATERIAL NUMBER	ENGINEERING NUMBER	FINISHED LENGTH
5	1200650523	805006A09M020	6.56' +3.5" -0 [2.0M +89 -0]
5	1200650526	805006A09M040	13.12' +6.5" -0 [4.0M +165 -0]
5	1200650528	805006A09M050	16.40' +6.5" -0 [5.0M +165 -0]
5	1200650531	805006A09M060	19.69' +6.5" -0 [6.0M +165 -0]
5	1200650533	805006A09M100	32.81' +12.5" -0 [10.0M +318 -0]

DESCRIPTION EC NO: WEU2010-0261 DRWN: LSTEMMLE 2010/01/13 CHKD: NS APPR: NSTAUDIG 2010/01/25	DESCRIPTION REV	QUALITY SYMBOLS ▽ = 0 ▽C = 0	GENERAL TOLERANCES (UNLESS SPECIFIED) mm      INCH 4 PLACES ±--- ±--- 3 PLACES ±--- ±--- 2 PLACES ±--- ±.01 1 PLACE ±0.3 ±--- ANGULAR ± --- °	DIMENSION STYLE MM DRAWN BY      DATE CHECKED BY      DATE RE      2010/01/21 APPROVED BY      DATE NSTAUDIG      2010/01/25	SCALE 2:1 DESIGN UNITS METRIC	THIRD ANGLE PROJECTION	
		DRAFT WHERE APPLICABLE MUST REMAIN WITHIN DIMENSIONS			SEE TABLE	MICRO-CHANGE CORDSET 3/4/5-POL MA STR SE 22/3-5 YELLOW PVC CABLE	
		SIZE A3			THIS DRAWING CONTAINS INFORMATION THAT IS PROPRIETARY TO MOLEX INCORPORATED AND SHOULD NOT BE USED WITHOUT WRITTEN PERMISSION		
		MOLEX INCORPORATED		DOCUMENT NO. SD-120065-028	SHEET NO. 1 OF 1		