

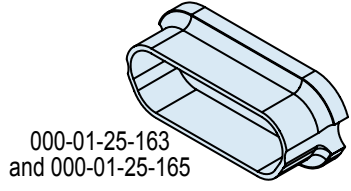
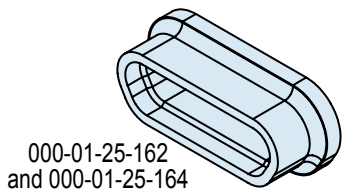
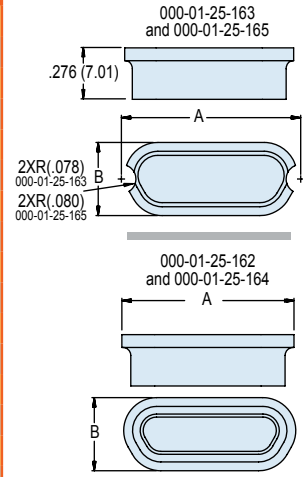


# Anti-Static Thermoplastic Dust Caps and Fluorosilicone Interfacial Seals

## ANTI-STATIC DUST CAPS

**Anti-Static Dust Caps** offer protection to Micro-D connectors for storage and handling. Molded in black thermoplastic LDPE, these caps meet the anti-static decay rate specified in MIL-PRF-81705D. **UL 94-V0** rated, self-extinguishing

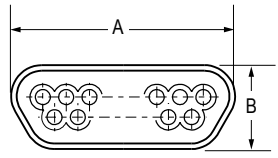
MWDM Metal Shell Connectors						MLDM and MWDL Metal Shell Connectors					
Part Number	Layout	A Ref.		B Ref.		Part Number	Layout	A Ref.		B Ref.	
		In.	mm.	In.	mm.			In.	mm.	In.	mm.
000-01-09-162	9P	.524	13.31	.250	6.35	000-01-09-164	9P	.491	12.47	.349	8.86
000-01-15-162	15P	.647	16.43	.320	8.13	000-01-15-164	15P	.639	16.23	.349	8.86
000-01-21-162	21P	.824	20.93	.250	6.35	000-01-21-164	21P	.789	20.04	.349	8.86
000-01-25-162	25P	.924	23.47	.320	8.13	000-01-25-164	25P	.889	22.58	.349	8.86
000-01-31-162	31P	1.074	27.28	.250	6.35	000-01-31-164	31P	1.039	26.39	.349	8.86
000-01-37-162	37P	1.224	31.09	.320	8.13	000-01-37-164	37P	1.189	30.20	.349	8.86
000-01-51-162	51P	1.174	29.82	.250	6.35	000-01-51-164	51P	1.139	28.93	.390	9.90
000-01-51-172	51-2P	1.574	39.98	.320	8.13	000-01-09-165	9S	.565	14.35	.392	9.96
000-01-67-162	67P	1.974	50.14	.250	6.35	000-01-15-165	15S	.715	18.16	.392	9.96
000-01-69-162	69P	1.474	37.44	.320	8.13	000-01-21-165	21S	.865	21.97	.392	9.96
000-01-00-162	100P	1.574	39.98	.250	6.35	000-01-25-165	25S	.965	24.51	.392	9.96
000-01-09-163	9S	.563	14.30	.320	8.13	000-01-31-165	31S	1.115	28.32	.392	9.96
000-01-15-163	15S	.713	18.11	.300	7.62	000-01-37-165	37S	1.265	32.13	.392	9.96
000-01-21-163	21S	.863	21.92	.360	9.14	000-01-51-165	51S	1.215	30.86	.435	11.05
000-01-25-163	25S	.963	24.45	.250	6.35						
000-01-31-163	31S	1.113	28.27	.320	8.13						
000-01-37-163	37S	1.263	32.08	.250	6.35						
000-01-51-163	51S	1.213	30.81	.320	8.13						
000-01-51-173	51-2S	1.612	40.94	.300	7.62						
000-01-67-163	67S	2.013	51.13	.360	9.14						
000-01-69-163	69S	1.512	38.40	.340	8.64						
000-01-00-163	100S	1.615	41.02	.410	10.41						



## INTERFACIAL SEALS FOR METAL SHELL MICRO-D SOCKET CONNECTORS



**Replacement Interfacial Seals** fit Micro-D metal shell socket connectors. These blue fluorosilicone seals allow replacement of damaged seals.



Layout	Part Number	A Ref.		B Ref.	
		In.	mm.	In.	mm.
9S	000-01-09-132	.330	8.4	.180	4.6
15S	000-01-15-132	.480	12.2	.180	4.6
21S	000-01-21-132	.630	16.0	.180	4.6
25S	000-01-25-132	.730	18.5	.180	4.6
31S	000-01-31-132	.880	22.4	.180	4.6
37S	000-01-37-132	1.030	26.2	.180	4.6
51S	000-01-51-132	.976	24.8	.223	5.7
100S	000-01-100-132	1.386	35.2	.270	6.9

