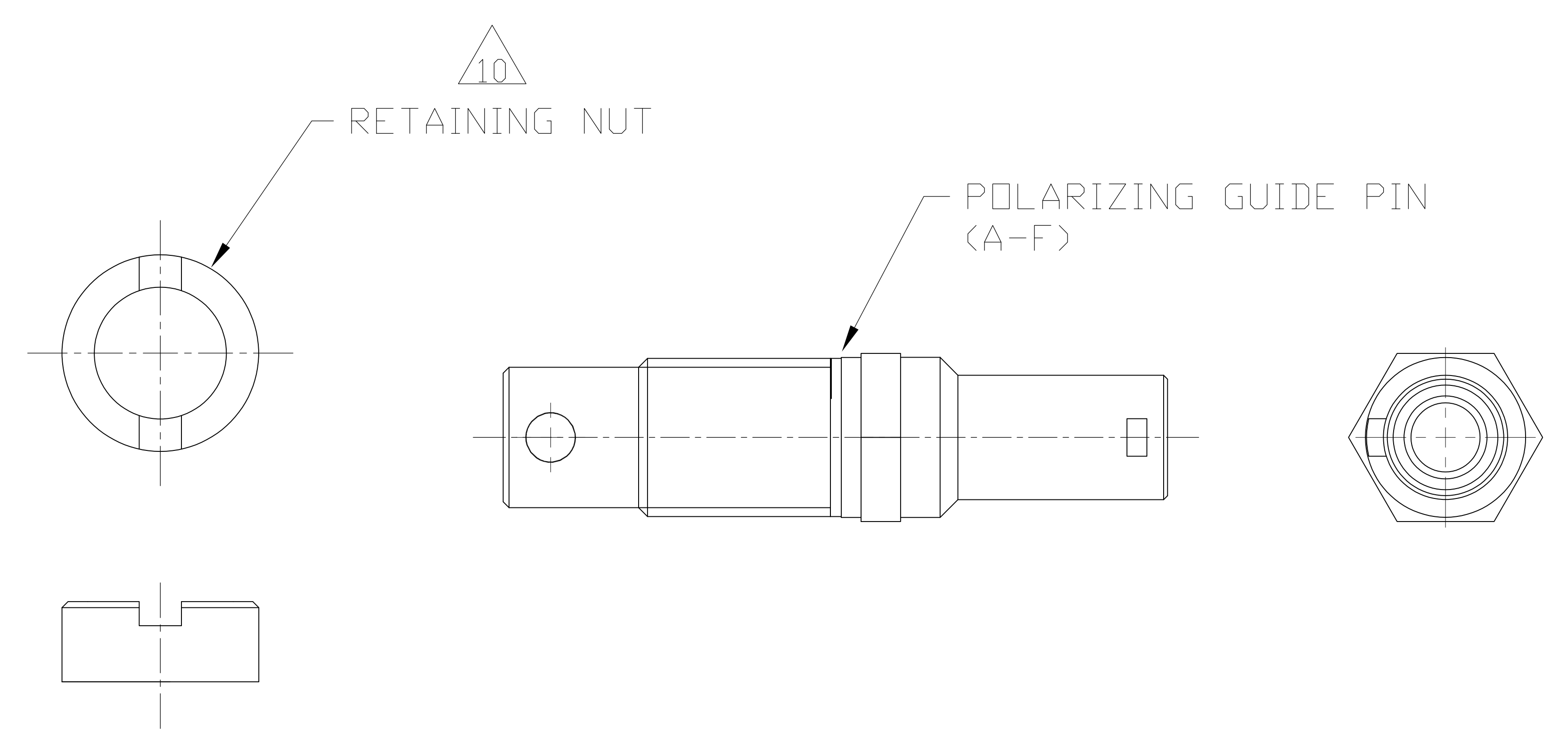


RECOMMENDED PANEL CUTOUT



POLARIZING GUIDE PIN KIT

THIS PRINT IS
PRELIMINARY
 UNQUALIFIED PRODUCT
 CONTACT PRODUCT ENGINEERING
 BEFORE USING THIS PRINT

1738252-1
 PART NUMBER

THIS DRAWING IS A CONTROLLED DOCUMENT.		DATE	REV	DESCRIPTION	BY	APP'D
DIMENSIONS: mm (INCHES)		DATE	REV	DESCRIPTION	BY	APP'D
TOLERANCES UNLESS OTHERWISE SPECIFIED:		DATE	REV	DESCRIPTION	BY	APP'D
Ø	± 0.10 [0.004]	DATE	REV	DESCRIPTION	BY	APP'D
PLUG SHELL KIT, WITH TWO 3.10mm DIA MOUNTING HOLES, WITH A-F POLARIZING GUIDE PIN, GPRB2		DATE	REV	DESCRIPTION	BY	APP'D
MATERIAL	FINISH	WEIGHT	SCALE	CAGE CODE	DRAWING NO	RESTRICTED TO
			1:1	A000779	1738252	
CUSTOMER DRAWING		SCALE	SHEET	REV		
		1:1	2 of 2	4		