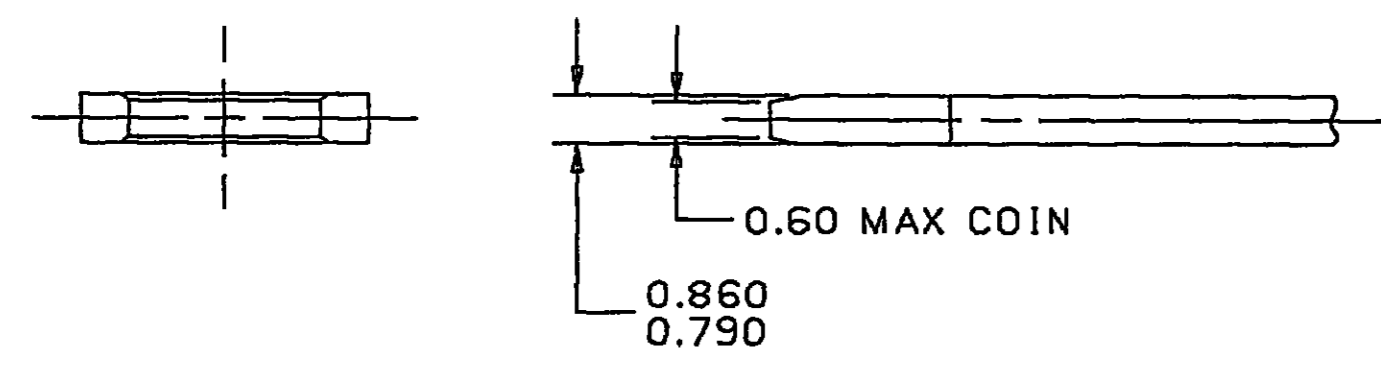
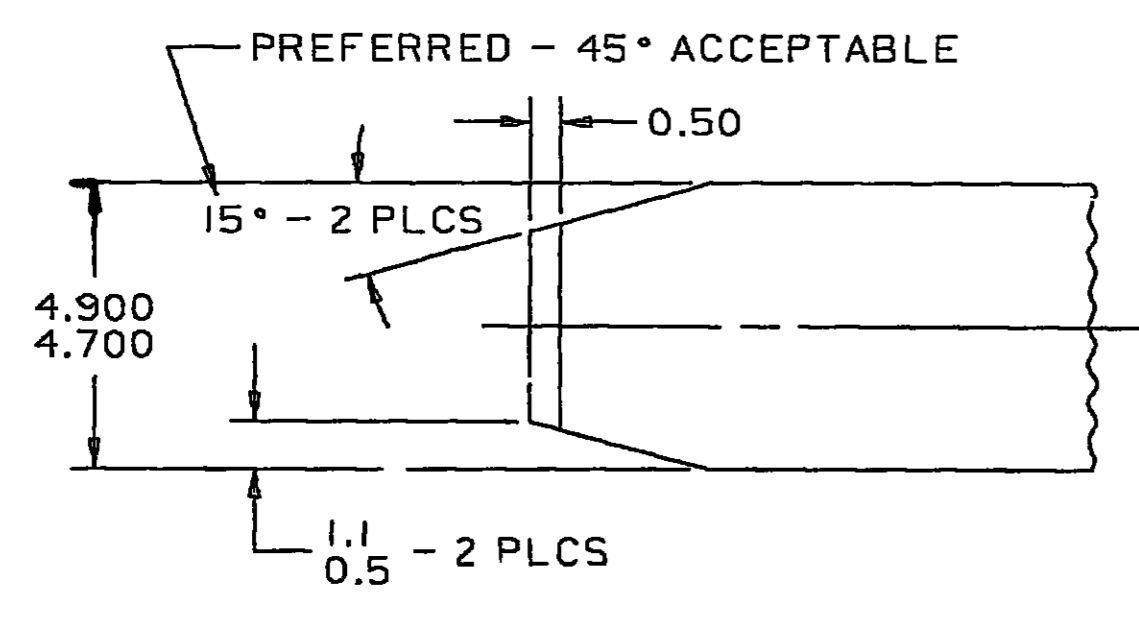


D THIS DRAWING AND DESIGN HEREON CONSTITUTES A PROPRIETARY DESIGN OF PACKARD ELECTRIC DIVISION AND IS NOT TO BE DUPLICATED OR REPRODUCED WITHOUT AUTHORITY OF PACKARD ELECTRIC DIVISION.
DO NOT SCALE

PART NO. 1205 9296

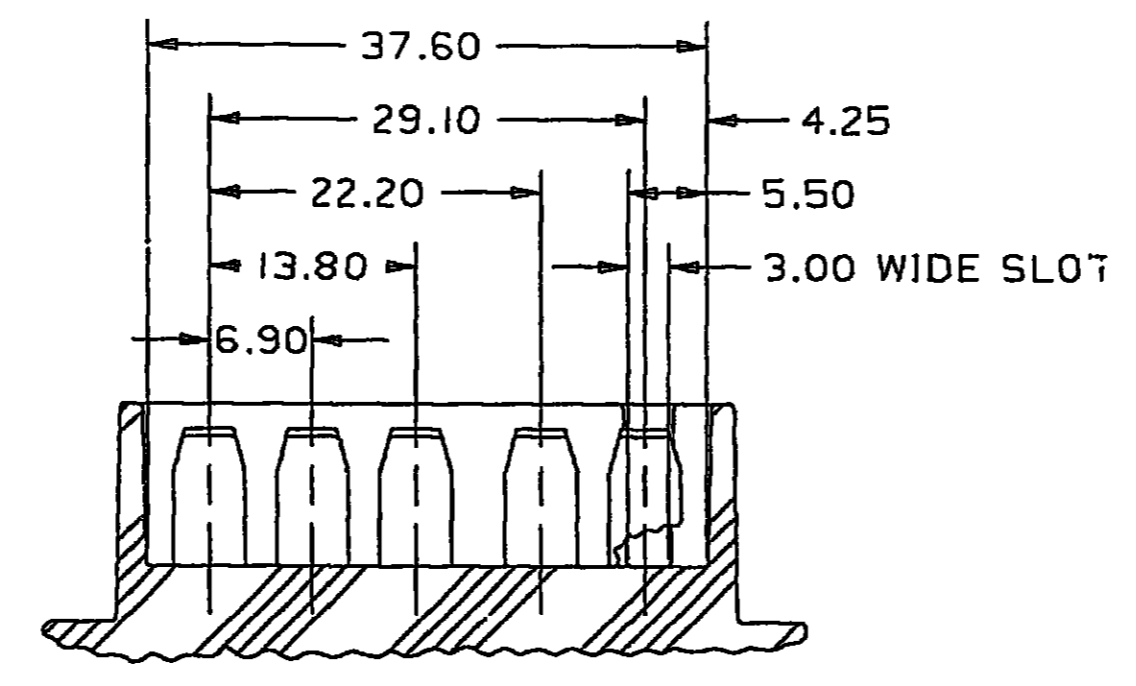
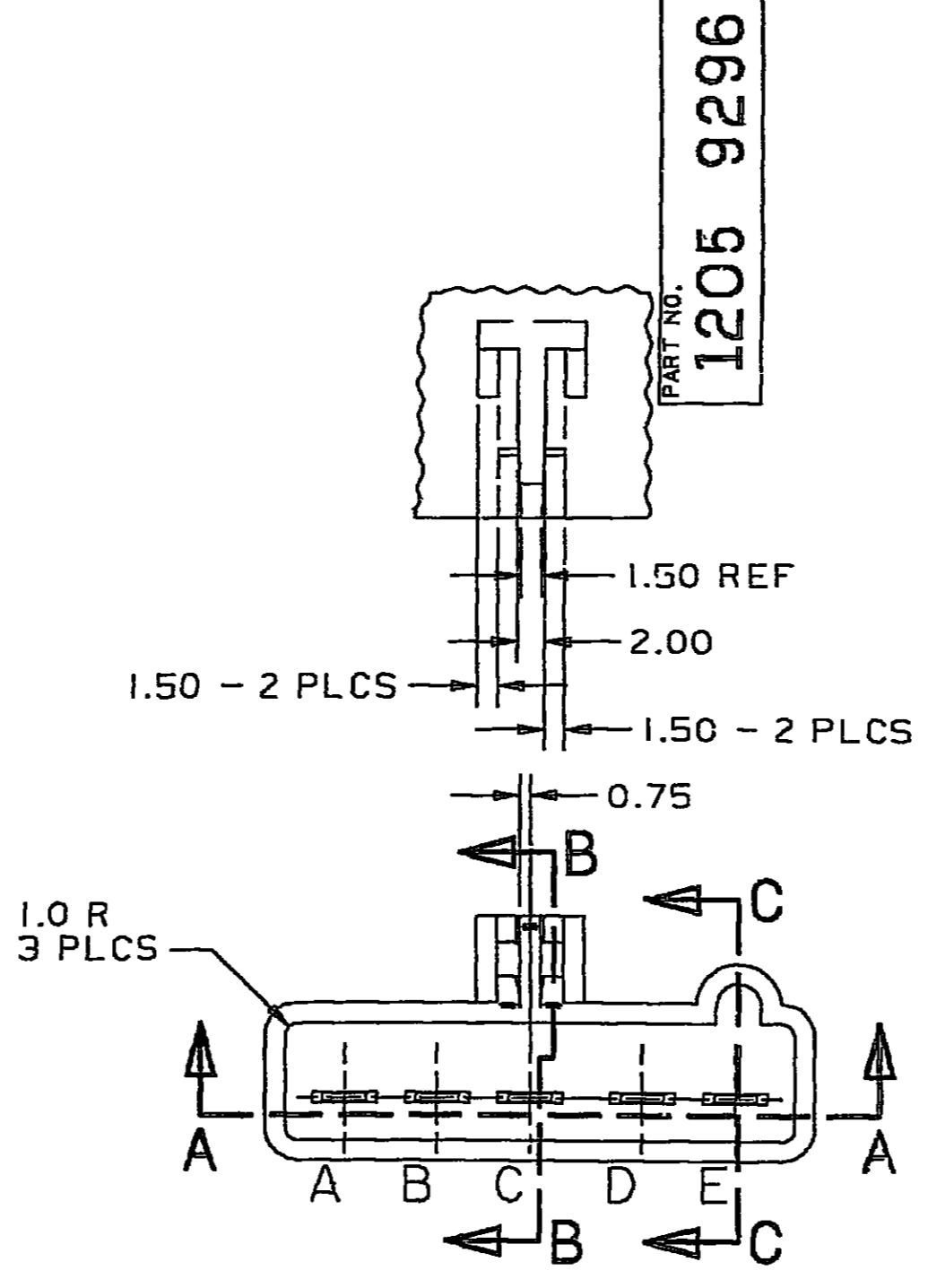
PACKARD ELECTRIC DIVISION
GENERAL MOTORS CORPORATION
WARREN, OHIO

10-165
M1-A

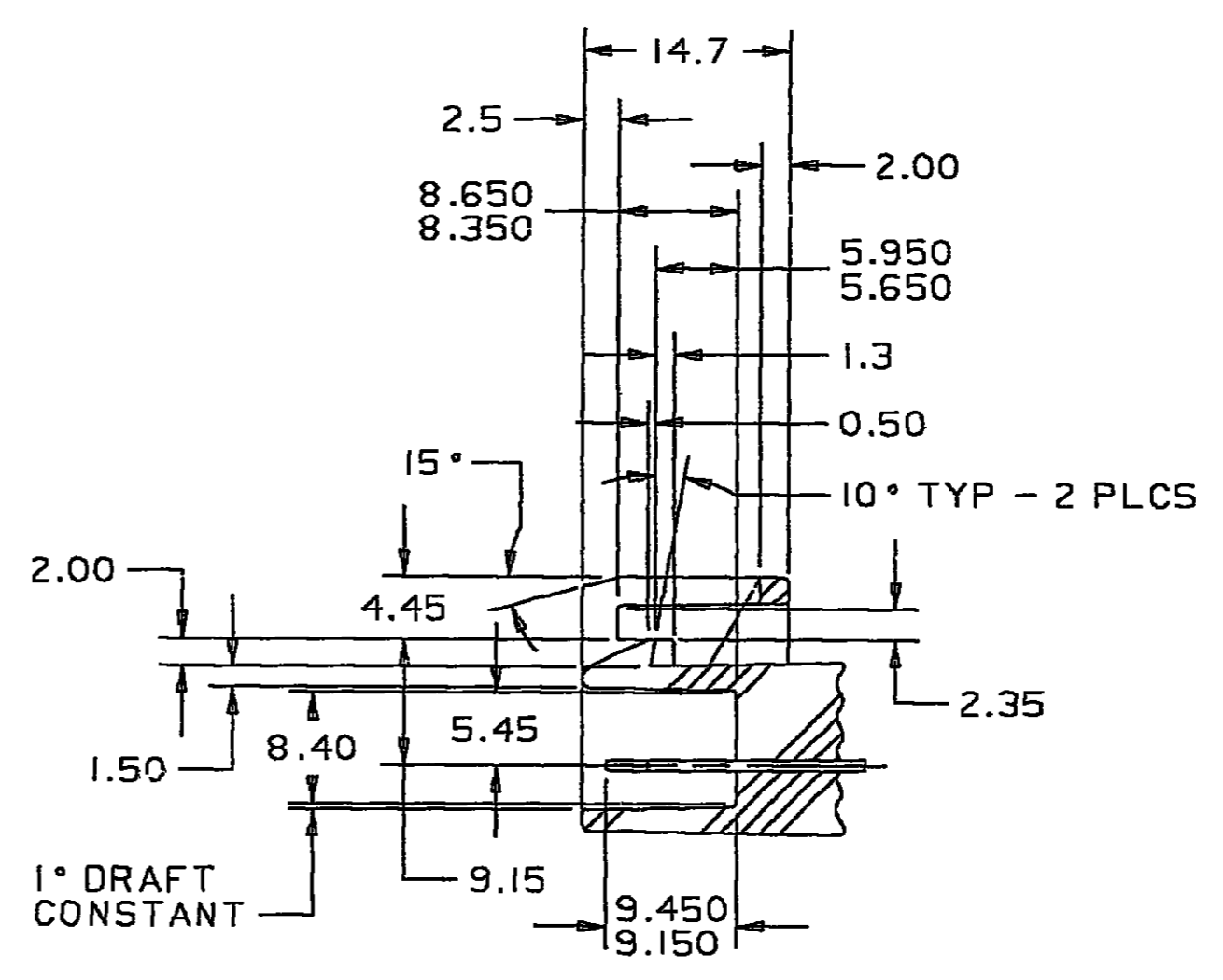


MATING TERMINAL INFORMATION
(SCALE 8:1)

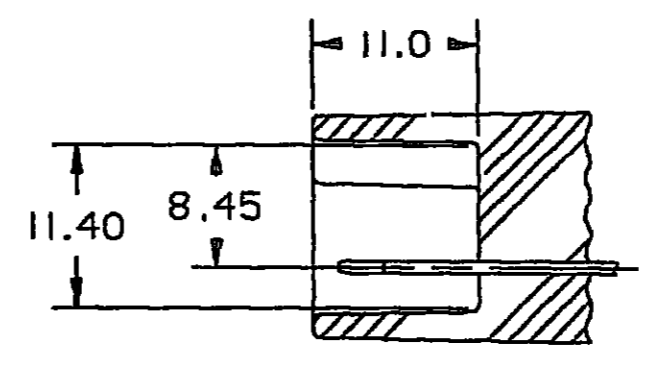
RECOMMENDED MATERIAL: P-1546 (CA210) BRASS
EXTRA SPRING TEMPER - TIN PLATED
PLATING THICKNESS: 0.003-0.005 MM
TENSILE STRENGTH: 430-480 MPA
USE OF MATERIAL WITH CONDUCTIVITY ≤ 20% IACS AT 68° F SHOULD BE APPROVED BY PACKARD ELECTRIC.



SECTION A-A



SECTION B-B



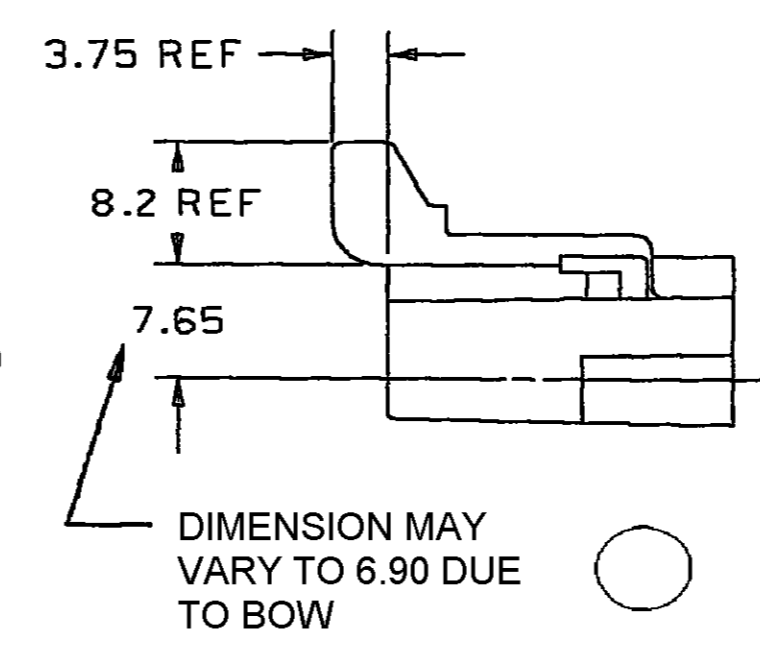
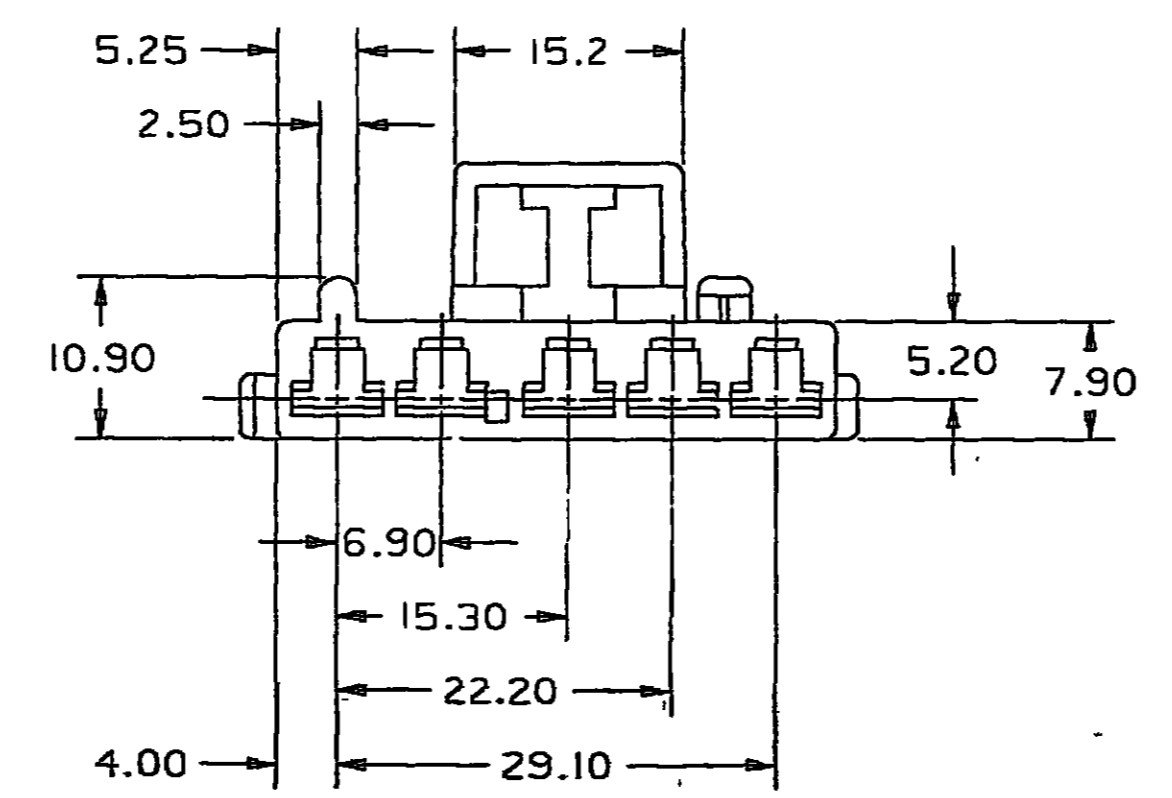
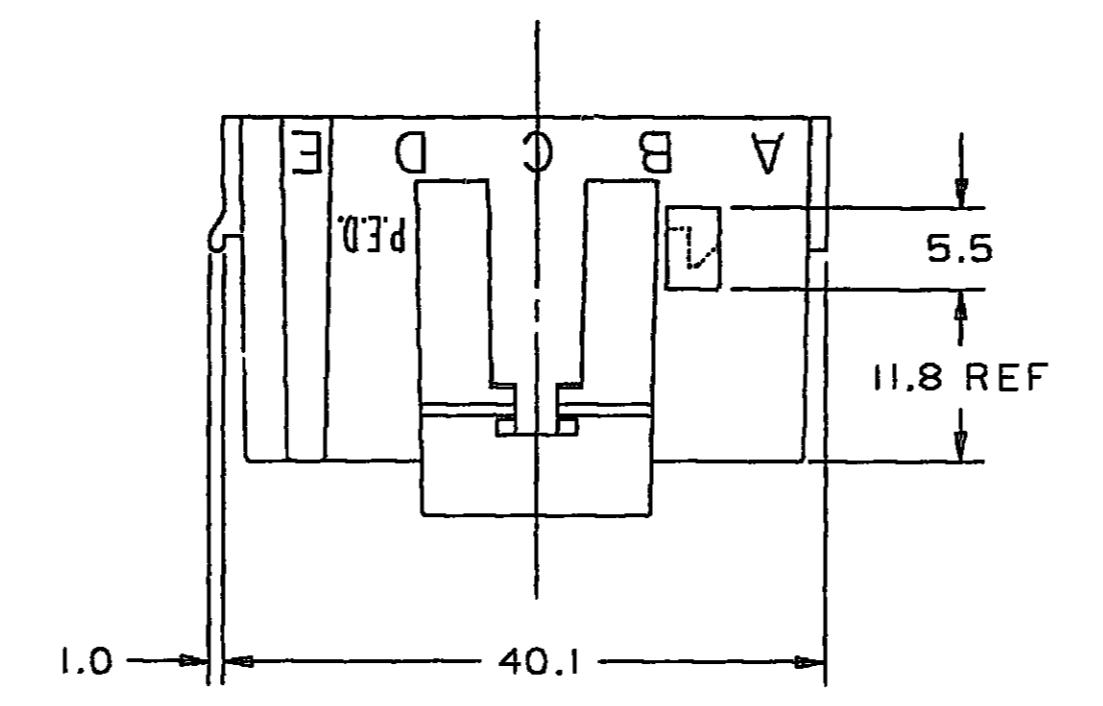
SECTION C-C

MATING CONNECTOR INFORMATION

RECOMMENDED MATERIAL: NYLON

- NOTES — 1. ALL RADII 0.40 UNLESS OTHERWISE SPECIFIED.
2. DIMENSIONS ARE TO FACE OF VIEW SHOWN, UNLESS OTHERWISE SPECIFIED.

DATE	SYM	REVISION RECORD	AUTH	DR	CK
10FE87		REDRAWN FROM "B" SIZE: ADDED MATING CONNECTOR AND MATING TERMINAL INFORMATION - REV.			
		LEVEL REMAINS AT "A"	111506	DTT	JC
29JN88	A1	12015860 TERMINAL WAS 12015144	880009	JAB	SA
14FE06	A2	ADDED LABEL	277444	CCM	JMM



- NOTES — 1. CAVITIES ACCEPT 12015860 TERMINAL OR EQUIVALENT.
2. SECONDARY LOCK 12059297 OR EQUIVALENT.
3. THIS DESIGN MUST BE USED WITH 12020833 LOCK.

C04D1969

METRIC THIRD ANGLE PROJECTION
DIMENSIONS ARE IN MILLIMETERS UNLESS OTHERWISE SPECIFIED

CODE NO	6901	TOLERANCE UNLESS OTHERWISE SPECIFIED	ANGULAR: 2°
QC		DECIMAL: ONE PLACE ± 0.3	
DWG DATE	16FE84	SCALE	NONE
DR.	Dan Thomas	DATE	10FE87
CD.C.M.P.F.5.12059296.0D		CK.	
REFERENCE NO.	12059296 "E" SIZE	APPR.	
MATERIAL SPEC.	(NYLON - RED)	DATE	
NAME	CONN 5F M/P 480	DATE	
PART NO.	1205 9296	DATE	

OUTLINE DRAWING