

## General Description

The GX62474 is a high-performance parallel low V<sub>pi</sub> linear Mach-Zender Modulator (MZM) driver designed for 100G DP-QPSK long-haul optical transmitters. The GX62474 is a small form factor (SFF) with differential inputs and single ended outputs. The GX62474 is a surface mount device (SMD) packaged solution consisting of 4 x 32Gb/s broadband amplifiers, each capable of driving a linear output voltage of 6.5V<sub>pp</sub> suitable for multilevel modulation applications.

## Device Diagram

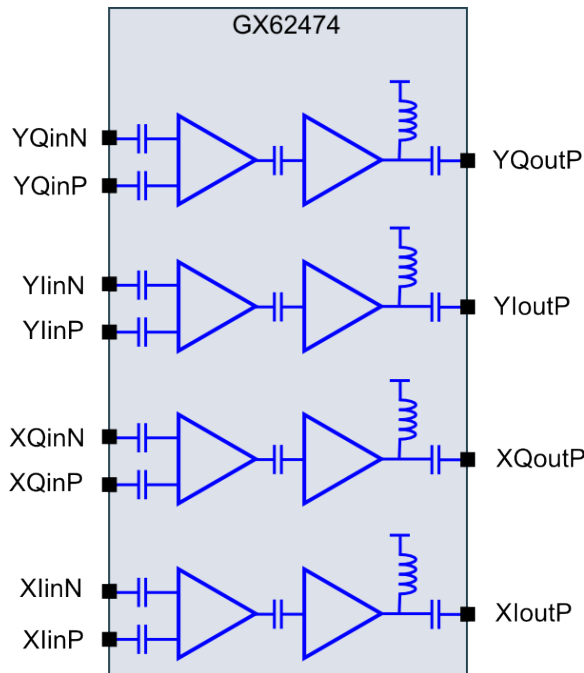


Figure 1: Device diagram

## Applications

- 100Gb/s Coherent Systems using DP-QPSK
- 200Gb/s & 400Gb/s advanced multi-level modulation systems

## Features

- Data rate up to 32Gb/s per channel for 100G/200G/400G DP-QPSK coherent applications
- Ultra low inter channel crosstalk
- Small form factor SMD
- No external RF supply chokes & RF decoupling required
- Internal RF input and output DC blocking
- Linear output voltage up to 6.5V<sub>pp</sub>
- Gain control independent for each channel
- Integrated peak detector for each channel

## Ordering Information

Part	Temperature Range	Package
GX62474-HIU	-5°C to +85°C	SMD 13mm x 19mm

For price, delivery schedules, and to place orders, please contact IDT: [www.IDT.com/go/sales](http://www.IDT.com/go/sales)

**Corporate Headquarters**

6024 Silver Creek Valley Road  
San Jose, CA 95138  
[www.IDT.com](http://www.IDT.com)

**Sales**

1-800-345-7015 or 408-284-8200  
Fax: 408-284-2775  
[www.IDT.com/go/sales](http://www.IDT.com/go/sales)

**Tech Support**

[www.IDT.com/go/support](http://www.IDT.com/go/support)

DISCLAIMER Integrated Device Technology, Inc. (IDT) and its affiliated companies (herein referred to as "IDT") reserve the right to modify the products and/or specifications described herein at any time, without notice, at IDT's sole discretion. Performance specifications and operating parameters of the described products are determined in an independent state and are not guaranteed to perform the same way when installed in customer products. The information contained herein is provided without representation or warranty of any kind, whether express or implied, including, but not limited to, the suitability of IDT's products for any particular purpose, an implied warranty of merchantability, or non-infringement of the intellectual property rights of others. This document is presented only as a guide and does not convey any license under intellectual property rights of IDT or any third parties.

IDT's products are not intended for use in applications involving extreme environmental conditions or in life support systems or similar devices where the failure or malfunction of an IDT product can be reasonably expected to significantly affect the health or safety of users. Anyone using an IDT product in such a manner does so at their own risk, absent an express, written agreement by IDT.

Integrated Device Technology, IDT and the IDT logo are trademarks or registered trademarks of IDT and its subsidiaries in the United States and other countries. Other trademarks used herein are the property of IDT or their respective third party owners. For datasheet type definitions and a glossary of common terms, visit [www.idt.com/go/glossary](http://www.idt.com/go/glossary). All contents of this document are copyright of Integrated Device Technology, Inc. All rights reserved.