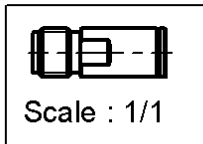
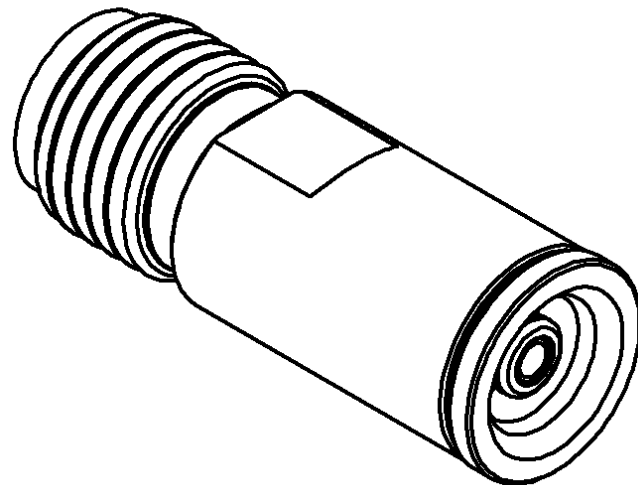
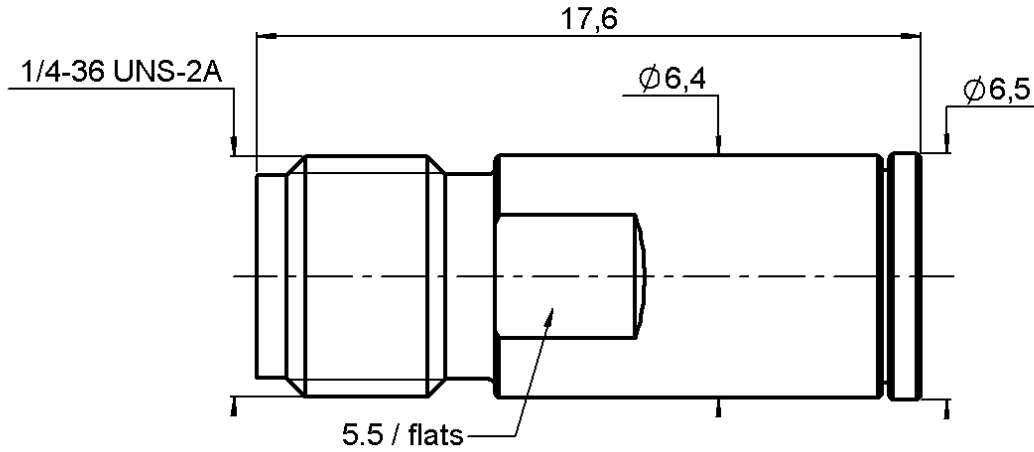


SMA FEMALE-MMBX FEMALE STRAIGHT ADAPTER

R191.389.400

Série : ADAPT



All dimensions are in mm.



COMPONENTS	MATERIALS	PLATING (µm)
BODY	BRASS	GOLD 0.2 OVER NON MAGN NICKEL 2
CENTER CONTACT	BERYLLIUM COPPER	GOLD 1.3 OVER NICKEL 2
OUTER CONTACT	-	-
INSULATOR	LIQUID CRISTAL POLYMER ,PTFE	-
GASKET	-	-
OTHERS PARTS	-	-
-	-	-
-	-	-

Issue : 0623 A

In the effort to improve our products, we reserve the rights to make changes judged to be necessary.



SMA FEMALE-MMBX FEMALE STRAIGHT ADAPTER

R191.389.400

Série : ADAPT

PACKAGING

SPECIFICATION

Standard	Unit	Other
	'W' option	Contact us

ELECTRICAL CHARACTERISTICS

Impedance		50 Ω
Frequency		0-12.4 GHz
VSWR	1.083 +	0,0000 x F(GHz) Maxi
Insertion loss		0.12 √F(GHz) dB Maxi
RF leakage	- (100 - F(GHz)) dB Maxi
Voltage rating		330 Veff Maxi
Dielectric withstanding voltage		500 Veff mini
Insulation resistance		1000 MΩ mini

ENVIRONMENTAL

Operating	-55/+155° °C
Hermetic seal	NA Atm.cm3/s
Panel leakage	NA

MECHANICAL CHARACTERISTICS

Center contact retention	
Axial force – Mating end	10 N mini
Axial force – Opposite end	10 N mini
Torque	NA N.cm mini
Recommended torque	
Mating	0 N.cm
	0 N.cm
	0 N.cm
Panel nut	NA N.cm
Mating life	500 Cycles mini
Weight	2,7300 g

OTHER CHARACTERISTICS

to 6 GHz
Interface MMBX only up to 2.5GHz

Issue : 0623 A

In the effort to improve our products, we reserve the rights to make changes judged to be necessary.

