

THIS DRAWING IS UNPUBLISHED. RELEASED FOR PUBLICATION

© COPYRIGHT - By - ALL RIGHTS RESERVED.

| | |
|-------------|-------------------------|
| PROJECT | PRJ-16-000909157 |
| PART NO. | X-2308340-X |
| DESCRIPTION | FULL METAL HOODS SIZE 1 |
| CUSTOMER | GENERAL MARKET |

| REVISIONS | | | | | |
|-----------|-----|---------------------------|-----------|-----|------|
| P | LTR | DESCRIPTION | DATE | DWN | APVD |
| | A1 | REVISED PER ECR-16-013123 | 19SEP2016 | KK | GG |

D

C

B

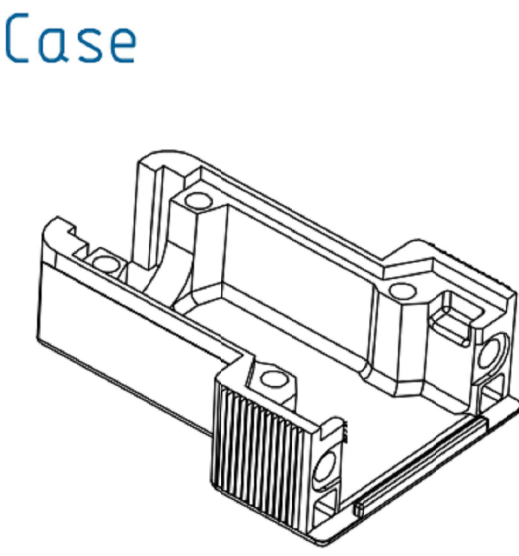
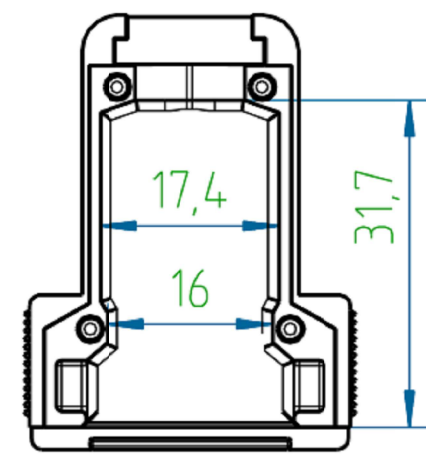
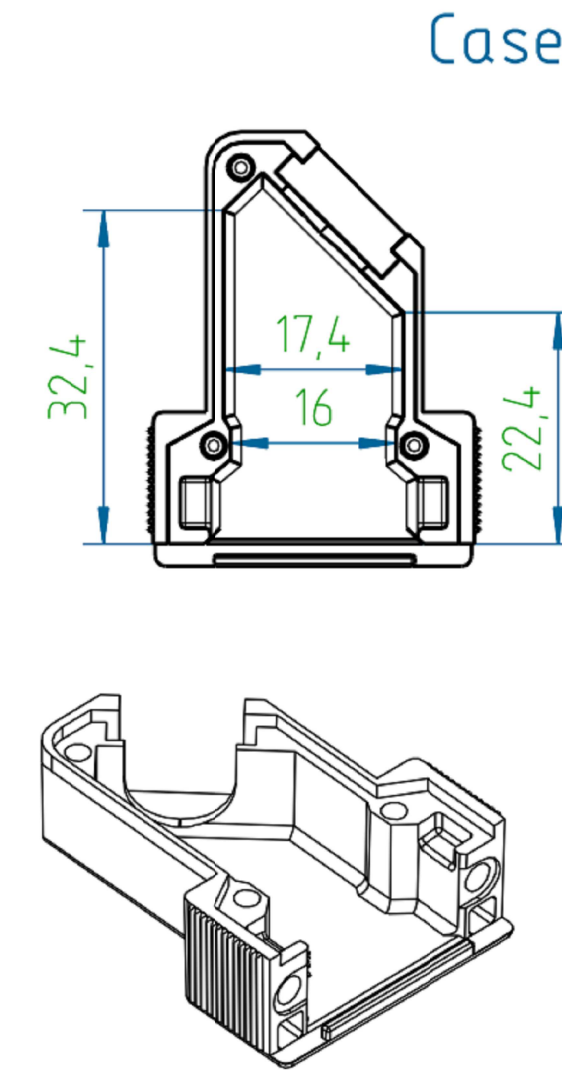
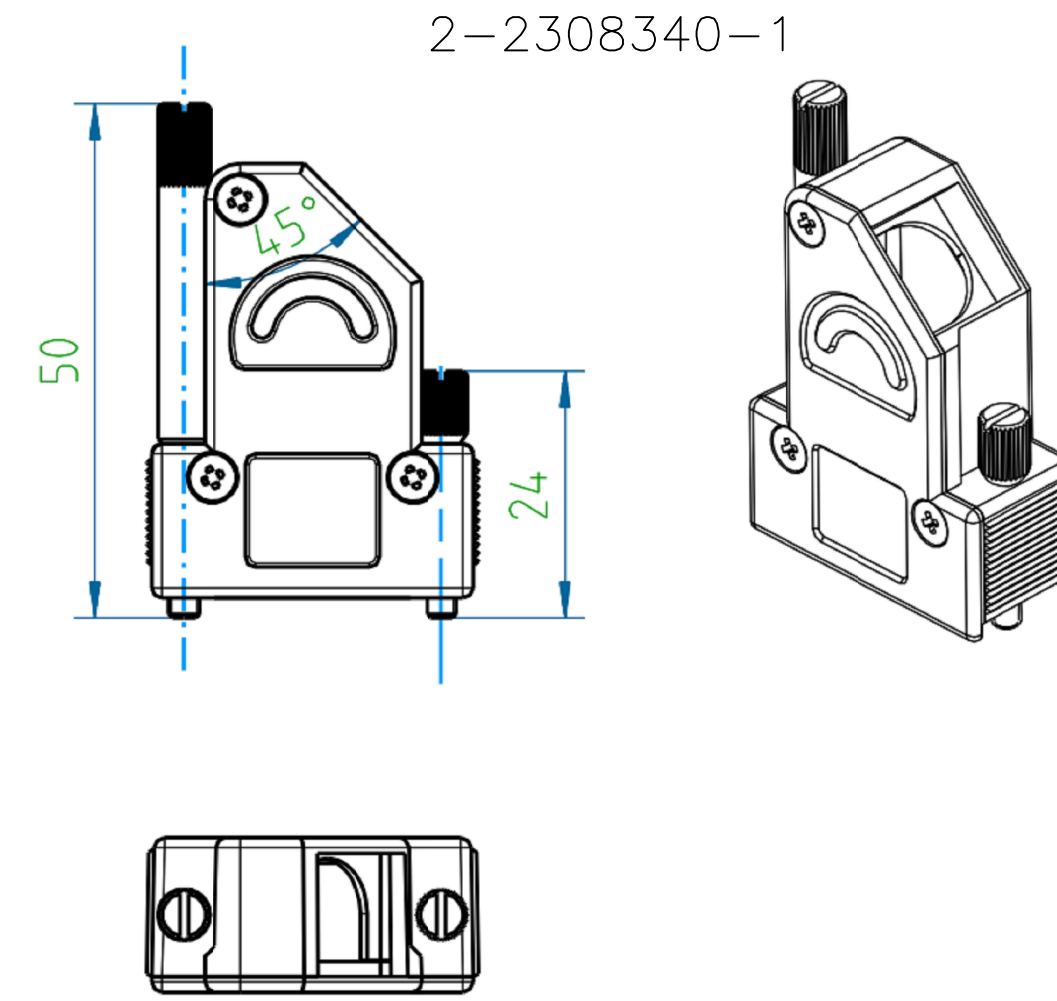
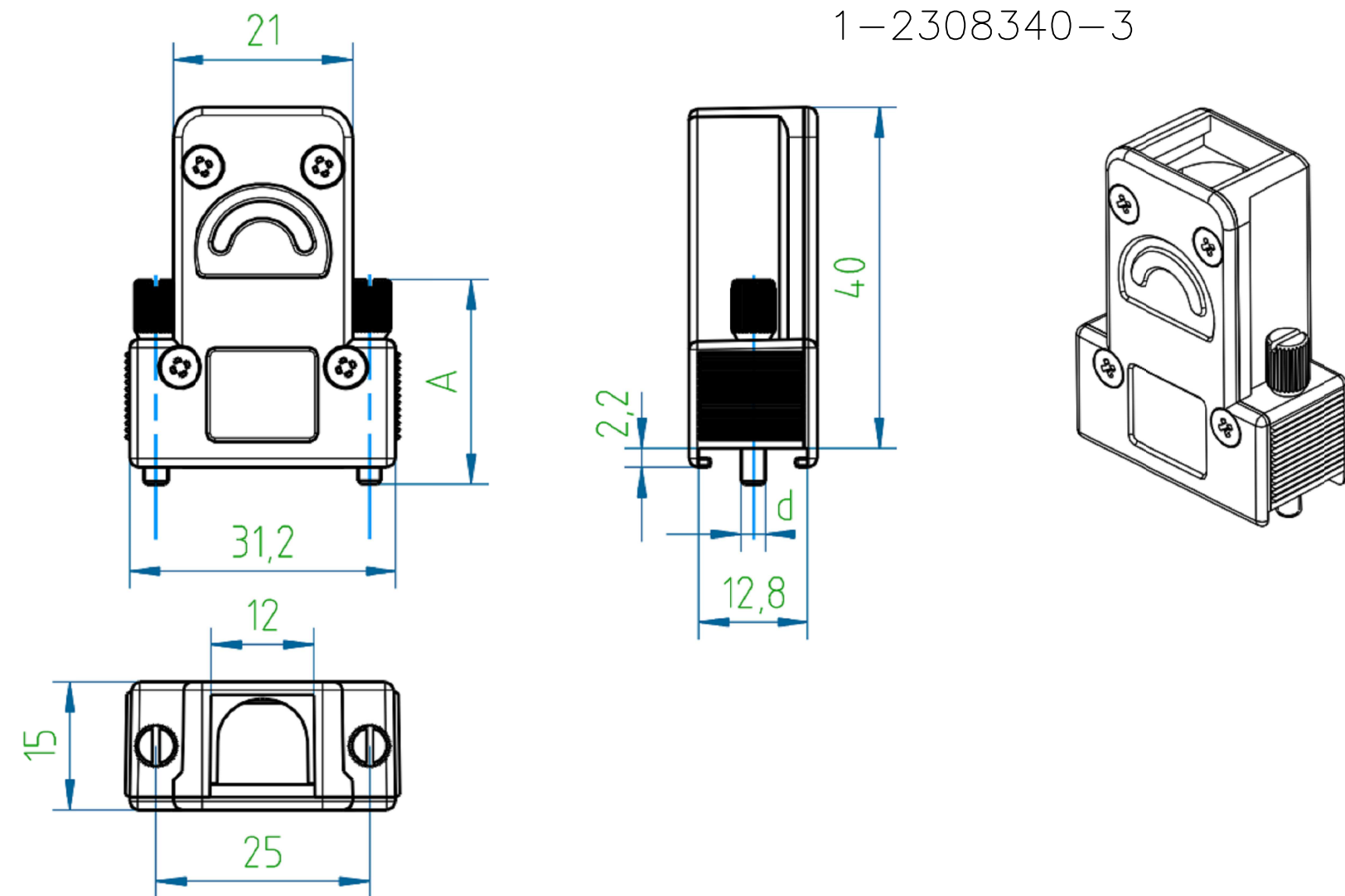
A

D

C

B

A



NOTES:

- FINISH:
1-2308340-1 TO 2-2308340-2 - CASE RAW.
2-2308340-3 TO 3-2308340-4 - CASE NICKEL-PLATED.
- LOCKING SCREWS: NICKEL-PLATED
OTHER SCREWS: ZINC-PLATED
- TEMPERATURE RANGE: -40°C TO +90°C
- CABLE DIAMETER WITH EXTERNAL DIAMETER CABLE CLAMP: 4-14 mm.
- STRAND DIAMETER OF CRIMP FLANGE: 2.7-8.7 mm.

| | | | | |
|--|--|-----------------------------------|-------------------------|--|
| THIS DRAWING IS A CONTROLLED DOCUMENT. | | DWN KIRAN K 02AUG2016 | TE Connectivity | |
| DIMENSIONS: mm | | CHK GUNASEKHAR G 02AUG2016 | | |
| TOLERANCES UNLESS OTHERWISE SPECIFIED: DIN ISO 2768-m DIN 16901 130B | | APVD GUNASEKHAR G 02AUG2016 | PRODUCT SPEC | |
| | | APPLICATION SPEC | | |
| MATERIAL | | WEIGHT | SIZE A2 | |
| | | CUSTOMER DRAWING | CAGE CODE 00779 | |
| | | SCALE NTS | DRAWING NO G=2308340 | |
| | | SHEET 1 of 2 | RESTRICTED TO - | |
| | | REV A1 | | |

THIS DRAWING IS UNPUBLISHED. RELEASED FOR PUBLICATION
 © COPYRIGHT - By - ALL RIGHTS RESERVED.

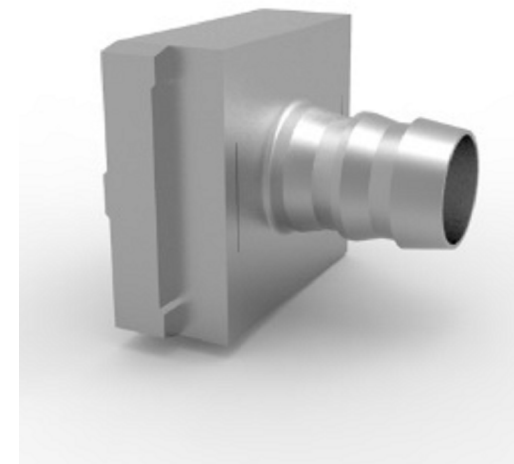
| REVISIONS | | | | | |
|-----------|-----|-------------|------|-----|------|
| P | LTR | DESCRIPTION | DATE | DWN | APVD |
| - | - | SEE SHEET 1 | - | - | - |

| PART NO. | DESCRIPTION | PART NO. | DESCRIPTION | SUB-PART NO. | DESCRIPTION | S OVER | M3 | WEIGHT, g |
|---------------------|--------------------------|--------------|---------------------------|----------------|--|---------------------------------------|----------|-----------|
| - | - | 2-2308340-2 | FULL METAL HOODS SIZE1-12 | 1-2308334-6 | 1-2308334-4 | LOCKING SCREW (M3 LONG KNURLED) | M3 | 43 |
| - | - | 2-2308340-1 | FULL METAL HOODS SIZE1-11 | 1-2308334-5 | 1-2308334-3 | LOCKING SCREW (4-40 UNC LONG KNURLED) | 4-40 UNC | 43 |
| 1-2308340-6 | FULL METAL HOODS SIZE1-6 | - | - | 1-2308334-6 | LOCKING SCREW (M3 LONG KNURLED) | 50.0 | M3 | 47 |
| 1-2308340-5 | FULL METAL HOODS SIZE1-5 | - | - | 1-2308334-5 | LOCKING SCREW (4-40 UNC LONG KNURLED) | 50.0 | 4-40 UNC | 47 |
| 1-2308340-4 | FULL METAL HOODS SIZE1-4 | 2-2308340-0 | FULL METAL HOODS SIZE1-10 | 1-2308334-4 | LOCKING SCREW (M3 SHORT KNURLED) | 24.0 | M3 | 39 |
| 1-2308340-3 | FULL METAL HOODS SIZE1-3 | 1-2308340-9 | FULL METAL HOODS SIZE1-9 | 1-2308334-3 | LOCKING SCREW (4-40 UNC SHORT KNURLED) | 24.0 | 4-40 UNC | 39 |
| 1-2308340-2 | FULL METAL HOODS SIZE1-2 | 1-2308340-8 | FULL METAL HOODS SIZE1-8 | 1-2308334-2 | LOCKING SCREW (M3 W/SPRING WASHER) | 20.7 | M3 | 38 |
| 1-2308340-1 | FULL METAL HOODS SIZE1-1 | 1-2308340-7 | FULL METAL HOODS SIZE1-7 | 1-2308334-1 | LOCKING SCREW (4-40 UNC W/SPRING WASHER) | 20.7 | 4-40 UNC | 38 |
| VERSION 180* | | VERSION 135* | | LOCKING SCREWS | | A | d | WEIGHT, g |
| PART NO. (CASE RAW) | | | | | | | | |

| PART NO. | DESCRIPTION | PART NO. | DESCRIPTION | SUB-PART NO. | DESCRIPTION | S OVER | M3 | WEIGHT, g |
|---------------------------|---------------------------|--------------|---------------------------|----------------|--|---------------------------------------|----------|-----------|
| - | - | 3-2308340-4 | FULL METAL HOODS SIZE1-24 | 1-2308334-6 | 1-2308334-4 | LOCKING SCREW (M3 LONG KNURLED) | M3 | 43 |
| - | - | 3-2308340-3 | FULL METAL HOODS SIZE1-23 | 1-2308334-5 | 1-2308334-3 | LOCKING SCREW (4-40 UNC LONG KNURLED) | 4-40 UNC | 43 |
| 2-2308340-8 | FULL METAL HOODS SIZE1-18 | - | - | 1-2308334-6 | LOCKING SCREW (M3 LONG KNURLED) | 50.0 | M3 | 47 |
| 2-2308340-7 | FULL METAL HOODS SIZE1-17 | - | - | 1-2308334-5 | LOCKING SCREW (4-40 UNC LONG KNURLED) | 50.0 | 4-40 UNC | 47 |
| 2-2308340-6 | FULL METAL HOODS SIZE1-16 | 3-2308340-2 | FULL METAL HOODS SIZE1-22 | 1-2308334-4 | LOCKING SCREW (M3 SHORT KNURLED) | 24.0 | M3 | 39 |
| 2-2308340-5 | FULL METAL HOODS SIZE1-15 | 3-2308340-1 | FULL METAL HOODS SIZE1-21 | 1-2308334-3 | LOCKING SCREW (4-40 UNC SHORT KNURLED) | 24.0 | 4-40 UNC | 39 |
| 2-2308340-4 | FULL METAL HOODS SIZE1-14 | 3-2308340-0 | FULL METAL HOODS SIZE1-20 | 1-2308334-2 | LOCKING SCREW (M3 W/SPRING WASHER) | 20.7 | M3 | 38 |
| 2-2308340-3 | FULL METAL HOODS SIZE1-13 | 2-2308340-9 | FULL METAL HOODS SIZE1-19 | 1-2308334-1 | LOCKING SCREW (4-40 UNC W/SPRING WASHER) | 20.7 | 4-40 UNC | 38 |
| VERSION 180* | | VERSION 135* | | LOCKING SCREWS | | A | d | WEIGHT, g |
| PART NO. (CASE Ni-PLATED) | | | | | | | | |

NOTE:

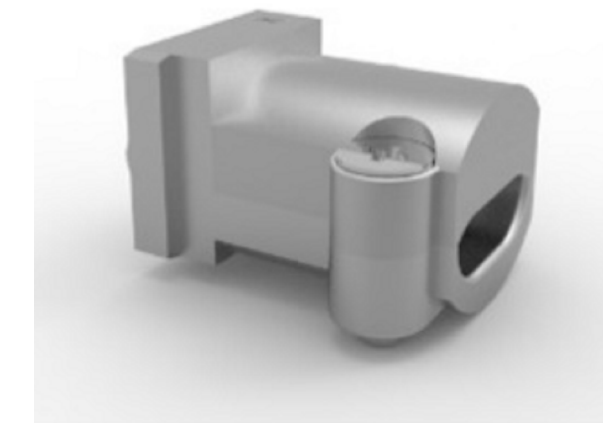
- * CRIMP FLANGE PN *-2308349-* TO BE ORDERED SEPARATELY.
- * CRIMP BARREL TO BE USED IN COMBINATION WITH THE FLANGE PN *-2308350-* TO BE ORDERED SEPARATELY.
- * CABLE CLAMP SCREW VERSION PN *-2308272-* TO BE ORDERED SEPARATELY.



CRIMP FLANGE



CRIMP BARREL



CABLE CLAMP

| | | | | |
|--|--|--|-------------------------|---------------------------------|
| THIS DRAWING IS A CONTROLLED DOCUMENT. | | DWN KIRAN K 02AUG2016 | | |
| DIMENSIONS: mm | | CHK GUNASEKHAR G 02AUG2016 | | |
| | | TOLERANCES UNLESS OTHERWISE SPECIFIED: DIN ISO 2768-m DIN 16901 130B | | NAME FULL METAL HOODS SIZE 1 |
| MATERIAL | | APVD GUNASEKHAR G 02AUG2016 | PRODUCT SPEC | RESTRICTED TO |
| FINISH | | APPLICATION SPEC | SIZE A2 | CAGE CODE 00779 |
| | | WEIGHT | DRAWING NO G=2308340 | SCALE NTS |
| | | CUSTOMER DRAWING | SHEET 2 of 2 | REV A1 |