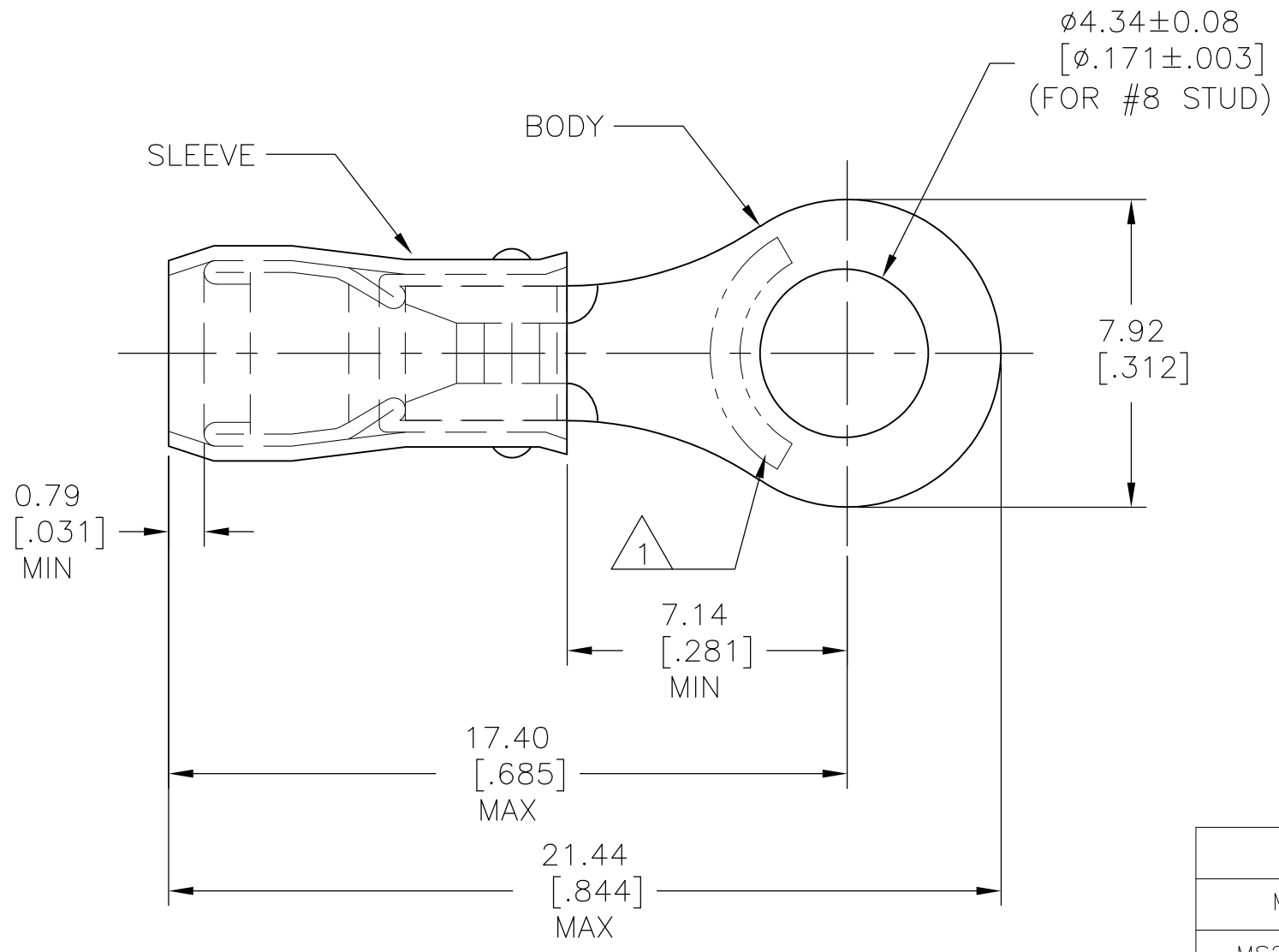


THIS DRAWING IS UNPUBLISHED. RELEASED FOR PUBLICATION  
 © COPYRIGHT - By - ALL RIGHTS RESERVED.

LOC	DIST	REVISIONS					
		P	LTR	DESCRIPTION	DATE	DWN	APVD
G	14		AA	REVISED PER ECO-14-015277	14FEB2015	NK	DR

<b>AMP</b> WIRE RANGE	E13288 Listed	LR7189 Certified
22-16 AWG SOLID OR STRANDED	22-16 AWG SOLID OR STRANDED	22-16 AWG SOLID OR STRANDED



- 1 STAMP AMP 22-18\* APPROX AS SHOWN  
22-16 TERMINALS ARE STAMPED 22-18 IN  
ACCORDANCE WITH MILITARY SPEC MIL-T-7928  
COMMERCIAL WIRE RANGE IS 22-16.
- 2 WIRE INSULATION DIA: 2.03-3.18[.080-.125].
- 3 TONGUE MATERIAL THK: 0.79±0.05[.031±.002].

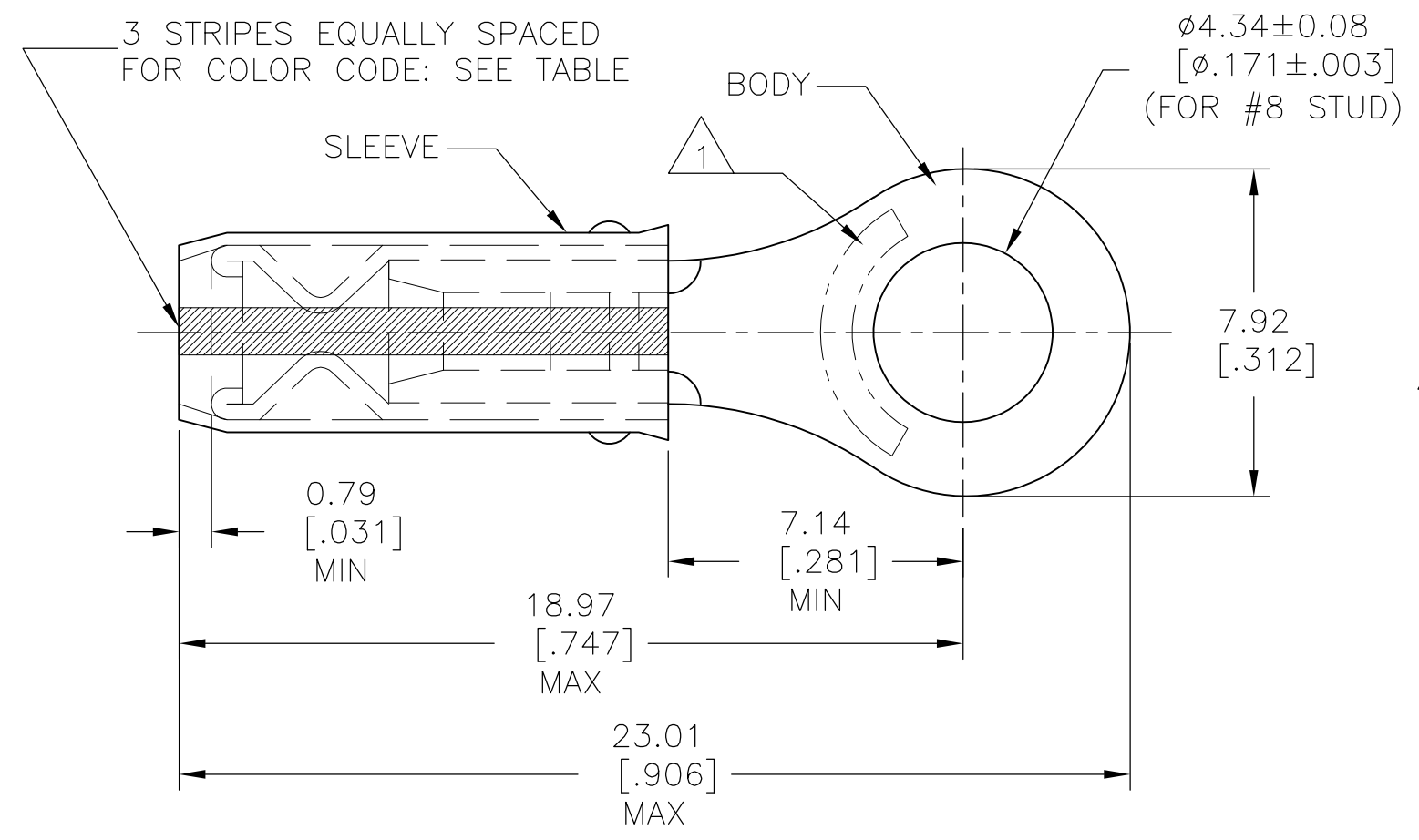
MILITARY P/N AND CLASS	QUANTITY	PACKAGE TYPE	PART NO
-	100	LOOSE PIECE, BOX	6-320551-1
MS25036-149 CLASS 2	5000	ON TAPE, REEL	1-320551-1
MS25036-149 CLASS 1 & 2	1000	LOOSE PIECE	320551

<b>AMP INCORPORATED CUSTOMER SERVICE SYSTEMS</b>		MAX RECOMMENDED OPERATING TEMPERATURE: 105°C[221°F]
FOR ADDITIONAL PRODUCT INFORMATION OR COPIES OF DRAWINGS AND TECHNICAL DOCUMENTS	PRODUCT INFORMATION CENTER 1-800-522-6752	VOLTAGE RATING: 300 V MAX
FOR APPLICATION TOOLING INFORMATION	TOOLING ASSISTANCE CENTER 1-800-722-1111	CIRCULAR MIL AREA: 0.26-1.65mm <sup>2</sup> [509-3,260] CIR MILS SOLID OR STRANDED
FOR ORDER ENTRY	1-800-526-5142	

THIS DRAWING IS A CONTROLLED DOCUMENT.		DWN DK SCHRUM 9/8/93	TE Connectivity	
DIMENSIONS: mm [INCHES]		CHK RE HERSEY 9/8/93		
TOLERANCES UNLESS OTHERWISE SPECIFIED:		APVD ML ELLIS 9/8/93	NAME TERMINAL, RING TONGUE, PIDG™, WIRE SIZE, 26-16 AWG	
0 PLC ± - 1 PLC ± - 2 PLC ± 0.20[.008] 3 PLC ± - 4 PLC ± - ANGLES ± -		PRODUCT SPEC UL 486A	SIZE A3	
MATERIAL COPPER PER ASTM B-152 SLEEVE, RED NYLON		APPLICATION SPEC NOT AVAILABLE	CAGE CODE 00779	DRAWING NO C-320551
FINISH TIN PLATE PER ASTM B545		WEIGHT -	RESTRICTED TO -	
CUSTOMER DRAWING		SCALE NTS		SHEET 1 OF 2
		REV AA		

THIS DRAWING IS UNPUBLISHED. RELEASED FOR PUBLICATION  
 © COPYRIGHT - By - ALL RIGHTS RESERVED.

LOC	DIST	REVISIONS			
P	LTR	DESCRIPTION	DATE	DWN	APVD
G	14	-	SEE SHEET 1	-	-



**AMP**  
WIRE RANGE  
SEE TABLE  
STRANDED

- 1 STAMP AMP APPROX AS SHOWN SEE TABLE BELOW.
- 2 WIRE INSULATION DIA: 0.97-2.79[.038-.110] FOR 22 AWG  
1.17-2.79[.046-.110] FOR 20 AWG  
1.42-2.79[.056-.110] FOR 18 AWG.
- 3 TONGUE MATERIAL THK: 0.79±0.05[.031±.002].

OBSOLETE

-	RED	20*	20	100	LOOSE PIECE, BOX	8-320551-1	
-	GREEN	22*	22	100	LOOSE PIECE, BOX	7-320551-1	
M7928/1-32 CLASS 2	WHITE	18*	18	5000	ON TAPE, REEL	1-320551-8	
-	RED	20*	20	5000	ON TAPE, REEL	1-320551-7	
M7928/1-14 CLASS 2	GREEN	22*	22	5000	ON TAPE, REEL	1-320551-5	
M7928/1-32 CLASS 1 & 2	WHITE	18*	18	1000	LOOSE PIECE	1-320551-4	
M7928/1-23 CLASS 1 & 2	RED	20*	20	1000	LOOSE PIECE	1-320551-3	
M7928/1-14 CLASS 1 & 2	GREEN	22*	22	1000	LOOSE PIECE	1-320551-2	
MILITARY P/N AND CLASS	STRIPE COLOR	1	STAMPING	WIRE SIZE	QUANTITY	PACKAGE TYPE	PART NO

**AMP INCORPORATED**  
CUSTOMER SERVICE SYSTEMS

FOR ADDITIONAL PRODUCT INFORMATION OR COPIES OF DRAWINGS AND TECHNICAL DOCUMENTS  
 PRODUCT INFORMATION CENTER  
1-800-522-6752

FOR APPLICATION TOOLING ASSISTANCE CENTER  
 TOOLING INFORMATION  
1-800-722-1111

FOR ORDER ENTRY  
 1-800-526-5142

MAX RECOMMENDED OPERATING TEMPERATURE:  
105°C[221°F]

VOLTAGE RATING: 300 V MAX

WIRE RANGE:	CIRC MIL AREA:
22	0.38mm <sup>2</sup> [754]
20	0.60mm <sup>2</sup> [1,186]
18	0.96mm <sup>2</sup> [1,900]

STRANDED

THIS DRAWING IS A CONTROLLED DOCUMENT.

DIMENSIONS: mm [INCHES]

TOLERANCES UNLESS OTHERWISE SPECIFIED:

0 PLC	± -
1 PLC	± -
2 PLC	± 0.20[.008]
3 PLC	± -
4 PLC	± -
ANGLES	± -

MATERIAL: COPPER PER ASTM B-152 SLEEVE, RED NYLON

FINISH: TIN PLATE PER ASTM B545

DWN DK SCHRUM 9/8/93  
 CHK RE HERSEY 9/8/93  
 APVD ML ELLIS 9/8/93

**STE** TE Connectivity

NAME: TERMINAL, RING TONGUE, I.R., PIDG™ WIRE SIZE, 22-16 AWG

APPLICATION SPEC: NOT AVAILABLE

WEIGHT: -

SIZE: A3 CAGE CODE: 00779 DRAWING NO: C-320551 RESTRICTED TO: -

CUSTOMER DRAWING SCALE: NTS SHEET: 2 OF 2 REV: AA