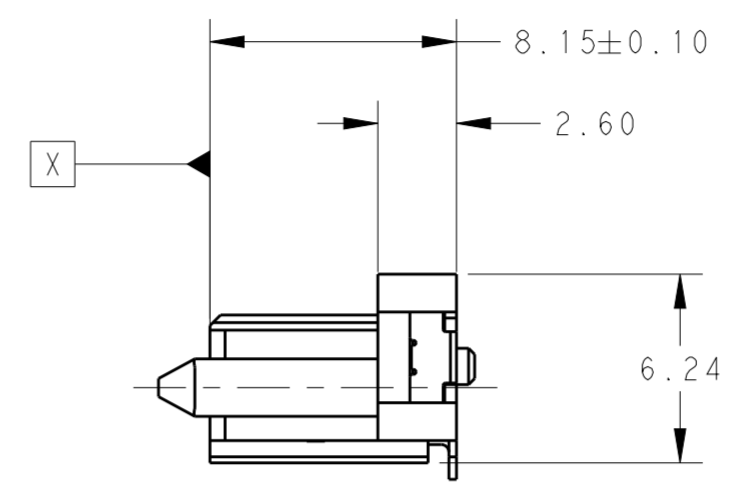
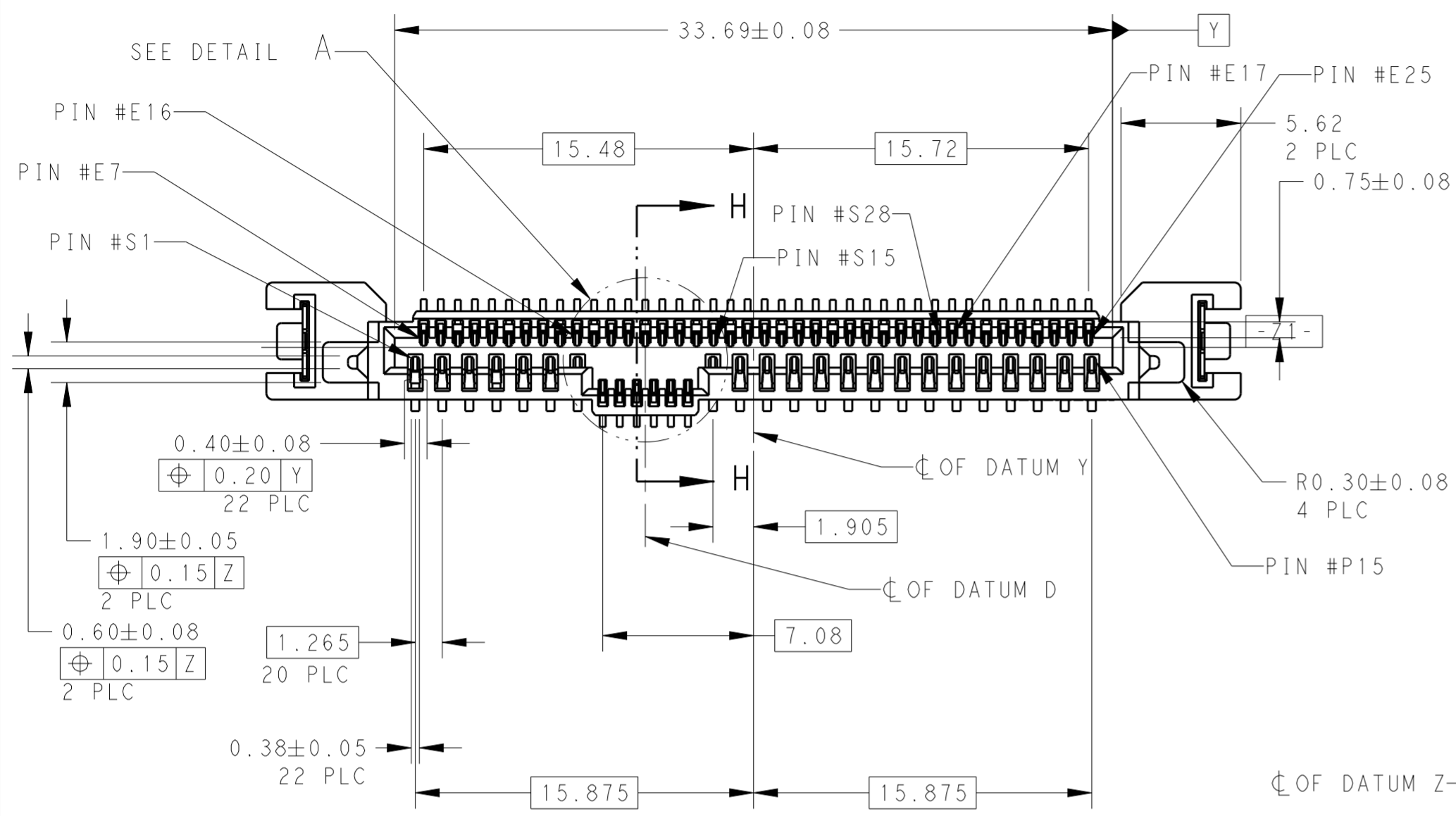
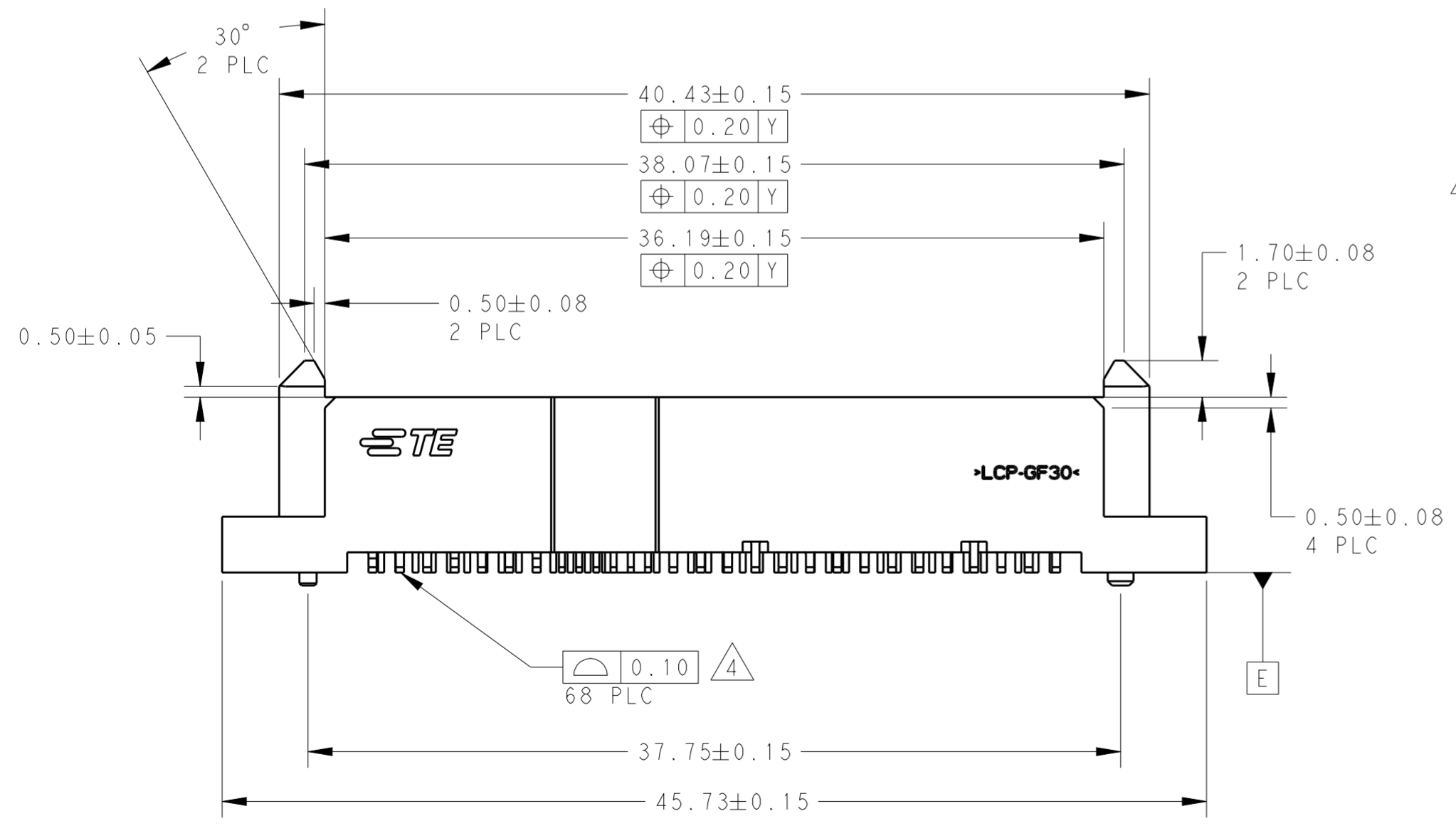
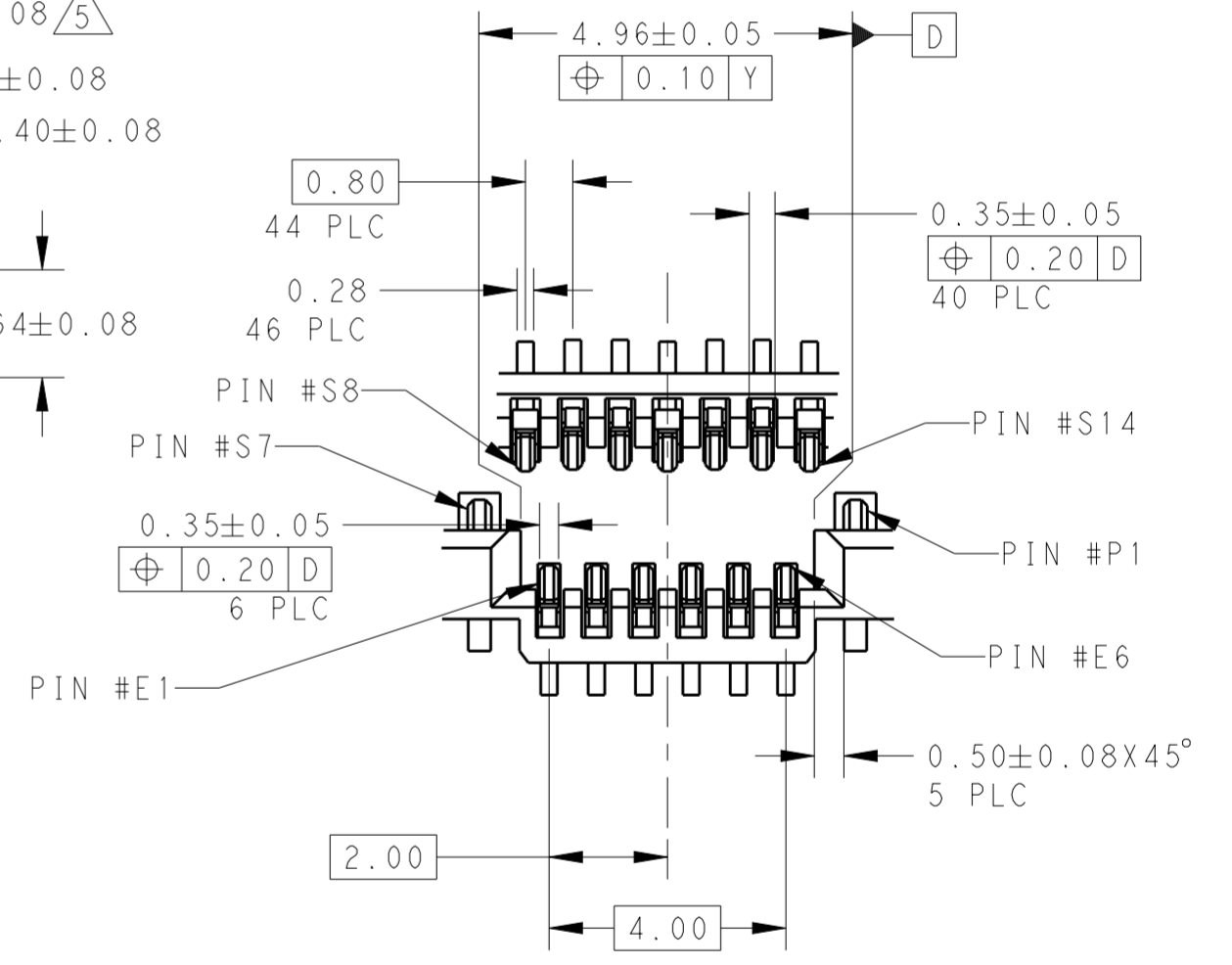
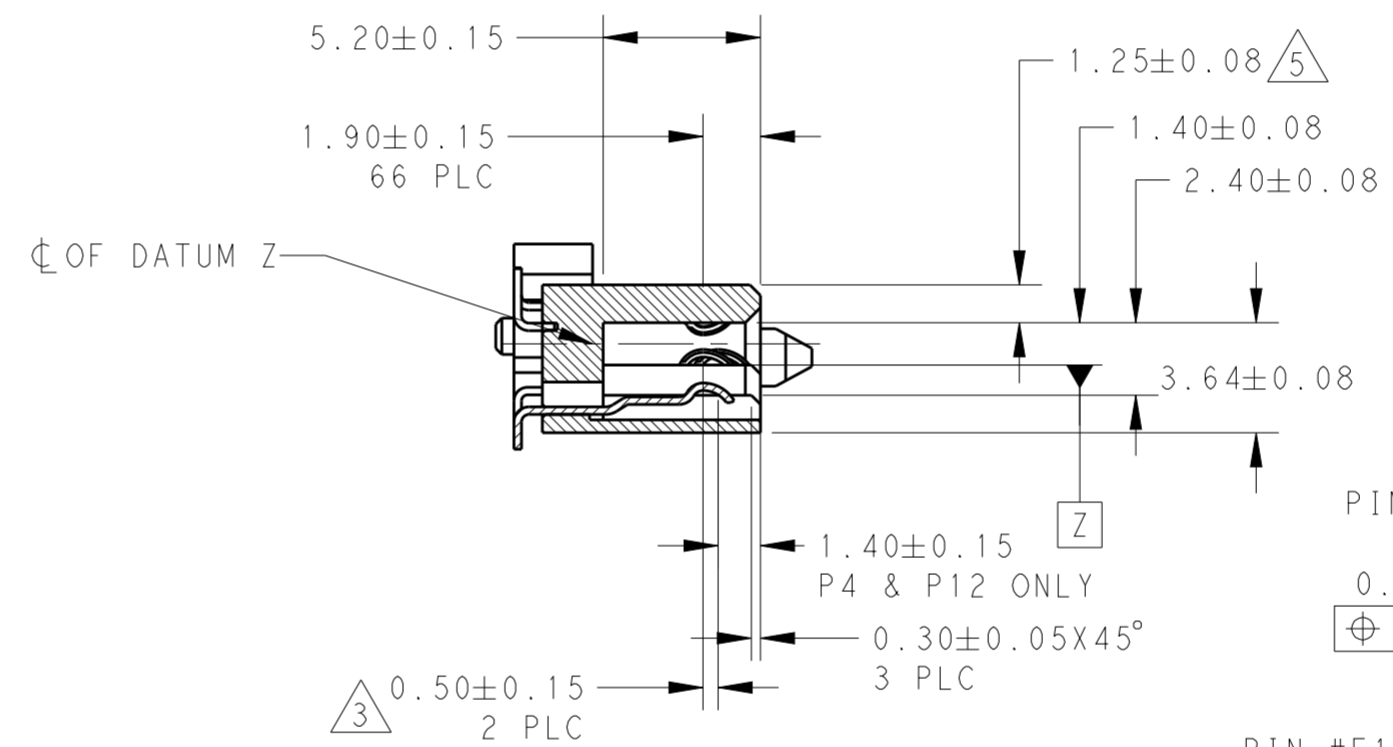


THIS DRAWING IS UNPUBLISHED. RELEASED FOR PUBLICATION 20  
 © COPYRIGHT 20 BY - ALL RIGHTS RESERVED.

REVISIONS					
P	LTR	DESCRIPTION	DATE	DWN	APVD
	A	RELEASED FOR PRODUCTION	30DEC2015	TX	SH



- NOTES:
- MATERIAL:  
HOUSING: HIGH TEMP THERMOPLASTIC, UL94V-0,  
COLOR:BLACK  
CONTACT: COPPER ALLOY  
BOARDLOCK: COPPER ALLOY
  - FINISH:  
CONTACT AREA:  
MIN 0.76µm GOLD PLATING  
SOLDERTAIL: MIN 2.54µm MATTE TIN PLATING  
UNDERPLATE: MIN 1.27µm NICKEL PLATING
  - PIN #P4 AND #P12 ONLY
  - SOLDERTAIL TO BE 0.05 MAX ABOVE  
AND 0.10 MAX BELOW DATUM E
  - 1.33 MAX MEASURED AT DATUM C



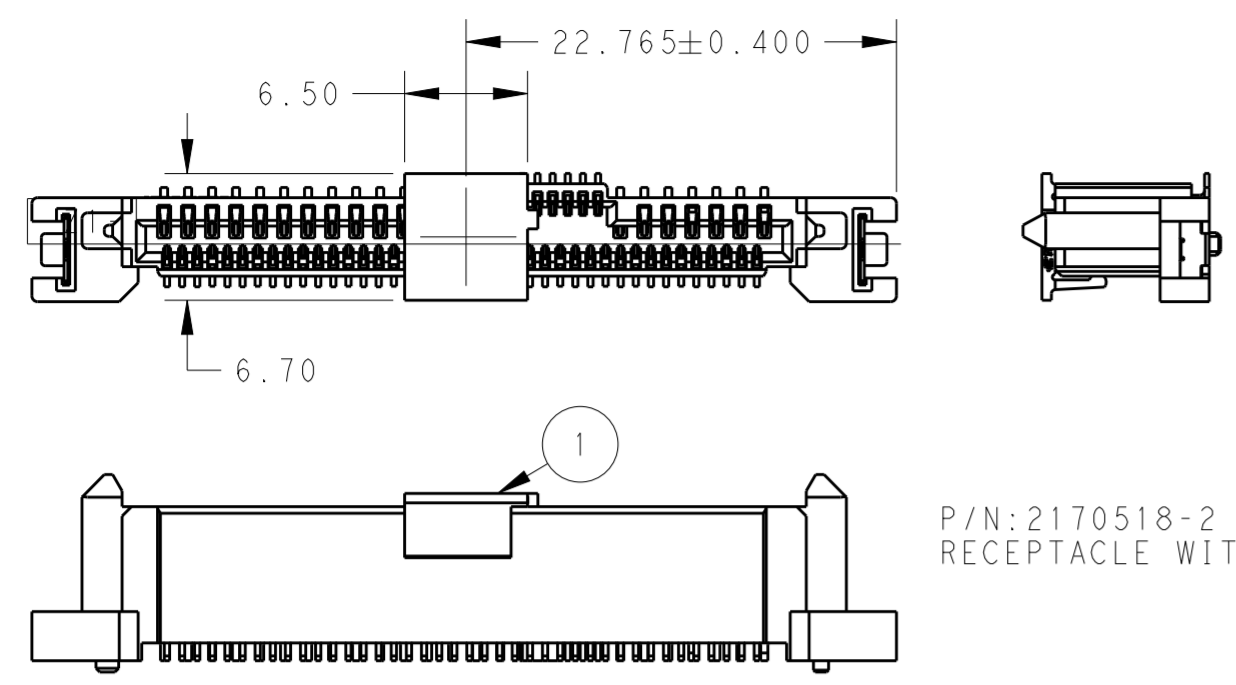
TRAY	YES	2170518-3
TAPE & REEL	YES	2170518-2
TRAY	NO	2170518-1
PACKAGING	PICK-UP CAP (1)	PART NUMBER

THIS DRAWING IS A CONTROLLED DOCUMENT.

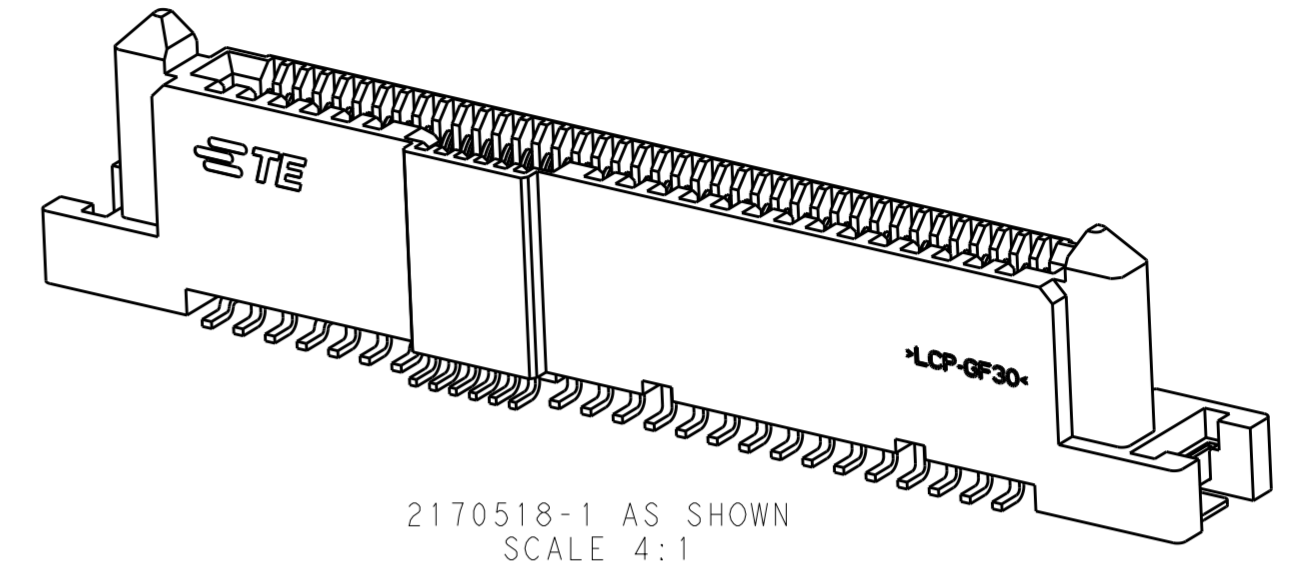
DIMENSIONS:	TOLERANCES UNLESS OTHERWISE SPECIFIED:	DWN BING LIU 10APR2013	TE Connectivity 12G SAS/PCIE COMBO RECEPTACLE (WITH SMT HOLDDOWNS) 15P+7P+6P+40P
mm	0 PLC ±	CHK JASON YANG 10APR2013	
	1 PLC ±0.20	APVD ALEX CAI 10APR2013	
	2 PLC ±0.20	PRODUCT SPEC 108-51109	
	3 PLC ±0.20	APPLICATION SPEC 114-60017	SIZE CAGE CODE DRAWING NO RESTRICTED TO
MATERIAL	4 PLC ±	WEIGHT -	A200779 C-2170518
	ANGLES ±3°	CUSTOMER DRAWING	SCALE 2:1 SHEET 1 OF 2 REV A
	FINISH		

THIS DRAWING IS UNPUBLISHED. RELEASED FOR PUBLICATION 20  
 © COPYRIGHT 20 BY - ALL RIGHTS RESERVED.

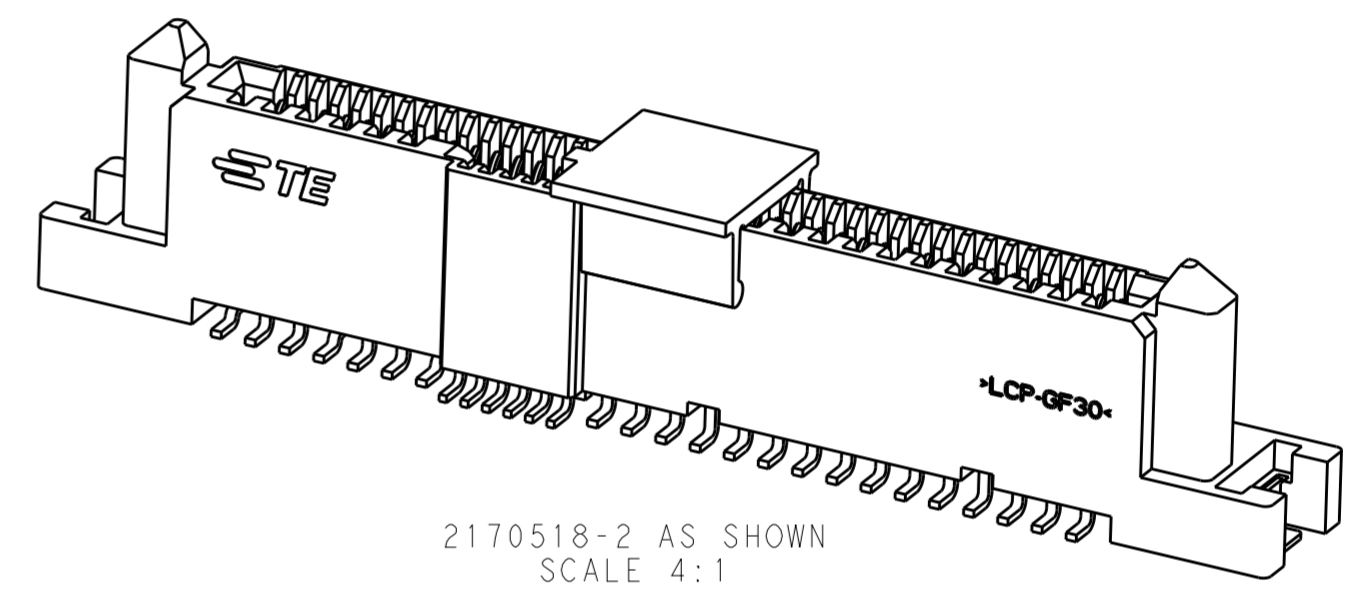
LOC		DIST		REVISIONS			
P	LTR	DESCRIPTION		DATE	DWN	APVD	
-	-	SEE SHEET 1		-	-	-	



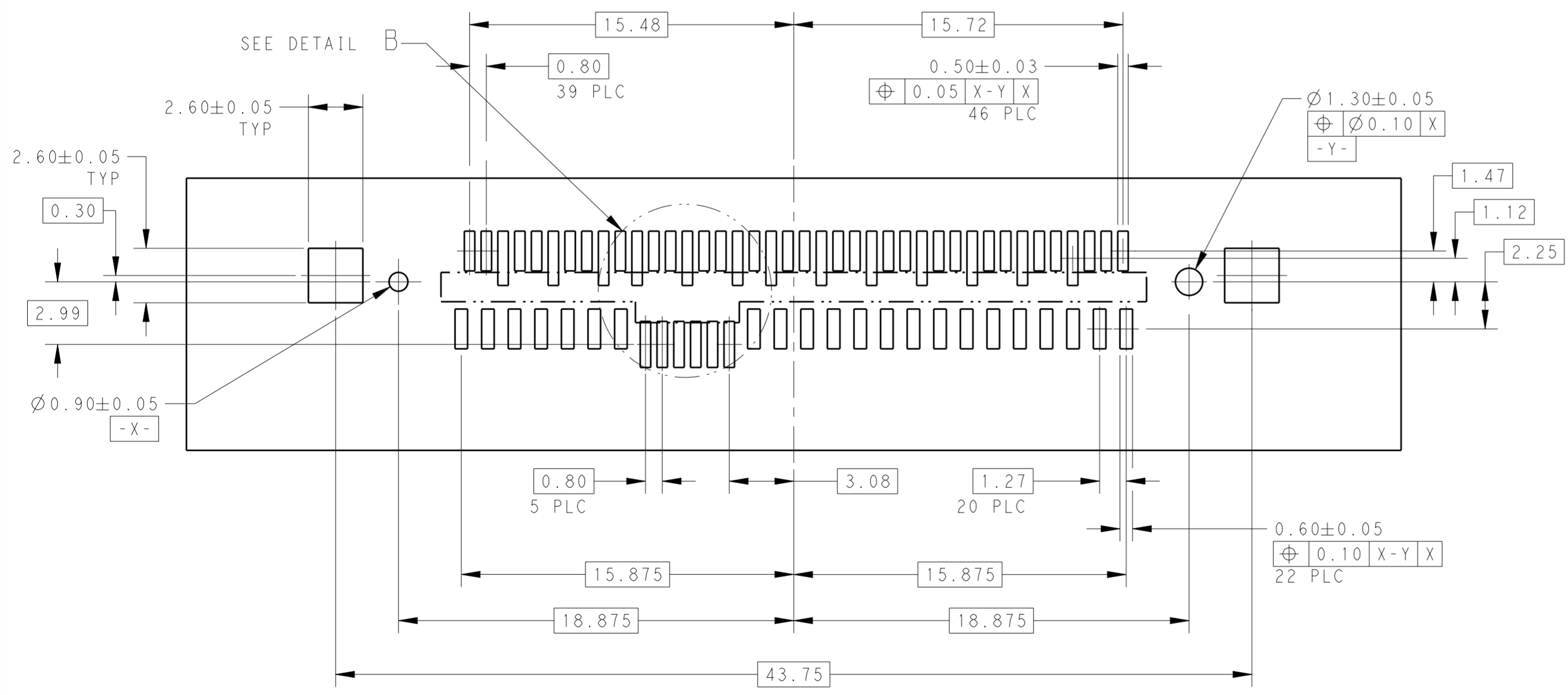
P/N: 2170518-2 AS SHOWN  
 RECEPTACLE WITH PICK-UP CAP



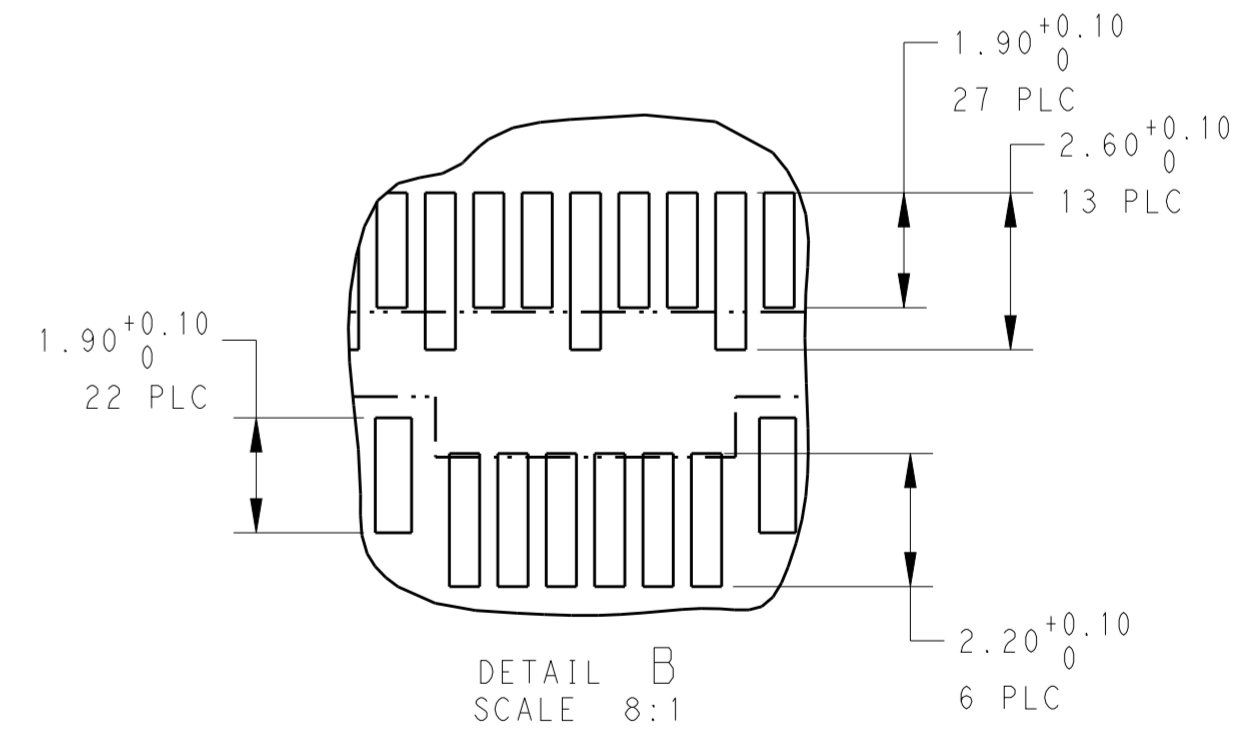
2170518-1 AS SHOWN  
 SCALE 4:1



2170518-2 AS SHOWN  
 SCALE 4:1



RECOMMENDED RECEPTACLE BOARD LAYOUT  
 SCALE 5:1



DETAIL B  
 SCALE 8:1

THIS DRAWING IS A CONTROLLED DOCUMENT.		DWN BING LIU 10APR2013	TE Connectivity	
DIMENSIONS: mm		CHK JASON YANG 10APR2013		
TOLERANCES UNLESS OTHERWISE SPECIFIED:		APVD ALEX CAI 10APR2013	NAME 12G SAS/PCIe COMBO RECEPTACLE (WITH SMT HOLDDOWNS) 15P+7P+6P+40P	
0 PLC ±		PRODUCT SPEC 108-51109	SIZE A200779	
1 PLC ±0.20		APPLICATION SPEC 114-60017	DRAWING NO C-2170518	
2 PLC ±0.20		WEIGHT	RESTRICTED TO	
3 PLC ±0.20		CUSTOMER DRAWING	SCALE 2:1 SHEET 1 OF 2 REV A	
4 PLC ±				
ANGLES ±3°				
FINISH				
material_2		finish_spec_2		