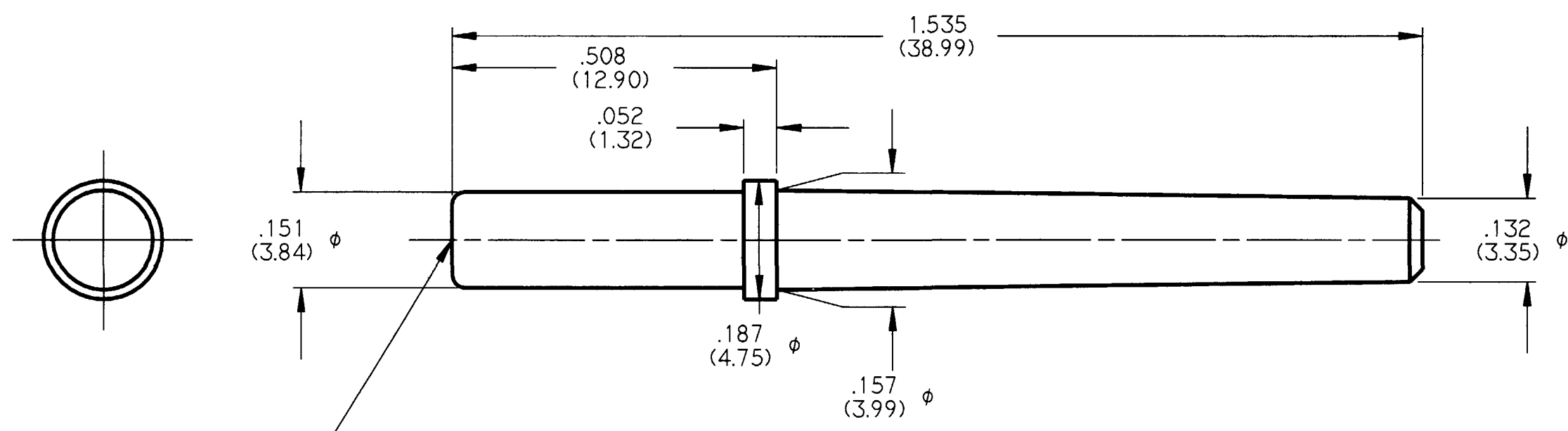


REV NC	0413-214-1205	REVISIONS		
SYM	DESCRIPTION	DATE	APPROVED	
NC	NEW RELEASE PER E.O. A14921	10-31-95	ROR	



LOADING INFO:
THIS END TO BE SEEN IN CAVITY
FROM THE FRONT OF CONNECTOR.

NOTES:
1. COLOR: BRIGHT YELLOW.
2. DIMENSIONS ARE FOR REFERENCE ONLY IN INCHES (METRIC).

SIGNATURE & DATE	
DR	V.TOMSA OCT-27-95.
CHK	
PE	<i>[Signature]</i> 10-31-95
APPD	<i>[Signature]</i> 10-31-95
SCALE 5X	WT

KEYING PIN
SIZE 12
HD SERIES

ENVELOPE

CP	MATL CODE
The Deutsch Company DEUTSCH I.P.D. 37140 INDUSTRIAL AVE. HEMET, CALIF. 92343	
B 0413-214-1205	
DWG SIZE	CODE 11139 SHEET 1 OF 1