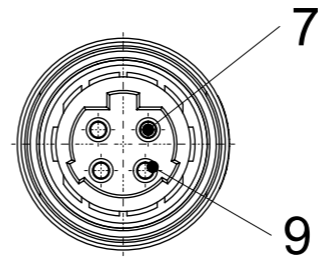
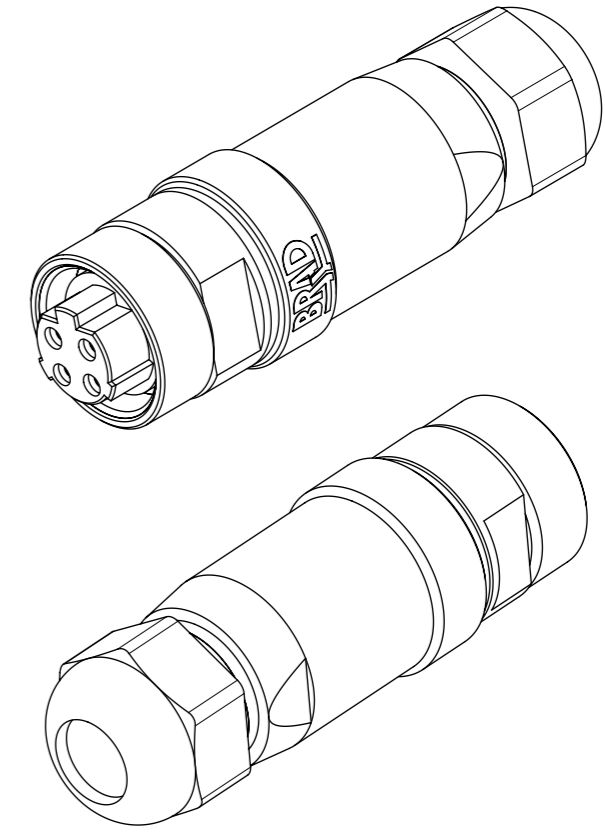


BACK SIDE INSERT ONLY A1



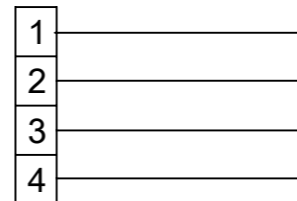
FEMALE FACE VIEW



NOTES:

- ELECTRICAL SPECIFICATION
 VOLTAGE RATING: 600VAC
 AMPERAGE RATING: max.15 AMPS
 PROTECTION: IP67
 OPERATING TEMPERATURE: -20°C TO +80°C
 FINAL OPERATING TEMPERATURE NEEDS TO BE CONFIRMED
- UL CERTIFICATION: UL LISTED AND CULUS LISTED.
 FILE NUMBER E258922
- ENGINEERING NUMBER: 1A4100-34PWR

WIRING CHART



ITEM	QTY	COMPONENT	MATERIAL	FINISH
1	1	HUT NUT PG 13.5	PA, BLACK	-
2	1	GASKET MO	NITRILE, BLACK	-
3	1	INSERT FE REAR	PA, BLACK	-
4	1	INSERT FE FRONT	SANTOPRENE, BLACK	-
5	1	GASKET OR	NBR, BLACK	-
6	1	COUPLING NUT	BRASS	Ni PLATED
7	4	CONTACT FE	BRASS	AU PLATED
8	4	SCREW M3x5	BRASS	ZN
9	4	SLEEVE	STAINLESS STEEL 305	-
10	1	HOUSING FA	PA, BLACK	-
11	1	POLYBAG 200x200x0.050	PE	-

RELEASE STATUS P1 RELEASE DATE 25.10.2017 08.25.14

QUALITY SYMBOLS ▽ = 0 ▽ = 0 ▽ = 0 ▽ = 0 ▽ = 0 ▽ = 0 ▽ = 0 ▽ = 0 ▽ = 0 ▽ = 0 ▽ = 0	THIS DRAWING CONTAINS INFORMATION THAT IS PROPRIETARY TO MOLEX ELECTRONIC TECHNOLOGIES, LLC AND SHOULD NOT BE USED WITHOUT WRITTEN PERMISSION		DIMENSION UNITS SCALE mm 1:1			
	EC NO: 167046 DRWN: RSCHIEBER CHK'D: BBRAUCH REV APPR:	GENERAL TOLERANCES (UNLESS SPECIFIED) ANGULAR TOL ± 1.0 °	DRWN BY DATE RSCHIEBER 2016/01/25	FA MC 4P OC FE STR PG13.5 UNSH BK PA AU		
		4 PLACES ± 3 PLACES ± 2 PLACES ± 0.05 1 PLACE ± 0.3 0 PLACES ± 0.5	CHK'D BY DATE JALEXANDER 2016/03/16	PRODUCT CUSTOMER DRAWING		
	DRAFT WHERE APPLICABLE MUST REMAIN WITHIN DIMENSIONS	DRAWING SIZE THIRD ANGLE PROJECTION A3	SERIES MATERIAL NUMBER CUSTOMER 130017 1300170065	DOCUMENT NUMBER DOC TYPE DOC PART SHEET NUMBER 1300170065 PSD 000 1 OF 1		