

PLEASE CHECK WWW.MOLEX.COM FOR LATEST PART INFORMATION

Part Number: [62201-8833](#)
Status: **Active**
Description: Impact™ Backplane Module Installation Press-In Tool

Documents:
[RoHS Certificate of Compliance \(PDF\)](#)

General

Product Family	Application Tooling
Series	T9999
Comments	See Tooling Specification (PDF) Above
Function	Insertion
Geographic Area	Global
Level of Automation	Manual
More Detailed Tech Information	applicationtooling@molex.com
Product Name	Impact™
Survey	www.molex.com//review/apptool_survey.html
Tool Type	Handtool
UPC	887191002989

Material Info

Reference - Drawing Numbers

Application Tooling Documents	ATS-622018833
-------------------------------	---------------

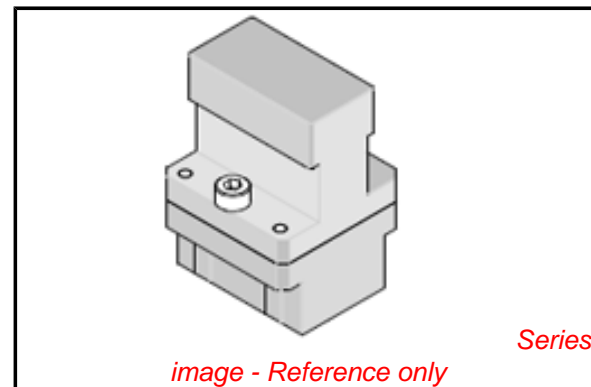


image - Reference only

EU RoHS

**ELV and RoHS
Compliant**

REACH SVHC

Not Reviewed

Low-Halogen Status

Not Reviewed

China RoHS



**Need more information on product
environmental compliance?**

Email productcompliance@molex.com
 For a multiple part number RoHS Certificate of
 Compliance, [click here](#)

Please visit the [Contact Us](#) section for any
 non-product compliance questions.

Search Parts in this Series

T9999Series

Use With

Impact™ Backplane Signal Module
 Assembly, 4-Pair by 12 Column 85 Ohm
 Assemblies [170335](#) , [170515](#)